



# **AMD Radeon™ HD 7900 Series**

User Guide

© 2013 Advanced Micro Devices Inc. All rights reserved.

The contents of this document are provided in connection with Advanced Micro Devices, Inc. ("AMD") products. AMD makes no representations or warranties with respect to the accuracy or completeness of the contents of this publication and reserves the right to discontinue or make changes to products, specifications, product descriptions or documentation at any time without notice. The information contained herein may be of a preliminary or advance nature. No license, whether express, implied, arising by estoppel or otherwise, to any intellectual property rights is granted by this publication. Except as set forth in AMD's Standard Terms and Conditions of Sale, AMD assumes no liability whatsoever, and disclaims any express or implied warranty, relating to its products including, but not limited to, the implied warranty of merchantability, fitness for a particular purpose, or infringement of any intellectual property right.

AMD's products are not designed, intended, authorized or warranted for use as components in systems intended for surgical implant into the body, or in other applications intended to support or sustain life, or in any other application in which the failure of AMD's product could create a situation where personal injury, death, or severe property or environmental damage may occur. AMD reserves the right to discontinue or make changes to its products at any time without notice.

## Trademarks

AMD, the AMD Arrow logo, AMD Athlon, AMD Catalyst, AMD CrossFire, AMD Radeon, Catalyst Control Center, HydraVision, SurroundView, and combinations thereof are trademarks of Advanced Micro Devices, Inc. HDMI is a licensed trademark of HDMI Licensing, LLC.

Pentium is a registered trademark of Intel Corporation or its subsidiaries in the United States and other countries.

Linux is a registered trademark of Linus Torvalds.

Windows and Windows Vista are registered trademarks of the Microsoft Corporation in the United States and/or other jurisdictions.

PCIe is a registered trademark of PCI-SIG.

Other product names used in this publication are for identification purposes only and may be trademarks of their respective companies.

Dolby Laboratories, Inc.

Manufactured under license from Dolby Laboratories.

Rovi Corporation

This device is protected by U.S. patents and other intellectual property rights. The use of Rovi Corporation's copy protection technology in the device must be authorized by Rovi Corporation and is intended for home and other limited pay-per-view uses only, unless otherwise authorized in writing by Rovi Corporation.

Reverse engineering or disassembly is prohibited.

USE OF THIS PRODUCT IN ANY MANNER THAT COMPLIES WITH THE MPEG-2 STANDARD IS EXPRESSLY PROHIBITED WITHOUT A LICENSE UNDER APPLICABLE PATENTS IN THE MPEG-2 PATENT PORTFOLIO, WHICH LICENSE IS AVAILABLE FROM MPEG LA, L.L.C., 6312 S. FIDDLERS GREEN CIRCLE, SUITE 400E, GREENWOOD VILLAGE, COLORADO 80111.

## Disclaimer

While every precaution has been taken in the preparation of this document, Advanced Micro Devices, Inc. assumes no liability with respect to the operation or use of AMD hardware, software or other products and documentation described herein, for any act or omission of AMD concerning such products or this documentation, for any interruption of service, loss or interruption of business, loss of anticipatory profits, or for punitive, incidental or consequential damages in connection with the furnishing, performance, or use of the AMD hardware, software, or other products and documentation provided herein. Ensure that you have the latest documentation.

---

## Important Safety Instructions

**Note:** This product is for use only with compatible UL-listed personal computers that have installation instructions detailing user installation of this class of product.

**Read all instructions before beginning installation.** All safety and installation instructions should be read before the product is installed or operated.

**Retain all instructions.** Safety, installation, and operating instructions should be retained for future reference.

**Heed all warnings.** All warnings regarding the product and its operating instructions should be obeyed.

**Use appropriate grounding.**

### Caution:

For continued protection against the risk of electric shock and fire, install this accessory only in products equipped with a three-wire grounding plug, a plug having a third (grounding) pin. This is a safety feature. Do not remove the grounding pin of a three-pin plug.

**Attach product securely.** All product-securing screws or fasteners should be completely tightened in order to provide continuous bonding between the product and the PC chassis, as appropriate.



# Contents

---

<b>Chapter 1 Getting Started</b> .....	<b>1</b>
1.1 System Requirements .....	1
1.1.1 Hardware .....	1
1.1.2 AMD CrossFire Requirements .....	1
1.2 Recording the Serial and Part Numbers .....	2
1.3 Uninstalling the Old Driver (Windows XP) .....	2
1.4 Uninstalling the Old Driver (Windows Vista/Windows 7) .....	3
<b>Chapter 2 Hardware Installation</b> .....	<b>5</b>
2.1 Installation Overview .....	5
2.1.1 Replacing an Existing Card .....	5
2.1.2 Installing the First Card for this PC .....	5
2.2 Installing the Graphics Card .....	5
<b>Chapter 3 Software Installation</b> .....	<b>9</b>
3.1 AMD Drivers and Software .....	9
3.2 Installing the AMD Catalyst Software Suite (Windows OS) .....	9
<b>Chapter 4 Display Configuration</b> .....	<b>11</b>
4.1 AMD Radeon HD 79xx Connections .....	11
4.2 Display Configurations .....	11
4.2.1 Multiple Displays .....	12
4.3 Using Adapters .....	13
4.4 Configuring the Display (Optional) .....	13
<b>Chapter 5 AMD CrossFire Technology</b> .....	<b>15</b>
5.1 AMD CrossFire Overview .....	15
5.2 Installing AMD CrossFire Graphics Cards .....	15
5.3 Enabling AMD CrossFire .....	19
<b>Chapter 6 Using the Control Center Software</b> .....	<b>21</b>
6.1 Control Center Overview .....	21
6.2 Starting the Control Center Software .....	21
6.3 Using the Control Center Help System .....	22
<b>Chapter 7 Reference</b> .....	<b>23</b>

---

7.1 Troubleshooting.....	23
7.1.1 Graphics Card Installation Troubleshooting.....	23
7.1.2 Troubleshooting AMD CrossFire.....	24
7.1.3 HDTV Adapter Troubleshooting.....	25
7.2 Customer Care.....	26
7.2.1 Contact Information.....	27
7.2.2 Disclaimer.....	27
7.3 International Compliance Information.....	27
7.3.1 FCC Compliance Information (USA).....	27
7.3.2 Industry Canada Compliance Statement (Canada).....	29
7.3.3 CE Compliance Information (European Union).....	29
7.3.4 Electrical Safety.....	29
7.3.5 VCCI ITE Compliance Information (Japan).....	30
7.3.6 KC Certification Information (Korea).....	31
7.3.7 BSMI Certification Information (Taiwan).....	32
7.3.8 C-Tick (Australia and New Zealand).....	33
7.3.9 Product Environmental Compliance.....	33
7.3.10 Waste Electrical and Electronic Equipment (WEEE) Directive Compliance (European Union).....	33

# Chapter 1

## Getting Started

---

Before you begin installing your new AMD Radeon HD 79xx graphics card, please make sure you have the proper system requirements and have completed the required preinstallation tasks as outlined in this chapter.

### 1.1 System Requirements

#### 1.1.1 Hardware

Minimum requirements for installing a single AMD Radeon HD 79xx graphics card:

- Motherboard with one PCIe® ×16 lane graphics slot.
- AMD Athlon™ or Intel Pentium® 4 CPU.
- 1 GB RAM.
- CD-ROM or DVD-ROM drive for installing software.
- A 550 watt or better power supply with one 75 watt 6-pin PCIe connector and one 150 watt 8-pin PCIe connector.
- Certified power supplies are strongly recommended; for a list of certified power supplies, see [ati.amd.com/certifiedpsu](http://ati.amd.com/certifiedpsu).

#### 1.1.2 AMD CrossFire™ Requirements

Minimum requirements for installing an additional graphics card for AMD CrossFire™ configuration:

- AMD CrossFire-certified motherboard. For an up-to-date listing of AMD CrossFire certified motherboards, see [support.amd.com/us/certified/Pages/certified-components.aspx](http://support.amd.com/us/certified/Pages/certified-components.aspx).
- A second AMD CrossFire graphics card compatible with the AMD Radeon HD 79xx.
- One AMD CrossFire internal bridge interconnect per additional board (included).
- A 600 watt or better power supply with two 6-pin power connectors and two 8-pin power connectors.
- For an up-to-date listing of certified power supplies, see [support.amd.com/us/certified/power-supplies/Pages/listing.aspx](http://support.amd.com/us/certified/power-supplies/Pages/listing.aspx).
- Certified system cases with good airflow and cooling are recommended.

For more information, see [Chapter 5 AMD CrossFire Technology \(p. 15\)](#).

## 1.2 Recording the Serial and Part Numbers

Write down the serial number and part number before installing. The serial number and 102 part number on the graphics card are required for registration and free support. They are located on a sticker on the back of the card.

The emphasized numbers in bold are required for registration and free support.

Figure 1-1 Sample Serial and Part Numbers



## 1.3 Uninstalling the Old Driver (Windows® XP)

Follow these steps to uninstall the existing graphics card driver in preparation for installation of a new card.

1. With the current graphics card still in the computer, close all open applications.
2. On the Windows® taskbar, click **Start** > **Control Panel** and then double-click **Add or Remove Programs**.
3. Select the current graphics card driver and then click **Change/Remove**.  
*Use the wizard that appears to remove the current display driver.*
4. Turn off the system after the driver has been removed.

**Note:** If the previously installed graphics card has any additional software installed, this software may also need to be removed before restarting the computer. For example, DVD Player or Multimedia applications.



## 1.4 Uninstalling the Old Driver (Windows Vista®/Windows® 7)

Follow these steps to uninstall the existing graphics card driver in preparation for installation of a new card.

1. With the current graphics card still in the computer, close all open applications.
2. Click **Start** ▶ **Control Panel**.
3. Click **Device Manager**. If you are using the Category View of the Control Panel, do one of the following:
  - For Windows Vista®, click **System and Maintenance** and then **Device Manager**.
  - For Windows® 7, click **System and Security** and then **Device Manager** under the **System** group.
4. Expand **Display Adapter** and then right-click the driver for the graphics card you are replacing.
5. In the shortcut menu that appears, click **Uninstall**.  
*The driver for the old graphics card is uninstalled.*
6. Turn off the system.



# Chapter 2

## Hardware Installation

---

This chapter details how to install the AMD Radeon HD 79xx graphics card in your system.

### 2.1 Installation Overview

The installation of the card has slightly different procedures depending on whether you are replacing an existing card or installing a graphics card in a PC for the first time. This section briefly describes the high-level steps for both cases.

#### 2.1.1 Replacing an Existing Card

If you are replacing an existing graphics card, you need to:

1. Start the computer and then uninstall the old graphics driver.
2. Turn off the computer and then remove the old card.
3. Install the new card and then connect the monitor.
4. Start the computer and then install the new drivers and software.
5. Restart the computer.

#### 2.1.2 Installing the First Card for this PC

If this is the first graphics card for this PC, you need to:

1. With the computer off, install the new card and then connect the monitor.
2. Start the computer and then install the new drivers and software.
3. Restart the computer.

### 2.2 Installing the Graphics Card

1. Turn off the computer, monitor(s), and other peripheral devices.

2. Unplug the computer's power cord, and then disconnect all cables from the back of the computer.

**Caution:**

Wait approximately 20 seconds after unplugging the power cord before disconnecting a peripheral cable or removing a component from the motherboard to avoid possible damage to the motherboard.

3. Remove the cover to the computer's case.

**Note:** If necessary, consult the computer manual for help in removing the cover.

**Caution:**

Static electricity can seriously damage computer components. Discharge your body's static electricity by touching the power supply or the metal surface of the computer chassis before you touch any components inside the computer's case to avoid damaging them.

4. Unscrew or unfasten and remove any existing graphics card from the computer, if necessary.
5. Locate the appropriate bus slot and, if necessary, remove the corresponding metal backplate cover(s). Make sure all internal cables are clear of the slot.

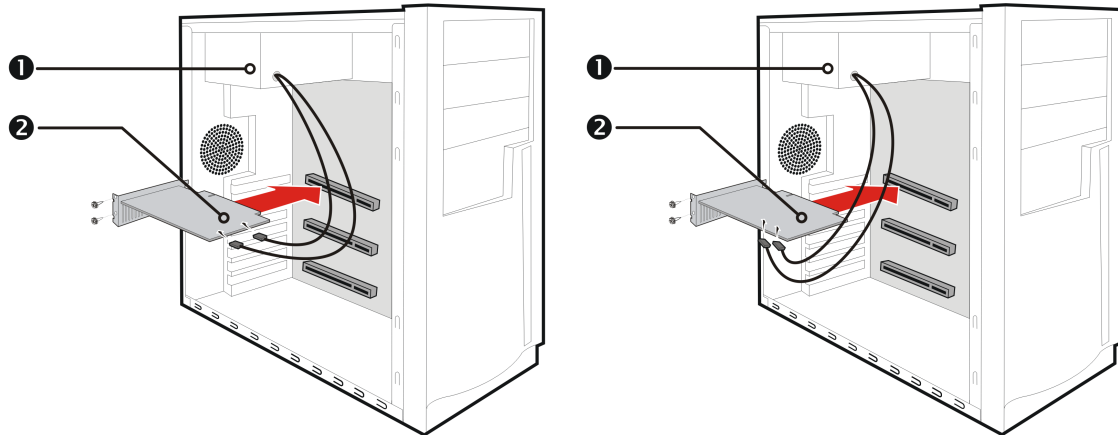
**Note:** If you cannot find a bus slot to match the card, you need a graphics card with the correct bus to match the motherboard.

6. Align the graphics card with the slot and press it in firmly until the card is fully seated.
7. If your card requires supplementary power and must be connected directly to the power supply, locate the appropriate power connector cable(s) from the power supply and connect it (or them) to the graphics card's supplementary power connector(s).

**Note:** If applicable, before installing a card that requires a supplementary power connection, make sure your existing power supply has such a connection available.

**Tip:** The location of power connections may vary between models. They can be located on either the side or back of the card.

Figure 2-1 Possible Power Connection Locations on the Graphics Card



1	Power supply
2	Graphics card

8. Fasten the graphics card securely to the back panel.
9. Make sure no internal cables are interfering with components inside the computer (for example, a cooling fan), and then replace the computer cover.
10. Reconnect any cables you have disconnected during installation, and then plug in the computer's power cord.
11. Turn on the monitor, and then the computer.

---

If you have properly installed the graphics card, the computer should start normally. Proceed to install the software and drivers for your AMD Radeon HD 79xx graphics card.

---



# Chapter 3

## Software Installation

---

This chapter describes the installation of the software and drivers associated with your AMD Radeon product.

### 3.1 AMD Drivers and Software

Drivers are small but important programs that enable an operating system to communicate with a piece of hardware, such as a graphics card.

When you install a new graphics card, you must also install the driver and configuration software the card requires to function properly.

You also need to install (or reinstall) your AMD Radeon drivers when you have reinstalled or upgraded your operating system or when you download updated drivers.

The latest drivers are available from AMD's Web site at: [support.amd.com/us/gpudownload/Pages/index.aspx](http://support.amd.com/us/gpudownload/Pages/index.aspx).

**Note:** When reinstalling drivers, always uninstall any previous drivers that are on your system, even if they are for the same graphics card. Always start "fresh."

### 3.2 Installing the AMD Catalyst™ Software Suite (Windows® OS)

To install or remove software, you must have administrator rights or be logged on as a user with administrator rights.

**Note:** The installation dialog displays in English if the operating system's language is not supported.

Software is provided to both operate and take advantage of all the features of the graphics card. Software includes:

- The graphics card drivers.
- The Control Center software application.
- HydraVision™ software (included in the custom install).
- SurroundView™ software (included in the custom install).
- AMD Video Converter software (included in the custom install).

1. Insert the Software and Documentation CD.

**Note:** If the install wizard does not start, navigate to the CD drive and double-click ATISETUP.exe.

2. From the menu that appears, click **Software Install**.
3. Follow the on-screen instructions. When prompted, select either **Express** or **Custom**.

*Not all software components are installed using the Express installation. Custom installation allows you to select individual software components for installation.*

**Tip:** If the installer fails to install the driver, or you have a software conflict, you can download the latest software from [support.amd.com/us/gpudownload/Pages/index.aspx](http://support.amd.com/us/gpudownload/Pages/index.aspx) and then install it.



# Chapter 4

## Display Configuration

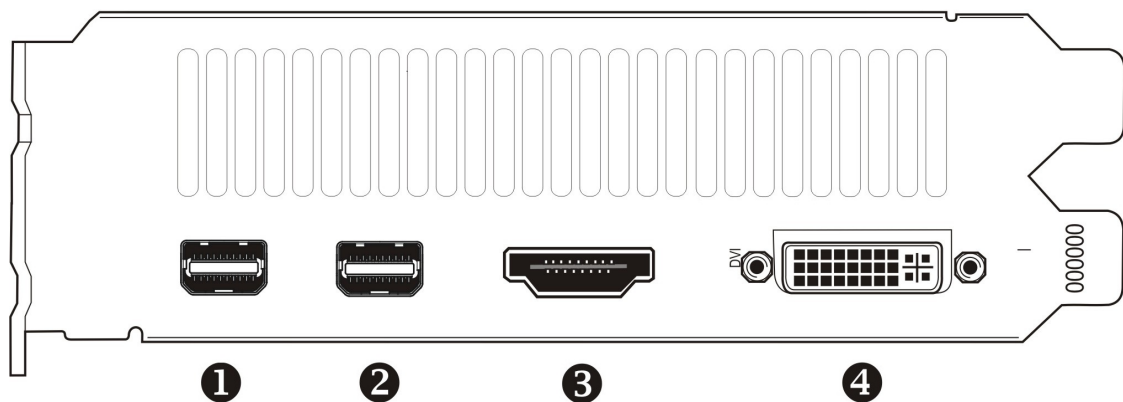
This section describes how to configure displays and lists available display connections for your graphics card.

### 4.1 AMD Radeon HD 79xx Connections

The following figure shows the display connections available on your AMD Radeon HD 79xx graphics card.

**Note:** The baseplate may not appear exactly as depicted.

Figure 4-1 AMD Radeon HD 79xx Display Connections



1, 2	Mini DisplayPort (DP+) connection. Carries video and audio signals to DisplayPort-compliant devices.
3	HDMI™ connection (Type A). Carries video and audio signals to HDMI-compliant devices.
4	Dual-link DVI-I connection. Provides video digital signals and HDMI output that is compatible with most HDMI-compliant devices.

### 4.2 Display Configurations

The following table lists options for attaching displays that are indirectly supported by the connections on your graphics card.

For best graphics performance and quality, always use native connections, when available.

**Note:** Adapters not provided with your graphics card can be purchased directly from AMD's Web site or through your local AMD resellers.

Table 4–1 Display Configurations

Display Configuration	Connection Options
CRT (VGA) display	<ul style="list-style-type: none"> <li>• DVI connection and DVI-to-VGA adapter</li> <li>• Mini DisplayPort connection with Mini DisplayPort-to-VGA adapter</li> </ul>
HDMI HDTV	<ul style="list-style-type: none"> <li>• DVI connection with DVI-to-HDMI adapter</li> <li>• Mini DisplayPort connection with Mini DisplayPort-to-HDMI adapter</li> </ul>

If your graphics card includes a DisplayPort or Mini DisplayPort connection, you can the following types of DisplayPort-compliant adapters/dongles with your graphics card:

- **Adapters**—Uses DisplayPort signals to transmit audio and video information between variants of the same connection type (for example, Mini DisplayPort to standard DisplayPort).
- **Active dongles**—Allows connection from a DisplayPort connection to a non-DisplayPort display using DisplayPort signals.
- **Passive dongles**—Allows connection from a DisplayPort connection to a non-DisplayPort display using non-DisplayPort signals.

The type of adapter/dongle used determines the number of displays that can be supported by your graphics card. In general, more displays can be supported with DisplayPort adapters and active dongles than with passive ones.

**Note:** A list of compatible adapters/dongles for your graphics card can be found at: <http://support.amd.com/us/eyefinity/Pages/eyefinity-dongles.aspx>.

## 4.2.1 Multiple Displays

Your AMD Radeon HD 79xx graphics card provides display functionality for up to six displays using any combination of the following:

- Any number of Mini DisplayPort connections.  
You can connect more than one display to a Mini DisplayPort connection using a daisy chain configuration or a hub (multi-display support is made possible through the DisplayPort v1.2 standard).
- Two connections between the dual-link DVI and HDMI connections.

The following table shows some examples of multiple display configurations; (A) indicates an active adapter is used and (P) indicates a passive adapter is used. Display abbreviations are mDP = Mini DisplayPort, DVI = dual-link DVI-I.

Table 4–2 Sample Display Configurations

Sample Display Configuration	DVI-I Connector	mDP Connector	mDP Connector	HDMI Connector	Total Output
6×mDP	-	Native (×6)	-	-	6
DVI, 2×mDP, 2×mDP	Native	Native (×2)	Native (×2)	-	5
2×mDP, VGA, HDMI	-	Native (×2)	mDP to VGA (A)	Native	4
DVI, 2×mDP, HDMI	-	mDP to DVI (A)	Native (×2)	Native	4
DVI, HDMI, mDP, HDMI	Native	mDP to DVI (A)	Native	Native	4
DVI, mDP, mDP	Native	Native	Native	-	3
DVI, DVI, VGA	Native	mDP to DVI (A)	mDP to VGA (A)	-	3

For additional configuration information, visit <http://www.amd.com/eyefinity>.

Once displays are connected to the graphics card, you can change how your displays are configured using the Control Center software application. For more information, see [Chapter 6 Using the Control Center Software \(p. 21\)](#).

## 4.3 Using Adapters

The following procedure describes how to connect a display to your graphics card using an adapter.

1. Turn off your computer and display.
2. Plug the adapter into the connection from your AMD Radeon graphics card and tighten the thumbscrews (if there are any).
3. Connect your display's cable to the adapter and tighten the thumbscrews (if there are any).
4. Turn on your display first, then your computer.

Use the Control Center software application to configure the new display.

## 4.4 Configuring the Display (Optional)

To change the display configuration or if you are experiencing an issue with the display, do the following:

**Note:** If you are not experiencing any troubles with the display, no adjustments are necessary.

1. Right-click on the desktop and, in the shortcut that appears, click **Properties**.  
*The Display Properties dialog appears.*
2. Click the **Settings** tab and then select the screen resolution and color depth that best suit your requirements and the display's performance.
3. Click **Advanced** and then select the **Monitor** tab.

4. Choose a refresh rate from the drop-down list.

**Caution:**

Choosing a refresh rate unsupported by the display may damage it. Consult the display's documentation if necessary.

5. Click **OK**.

*Once you have configured the main display you can configure any other displays that are connected.*

6. To configure another display, do the following:

- a. Right-click on the desktop and, in the shortcut that appears, click **Properties**.

**Note:** The Control Center software application can also enable and configure multiple monitors.

- b. To access the basic multi-monitor configuration settings, click the **Settings** tab.

- c. Select the monitor icon identified by the number 2.

**Note:** When using multiple monitors with the graphics card, one monitor will always be the primary display, additional monitors will be designated as secondary.

- d. Click **Extend my Windows desktop onto this monitor**.

- e. Set the Screen Resolution and Color Quality as appropriate for the second monitor.

- f. Click **OK**.

# Chapter 5

## AMD CrossFire™ Technology

---

**Note:** These features are only available for AMD Radeon HD 79xx graphics cards with AMD CrossFire™ connections.

### 5.1 AMD CrossFire™ Overview

AMD CrossFire is a multi-GPU (graphics processing unit) performance gaming platform. It enables multiple graphics processors installed in a single computer to work together to improve system performance, creating a high-performance gaming platform. A typical AMD CrossFire setup involves two graphics cards.

Once your graphics cards have been installed, you can enable and configure AMD CrossFire support using the Control Center software application. For more information, see the AMD CrossFire technology Web page at [sites.amd.com/us/game/technology/Pages/crossfirex.aspx](http://sites.amd.com/us/game/technology/Pages/crossfirex.aspx).

### 5.2 Installing AMD CrossFire™ Graphics Cards

These instructions assume that a PCIe® graphics card has already been successfully installed in the secondary slot (slot one), and that the primary slot (slot zero) is empty.

**Note:** Consult your system builder or OEM to ensure that your system has an adequate power supply.

For an up-to-date listing of AMD CrossFire certified motherboards and power supplies, see [support.amd.com/us/certified/Pages/certified-components.aspx](http://support.amd.com/us/certified/Pages/certified-components.aspx).

1. Make sure the computer, monitor, and other peripheral devices are off.
2. Unplug the computer power cord and disconnect the monitor cable from the back panel of the computer.

**Caution:**

To avoid possible damage to the motherboard, wait approximately 20 seconds after unplugging the power cord before disconnecting a peripheral or removing a component from the motherboard.

3. Remove the computer cover.

If necessary, consult the computer manual for help removing the cover.

**Caution:**

Remember to discharge your body's static electricity by touching the power supply case or the metal surface of the computer chassis.

4. Remove any unneeded graphics cards from the computer.

**Warning:**

Some graphics cards can get hot while operating. Wait approximately five minutes after turning off the computer before touching the card.

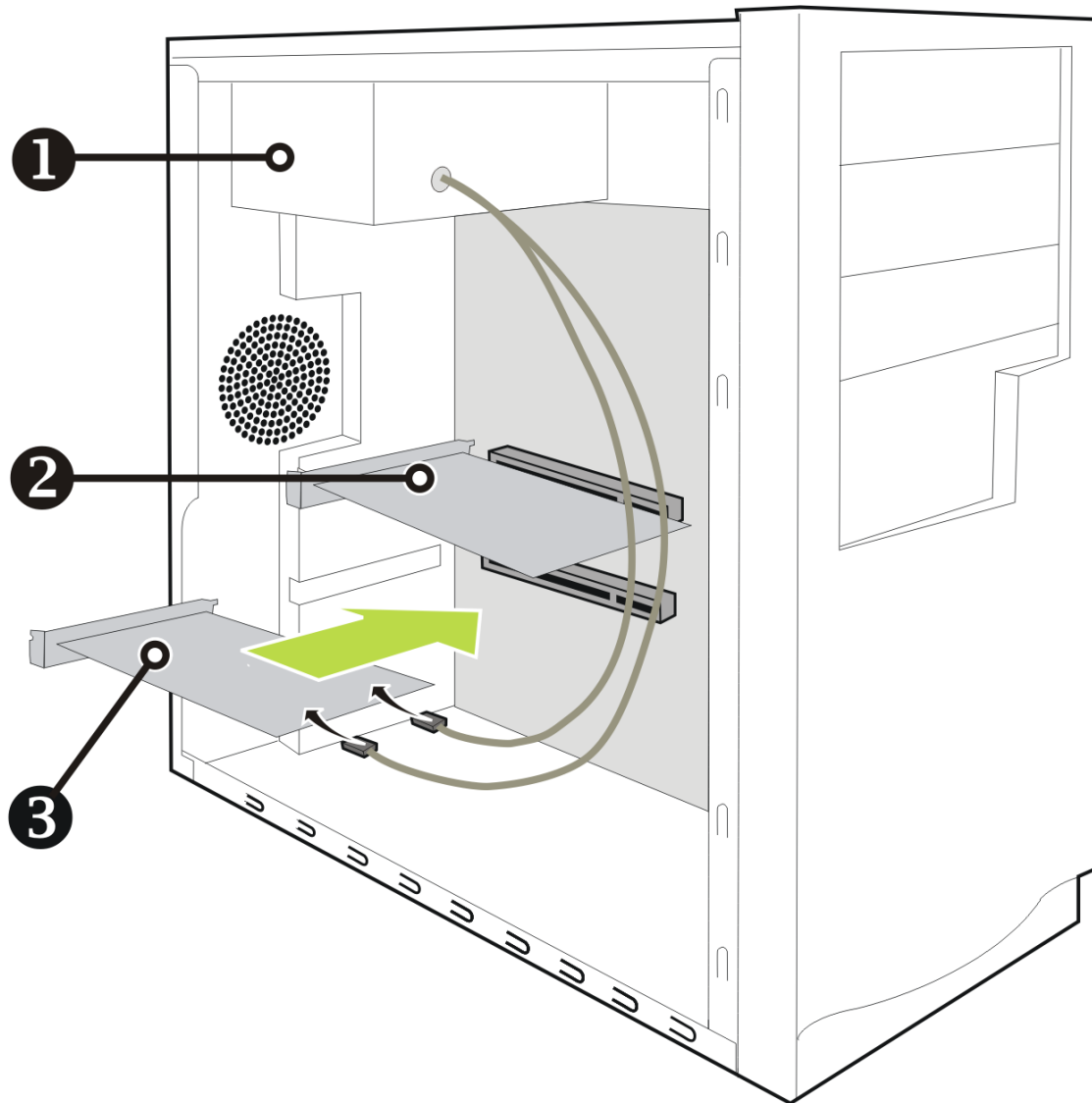
5. Locate the PCIe slots on the motherboard. If necessary, also remove the corresponding back panel cover.
6. Align the new graphics card in the secondary PCIe slot next to the existing graphics card and press firmly until the card is fully seated.

**Tip:** For optimal performance in a dual-GPU AMD CrossFire configuration, make sure that each AMD Radeon HD 79xx graphics card is separated by at least one empty expansion slot.

7. If needed, connect the power supply to the cards.

**Tip:** The location of power connections may vary between models. They can be located on either the side or back of the card.

Figure 5-1 Connecting the Power Cables



1	Power supply
2	Existing card
3	New card

8. If your AMD CrossFire configuration requires an AMD CrossFire internal bridge interconnect between cards, remove the protection tags from the ends of the AMD CrossFire interconnect before using it to connect the cards.

**Caution:**

Always handle the AMD CrossFire bridge interconnect by the connector only. Do not push or pull on the flexible cable.

Figure 5-2 AMD CrossFire™ Bridge Interconnect Protection Tag

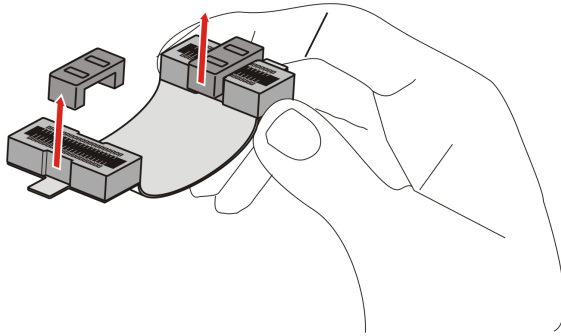
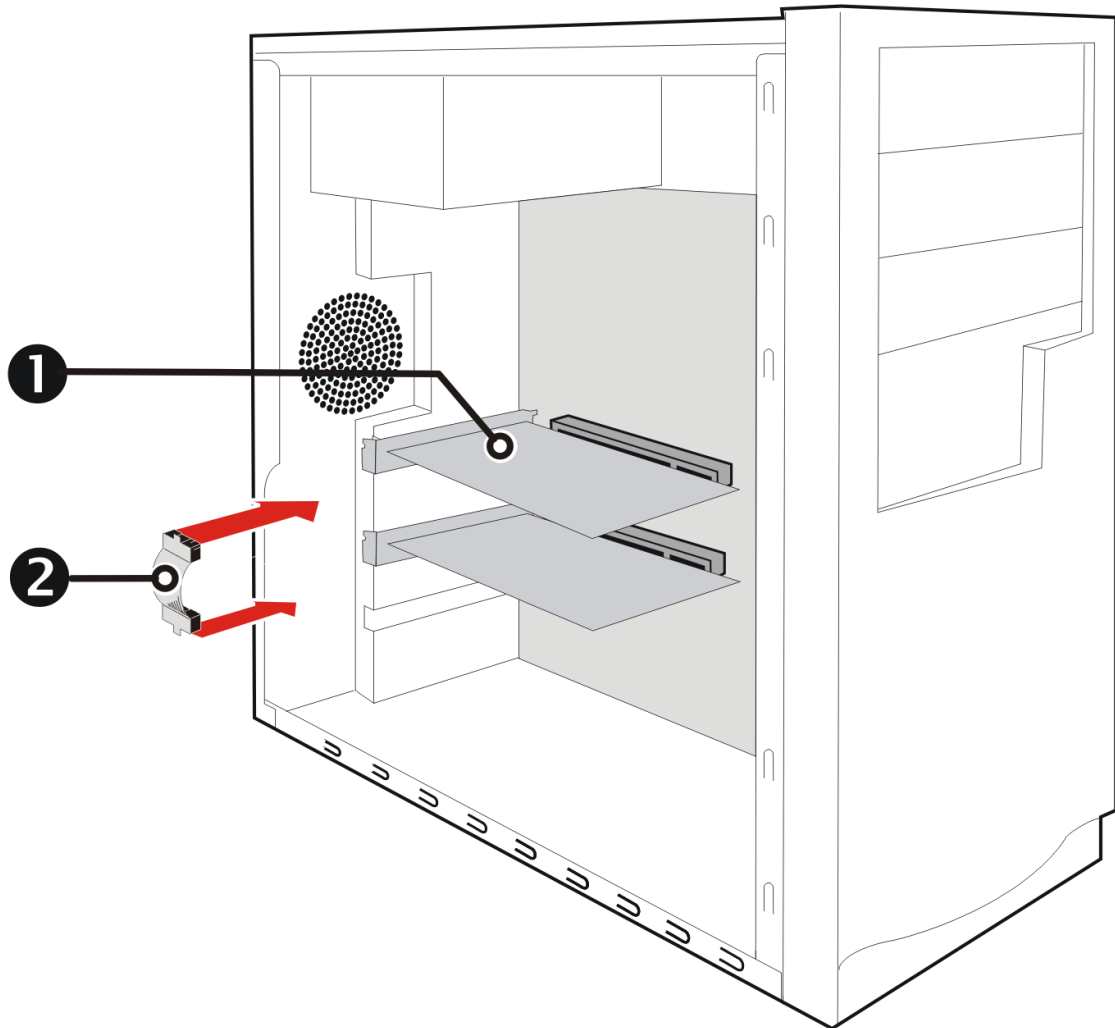


Figure 5-3 AMD CrossFire™ Installation



1	AMD CrossFire graphics cards
2	Interconnect

9. Fasten the graphics cards securely to the back panel.



10. Make sure the cables are not interfering with anything inside the computer (for example, a cooling fan) and then replace the computer cover.
11. Reconnect any cables you have disconnected and plug in the computer power cord.
12. Turn on the monitor and then the computer.

You can now enable and configure AMD CrossFire support using the Control Center software application. For more information, see [Chapter 6 Using the Control Center Software \(p. 21\)](#).

## 5.3 Enabling AMD CrossFire™

When AMD CrossFire support is enabled, the best possible GPU combination is selected based on the current hardware configuration. If necessary, you can change the existing AMD CrossFire configuration using the following procedure. For more information, see the help system for the Control Center application.

1. Navigate to the **AMD CrossFire Configuration** page located under the following groups:

- Standard View—**Performance** or **Gaming** ▶ **Performance**.
- Advanced View—**Performance** or **Gaming**.

2. From the GPU selection menu at the top of the page, select the desktop associated with the GPU that you want to use as the Display GPU.
3. Select **Enable CrossFire**.

**Note:** The **Choose from the following Rendered GPU combinations** drop-down list automatically populates with all available render GPUs based on the selected display GPU. The list displays only GPUs that can be enabled for AMD CrossFire. Other combinations are not listed here but may be listed on the **AMD CrossFire Diagnostics** page.

4. From the list, select the appropriate combination.

**Note:** If the selected combination is not the most optimal choice for your system, a message appears at the bottom of the page notifying you of this.

5. Click **Apply**.

---

When AMD CrossFire is enabled, the GPU Accelerated Physics feature might be automatically disabled for all cards and displays in the configuration except those used by AMD CrossFire.

---



# Chapter 6

## Using the Control Center Software

---

### 6.1 Control Center Overview

The Control Center software application contains settings for configuring and fine-tuning your AMD product. Use it to manage desktops and displays, optimize your graphics processor for enhanced 3D application and video quality, and configure your CPU for improved power savings or system performance. You can also use the performance tools in the application to monitor and manage clock speed and memory use for your graphics card to ensure that your AMD product is configured and running as efficiently as possible.

The application provides a Standard View for guided configuration and an Advanced View for quick and easy access to all available features and settings. It also provides a search feature for finding specific pages, as well as the ability to bookmark pages by pinning them within the application.

The following is a list of common configuration tasks that can be completed using the application:

- Adding and removing displays
- Rotating displays
- Setting the main (primary) display
- Duplicating and extending desktops
- Arranging desktops
- Enabling and disabling 3D application and video settings

More information on the application and its available features are provided through the comprehensive Control Center help system.

**Note:** Feature availability varies between AMD products and operating systems.

### 6.2 Starting the Control Center Software

To start the Control Center software application in Windows®, use any of the following methods:

Table 6–1 Control Center Access Routes in Windows®

Access Route	Instructions
Windows Desktop	<ol style="list-style-type: none"> <li>1. Right-click anywhere on the desktop.</li> <li>2. From the shortcut menu that appears, click the Control Center option.</li> </ol>
Windows Start Menu	<ol style="list-style-type: none"> <li>1. Click <b>Start</b> on the Windows task bar.</li> <li>2. Click <b>All Programs</b> followed by the Control Center option.</li> </ol>
Windows Notification Area	<ol style="list-style-type: none"> <li>1. Right-click the Control Center icon in the Windows Notification Area.</li> <li>2. From the shortcut menu, click the Control Center option.</li> </ol>
Desktop Shortcut	If you chose to create a desktop shortcut to the Control Center application during the driver installation, double-click the shortcut.

To start the application in Linux®, type the command `amdcccle` in the terminal window.

To start the application with superuser privileges, do any of the following:

- Log on as a superuser before running the command `amdcccle`.
- Run the command `sudo amdcccle` and provide the superuser password when prompted.
- Run the command `amxdg-su -c amdcccle` and provide the superuser password when prompted.

**Note:** Certain Control Center settings can only be changed with superuser privileges.

## 6.3 Using the Control Center Help System

The help system that is available with the Control Center software application provides detailed usage information and tips for configuring your AMD product. The help system also provides conceptual information on the technologies that are available for your product.

Use the following steps to access the help system.

1. Open the Control Center application.
2. Choose one of the following options:
  - Set the mouse focus to the application window (by clicking the window) and press F1 on your keyboard.
  - Click the Help button (shown as a question mark) located in the titlebar of each page within the application.
  - Right-click the Control Center icon in the Windows taskbar notification area (system tray), and click **Help**.

---

The help system opens to provide context-sensitive help for the current page or general usage information.

---

# Chapter 7

## Reference

---

The following section offers troubleshooting tips and provides customer care, warranty, and compliance information.

### 7.1 Troubleshooting

**Note:** Some troubleshooting tips may not be applicable depending on the display options supported by and configured for your card.

#### 7.1.1 Graphics Card Installation Troubleshooting

For more advanced troubleshooting information, contact AMD Customer Care at <http://support.amd.com>.

##### 7.1.1.1 The graphics card doesn't fit any of the motherboard slots.

The graphics card needs to be exchanged for one with a bus that matches the motherboard.

For more information on bus types, see knowledgebase article [GPU-59: How to Install AMD Graphics Hardware](#).

##### 7.1.1.2 The computer beeps and the boot process stops.

Make certain that the graphics card is properly connected to the internal power supply and the motherboard.

##### 7.1.1.3 No display on power up.

Try these possible solutions:

- Verify that the monitor is connected properly to the computer and a power supply.
- Reconnect all the hardware device cables that were removed during the installation of the graphics card.
- If any adapters or video switches are being used, remove them and connect the displays directly to the graphics card.
- Check the motherboard manufacturer's Web site for an SBIOS update.

- Turn off the on-board video.
- Install a different graphics card. If there are no display issues, then the graphics card in question may be defective.
- If your motherboard has on-board graphics capabilities, you may need to disable them. Consult your motherboard documentation for more information.

**Note:** Some manufacturers do not allow the on-board graphics to be disabled or to become the secondary display.

For more troubleshooting tips, see knowledgebase article [737-22472: How to Troubleshoot No Display on Re-start Issues](#).

#### 7.1.1.4 The computer does not boot up properly.

Verify that the installation instructions were followed correctly.

Make certain that the graphics card is properly connected to the power supply and the motherboard.

For Windows® operating systems, restart your system in Safe Mode. Use Windows Device Manager to remove any graphics driver entries under **Display Adapters** and restart your system.

Check the system configuration utility for interrupt assignments.

#### 7.1.1.5 During software installation on a Windows® OS, the screen goes blank.

The software is still installing. Wait 20–30 minutes to make sure the software has finished installing and then restart the computer.

### 7.1.2 Troubleshooting AMD CrossFire™

The following are suggested solutions for common AMD CrossFire™ troubleshooting issues.

#### 7.1.2.1 Change Motherboard BIOS Settings

Some motherboards may have a system BIOS option to switch between single and dual PCIe slot support. The default setting may be single slot support. Refer to the motherboard's manual for information to enable dual PCIe slot support.

For more information, see the AMD CrossFire Web page at [http://game.amd.com/us-en/crossfirex\\_about.aspx](http://game.amd.com/us-en/crossfirex_about.aspx).

#### 7.1.2.2 Use Graphics Cards with Different Amounts of Memory

In some AMD CrossFire configurations, graphics cards with different amounts of memory can be used; however, restarting your computer is required after enabling AMD CrossFire. This will cause AMD CrossFire to reduce the amount of memory on the card with the most amount of memory to match the memory size of the graphics card with the least amount of memory.

Clicking **OK** to the memory mismatch error message will restart your computer.

**Note:** When disabling AMD CrossFire you will be given the option to restart your computer to restore the original graphics memory size or continue with the reduced memory size.

### 7.1.2.3 Card Reversal Recommended

A recommendation message to reverse the graphics card positions may appear if the primary graphics card is not installed into the primary PCIe slot. Although AMD CrossFire can be enabled, performance may be improved by reversing the graphics cards in the computer.

See your motherboard's manual to determine which is the primary PCIe slot.

### 7.1.2.4 3D Client is Active

You will not be able to start AMD CrossFire if a 3D application, game, or video playback, such as a DVD movie, is running.

Close all open 3D applications, games, and movie player applications, and then enable AMD CrossFire.

### 7.1.2.5 AMD CrossFire™ is Currently Unavailable

This error has occurred because AMD CrossFire did not correctly detect your graphics hardware or there is a problem with the software.

- Check that the graphics cards are installed correctly.
- Check that the interconnect cable, if applicable, is installed correctly.
- Close all running 3D applications.
- Check that the AMD CrossFire mode is set to Software in the Control Center application. (The AMD Radeon HD 79xx can only use AMD CrossFire technology in software mode.)
- Reinstall the Control Center software application and drivers. For more details, see knowledgebase articles [GPU-57: How to Uninstall Pre-existing Graphics Card Drivers](#) and [GPU-33/GPU-1/GPU-2: How to Install AMD Catalyst Software on Windows® 7/Windows Vista®/Windows® XP](#).

### 7.1.2.6 Screen Rotation is Unavailable or Does Not Work

Screen rotation is not an available feature on AMD CrossFire systems.

### 7.1.2.7 Video Displays Flicker During System Startup

This is normal during AMD CrossFire startup.

### 7.1.2.8 AMD CrossFire™ Disabled after Swapping/Moving Cards

If you change the AMD CrossFire configuration by moving the graphics cards to different slots on the motherboard, disable AMD CrossFire and restore factory default settings in the Control Center software application first. Once the cards have been swapped, enable AMD CrossFire. This ensures the new configuration is detected by the computer.

## 7.1.3 HDTV Adapter Troubleshooting

The following troubleshooting tips may help if you experience problems with HDTV.

More troubleshooting information can be found on the AMD Web site. Please visit <http://support.amd.com>.

#### 7.1.3.1 There is a black border around the TV when using an HDMI™ connection.

Try adjusting the overscan/underscan of the TV. For more information, see knowledgebase article [GPU-72: Unable to Adjust a Digital Display to Match the Resolution of the Desktop](#).

#### 7.1.3.2 There is no display on the TV.

The TV will not display anything until Windows starts; this may take several minutes. Make sure the TV is set to YPbPr input.

#### 7.1.3.3 DVDs will not play in high-quality modes.

For displays connected using an analog connection, playback of CSS-protected DVDs may be restricted to certain modes.

For displays connected using a digital connection, playback on certain DVD players may also be restricted if HDCP (high-bandwidth content protection) cannot be enabled. This restriction also applies to displays connected using active DisplayPort adapters.

#### 7.1.3.4 The display appears tilted.

Consult the HDTV documentation.

#### 7.1.3.5 TVs/monitors connected cannot be enabled.

Check individual connections to the TVs/monitors.

If TVs and/or monitors connected using DisplayPort adapters, passive dongles, or active dongles cannot be enabled, visit [amd.com/eyefinity](http://amd.com/eyefinity) to check the connectivity options available for your graphics card and that your chosen configuration is supported.

For a list of AMD Eyefinity validated dongles, see <http://support.amd.com/us/eyefinity/Pages/eyefinity-dongles.aspx>.

#### 7.1.3.6 Required display resolution is missing/unavailable in Catalyst™ Control Center.

Make sure that:

- The desired resolution is supported for the display being used.
- The graphics driver has been properly installed.
- The connectors, cables, switches, and/or adapters connecting the display to the graphics card are compatible and correctly configured.

For more troubleshooting steps, see knowledgebase [GPU-10: Inability to Select a Specific Resolution for a Display Device in AMD Catalyst™ Control Center](#).

## 7.2 Customer Care

The AMD Customer Care Web site has number of helpful resources, including a knowledgebase of FAQs and the AMD Radeon Workstation Graphics Web Ticket Submission Page.

The Web site is complimentary and available at all times. The address is <http://support.amd.com>.



## 7.2.1 Contact Information

If you experience difficulties with your AMD Radeon™ product, you can contact AMD Customer Care in the following ways.

The latest contact information and tips for faster service can be found on the AMD Global Technical Support page at <http://support.amd.com/us/contacts/Pages/global-technical-support.aspx>.

## 7.2.2 Disclaimer

AMD Customer Care for Graphics Products will work to resolve your issue and help you to get your product up and running. If your issue is not resolved, our technicians will determine whether the difficulty you are experiencing is the result of the product, whether your product contains a defect, and whether your product is under warranty.

- AMD Customer Care is unable to assist with refunds, returns, or exchange-specific inquiries. If resolving the problem being experienced is critical to your decision to keep the product, it is your responsibility to ensure that you know and are within the period of time your reseller will allow for refunds, returns, or exchange.
- AMD is not responsible for any expense incurred accessing Customer Care. It is expected that customers will review the expense associated with the available support options and will choose the method that best meets their needs and budget.
- AMD Customer Care reserves the right to limit support options for products that are not registered or are reaching end of life.

## 7.3 International Compliance Information

This section details the worldwide compliance information for this product, which is manufactured to be compliant in the regions where it is sold.

AMD products are either Class A or Class B compliant and are indicated accordingly on the compliance label for each product. The following regulatory information applies to Class A and Class B products.

### 7.3.1 FCC Compliance Information (USA)

#### **Class A**

This device complies with Part 15 of the FCC Rules. Operation is subject to the following conditions: (1) this device may not cause harmful interference and (2) this device must accept any interference received, including interference that may cause undesired operation.

**Note:** This equipment has been tested and found to comply with the limits for a Class A digital device, pursuant to Part 15 of the FCC Rules. These limits are design to provide reasonable protection against harmful interference when the equipment is operated in a commercial environment. This equipment generates, uses, and can radiate radio frequency energy and, if not installed and used in accordance with manufacturer's instructions, may cause harmful interference to radio communications. Operation of this equipment in a residential area is likely to cause harmful interference in which case, the user will be required to correct the interference at his own expense.

**Warning:**

Changes or modifications to this device not expressly approved by Advanced Micro Devices, Inc. could void the user's authority to operate the equipment.

FCC Part 15, Subpart B, Class A

**Class B**

This product complies with FCC Rules Part 15. Operation is subject to the following conditions:

- This device may not cause harmful interference.
- This device must accept any interference received, including interference that may cause undesired operation.

This equipment has been tested and found to comply with the limits designed to provide reasonable protection against harmful interference in a residential installation. This equipment generates, uses and can radiate radio frequency energy and, if not installed and used in accordance with manufacturer's instructions, may cause harmful interference to radio communications. However, there is no guarantee that interference will not occur in a particular installation. If this equipment does cause harmful interference to radio or television reception, which can be determined by turning the equipment off and on, the user is encouraged to try to correct the interference by one or more of the following measures:

- Re-orient or relocate the receiving antenna.
- Increase the separation between the equipment and receiver.
- Connect the equipment to an outlet on a circuit different from that to which the receiver is connected.
- Consult the dealer or an experienced radio/TV technician for help.

The use of shielded cables for connection of the monitor to the graphics card is required to ensure compliance with FCC regulations. Changes or modifications to this unit not expressly approved by the party responsible for compliance could void the user's authority to operate this equipment.

**Caution:**

Changes or modifications not expressly approved by the party responsible for compliance could void the user's authority to operate the equipment.

FCC 15, Subpart B, Class B

**For further compliance information:**

Advanced Micro Devices, Inc.  
1 AMD Place  
P.O. Box 3453  
Sunnyvale, CA 94088-3453  
USA Tel: 408-749-4000

## 7.3.2 Industry Canada Compliance Statement (Canada)

### Class A

This Class A digital apparatus complies with Canadian ICES-003.

Cet appareil numérique de la Classe A est conforme à la norme NMB-003 du Canada.

### Class B

This Class B digital apparatus complies with Canadian ICES-003.

Cet appareil numérique de la Classe B est conforme à la norme NMB-003 du Canada.

## 7.3.3 CE Compliance Information (European Union)

### Class A

**Warning:**

This is a Class A product. In a domestic environment this product may cause radio interference in which case the user may be required to take adequate measures.

EMC Directive 2004/108/EC

CISPR 22/EN 55022—Class A: Limits and methods of measurement of radio disturbance characteristics of Information Technology Equipment.

CISPR 24/EN 55024—Information Technology Equipment—Immunity Characteristics—Limits and Methods of Measurements

### Class B

EMC Directive 2004/108/EC

CISPR 22/EN 55022—Class B: Limits and methods of measurement of radio disturbance characteristics of Information Technology Equipment.

CISPR 24/EN 55024—Information Technology Equipment—Immunity Characteristics—Limits and Methods of Measurements

## 7.3.4 Electrical Safety

Europe: The Low Voltage Directive—2006/95/EC

- EN 60950-1—Safety of Information Technology Equipment

USA/Canada:

- UL 60950-1 (Information Technology Equipment–Safety–Part 1: General Requirements)
- CSA C22.2 No. 60950-1 (Information Technology Equipment–Safety–Part 1: General Requirements)

International:

- IEC 60950-1 (Information Technology Equipment–Safety–Part 1: General Requirements)

To meet UL safety requirements, the computer's maximum room temperature should not exceed 40 °C.

This product complies with the PCI Express 300W Electromechanical Specification – please refer to the manufacturer for additional information. Other relevant input power data will also be available.



### 7.3.5 VCCI ITE Compliance Information (Japan)

#### Class A

この装置は、クラス A 情報技術装置です。この装置を家庭環境で使用すると電波妨害を引き起こすことがあります。この場合には使用者が適切な対策を講ずるよう要求されることがあります。

VCCI-A

Translation:

This is a Class A product based on the standard of the VCCI Council. If this equipment is used in a domestic environment, radio interference may occur, in which case, the user may be required to take corrective actions.

VCCI V-3

#### Class B



この装置は、クラスB 情報技術装置です。この装置は、家庭環境で使用することを目的としていますが、この装置がラジオやテレビジョン受信機に近接して使用されると、受信障害を引き起こすことがあります。

取扱説明書に従って正しい取り扱いをして下さい。

VCCI-B

#### Translation:

This is a Class B product based on the standard of the VCCI Council. If this is used near a radio or television receiver in a domestic environment, it may cause radio interference. Install and use the equipment according to the instruction manual.

VCCI V-3

### 7.3.6 KC Certification Information (Korea)



#### Class A

##### A급 기기 (업무용 정보통신기기)

이 기기는 업무용으로 전자파적합등록을 한 기기이오니 판매자 또는 사용자는 이 점을 주의하시기 바라며, 만약 잘못판매 또는 구입하였을 때에는 가정용으로 교환하시기 바랍니다.

#### Translation:

"Class A" Equipment (Business purpose info/telecommunications equipment)

As this equipment has undergone EMC registration for business purpose, the seller and/or buyer is asked to beware of this point and in case a wrongful sale or purchase has been made, it is asked that a change to household use be made.

KN22 and KN24

#### Class B

**B급기기(가정용 방송통신기기)**

이 기기는 가정용(B급)으로 전자파적합등록을 한 기기로서 주로 가정에서 사용하는 것을 목적으로 하며, 모든 지역에서 사용할 수 있습니다.

Translation:

"Class B" Equipment (Household purpose info/telecommunications equipment)

As this equipment has undergone EMC registration for household purpose, this product can be used in any area including residential area.

KN22 and KN24

### 7.3.7 BSMI Certification Information (Taiwan)

Class A

**警告使用者：**  
這是甲類的資訊產品，在居住的環境中使用時，可能會造成射頻干擾，在這種情況下，使用者會被要求採取某些適當的對策。

Translation:

This is a Class A Information Product, when used in residential environment, it may cause radio frequency interference, under such circumstances, the user may be requested to take appropriate countermeasures.



CNS13438

Class B



CNS13438

### 7.3.8 C-Tick (Australia and New Zealand)



ACMA — Australian Communications and Media Authority

- Radiocommunications Act 1992 (Australia)—per notices of section 182
- AS/ NZS CISPR 22

### 7.3.9 Product Environmental Compliance

This product may carry a marking similar to those below that indicates its level of compliance with China RoHS standards.



For information on China RoHS, EU RoHS, or EU REACH compliance, please refer to [Product Environmental Compliance](#) on the AMD Web site.

### 7.3.10 Waste Electrical and Electronic Equipment (WEEE) Directive Compliance (European Union)

This product was manufactured by Advanced Micro Devices, Inc.



