

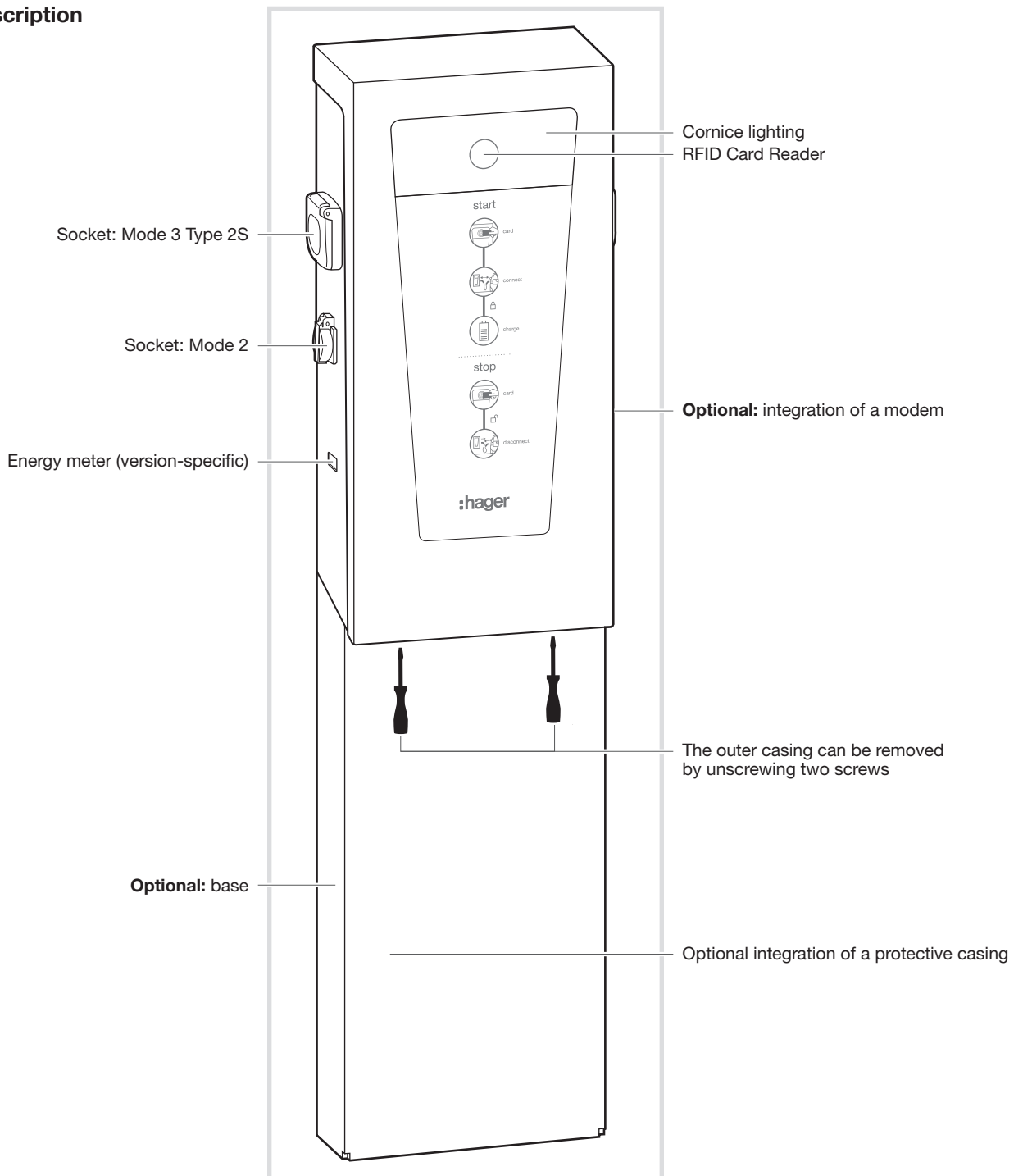


## Hager witty park XEV6xx

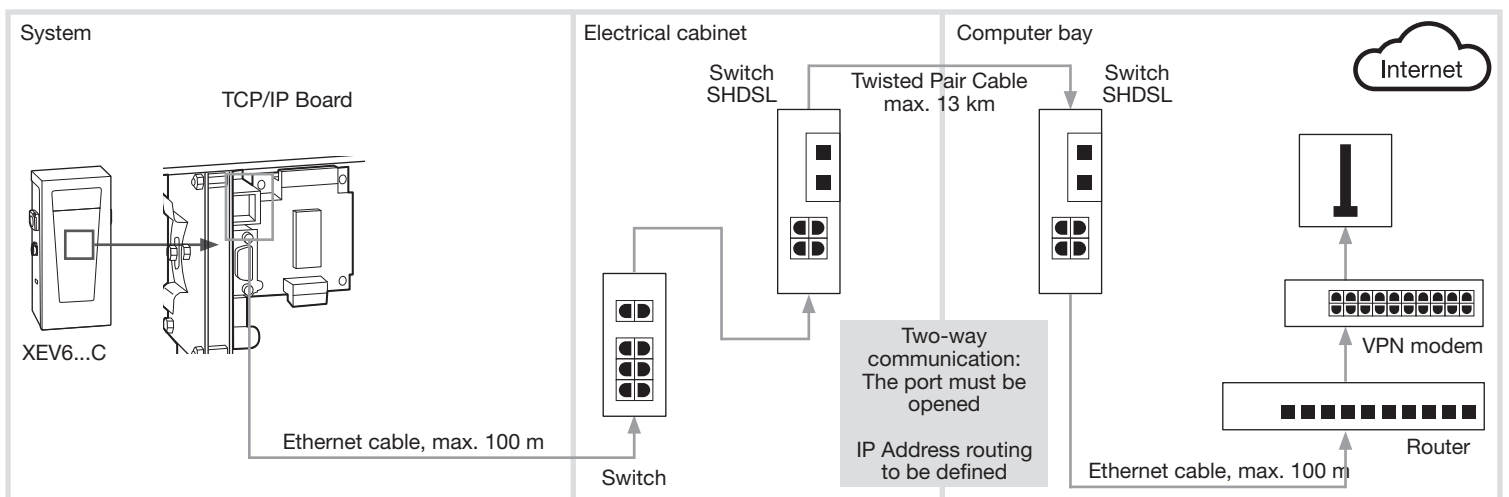
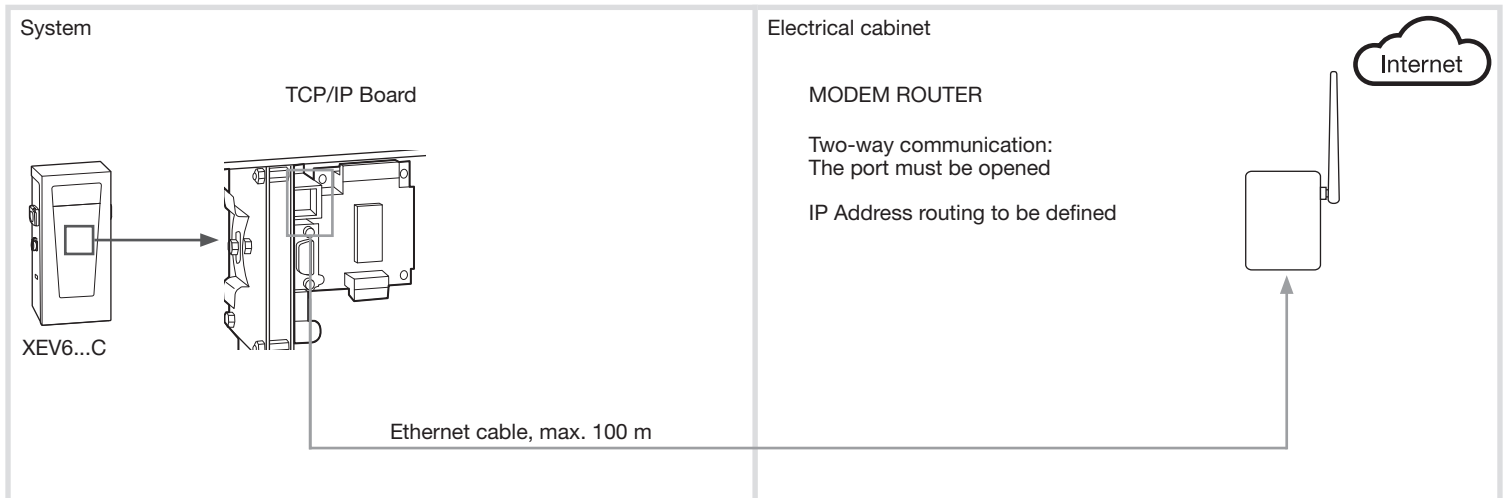
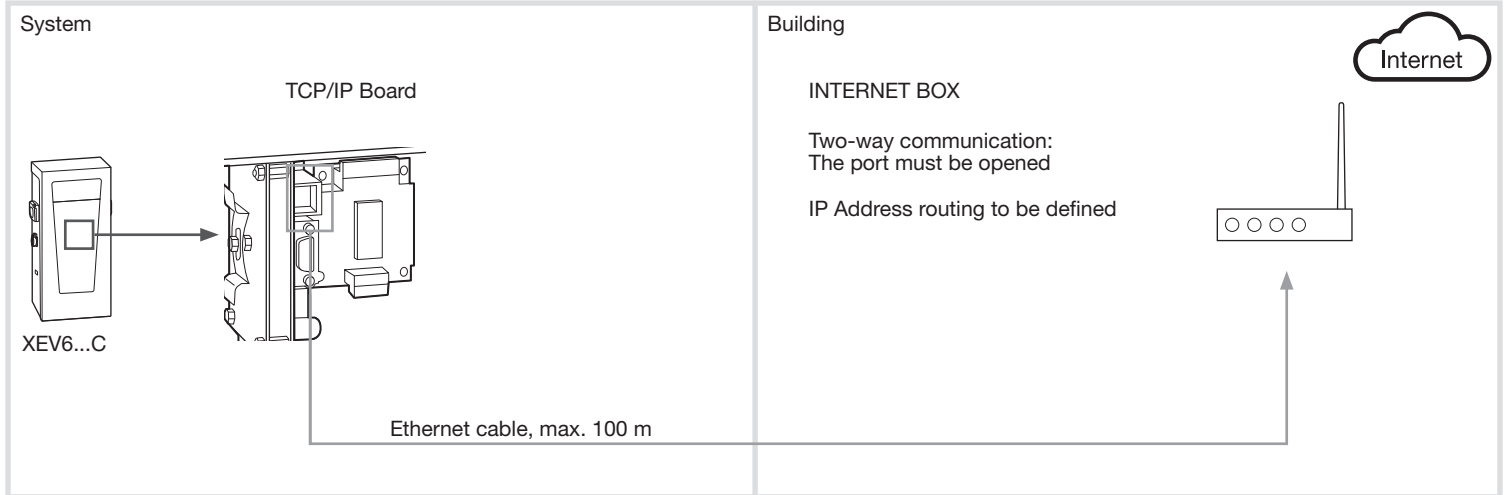
### 1. Initial precautions

Please refer to the maintenance manual before starting the installation of the charging station. This device is to be installed only by a professional electrician fitter according to local applicable installation standards. Conform to SELV installation rules.

### 2. General description



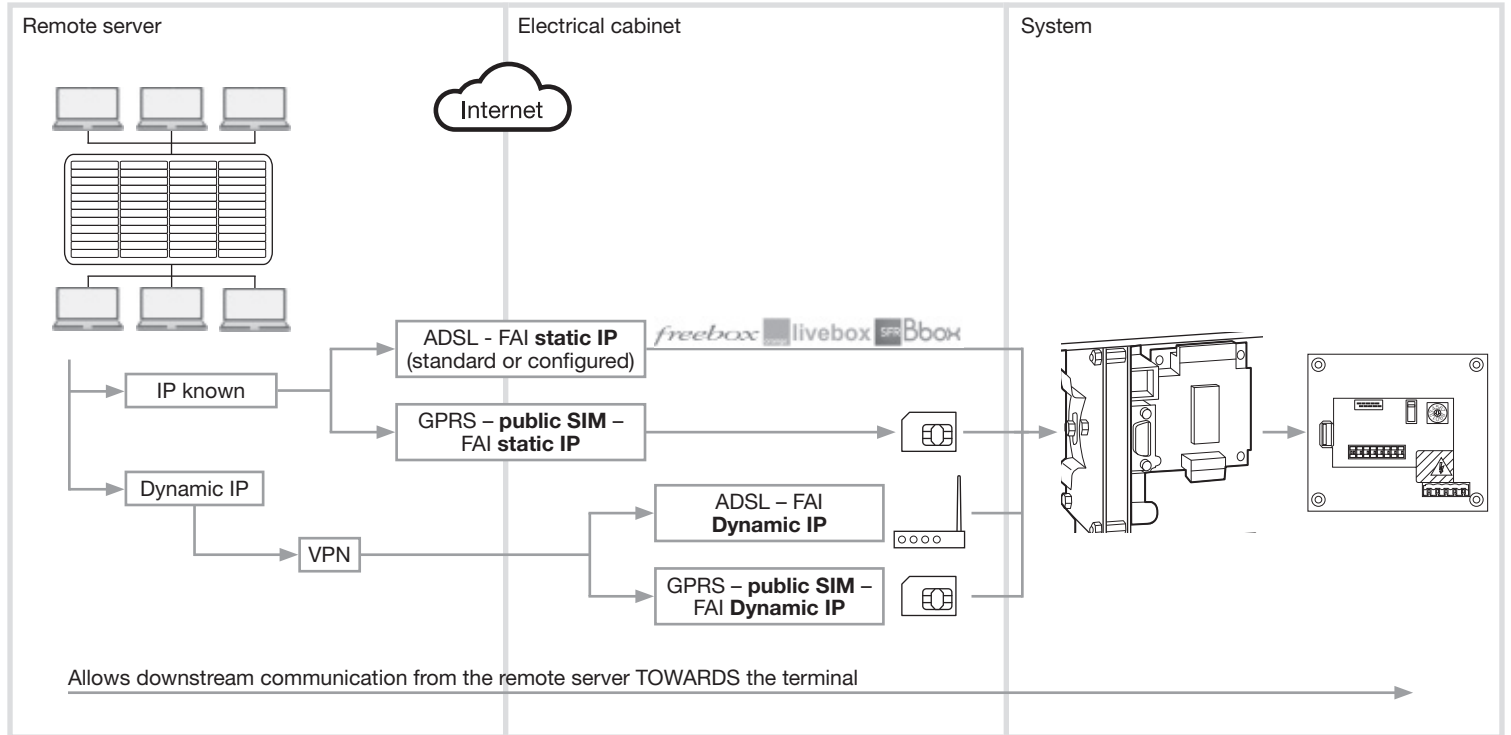
## 3. Computer connection



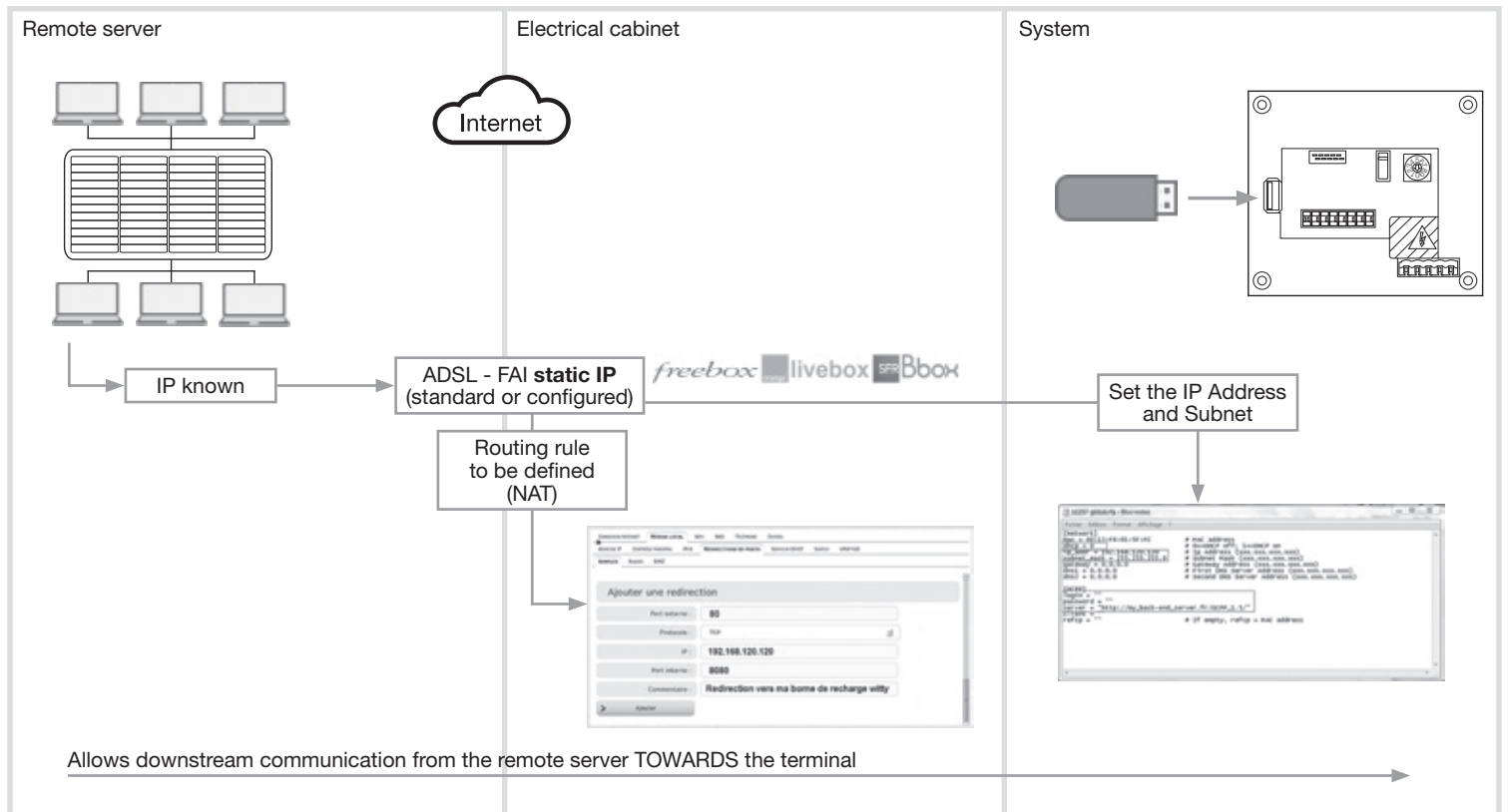
#### 4. Remote server towards terminal

To communicate with the terminal, it is necessary to know the IP address of the terminal's internet access point at all times, along with the internal routing to locate the terminal.

Depending on the project, one of the following configurations will be prioritised.

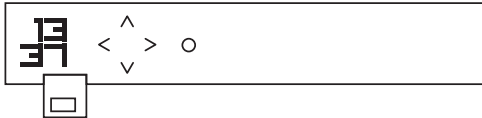


#### 4.1 Connection to an Internet box



## 4.1.1 Configuration of the box (Example of a freebox revolution)

- 1) Administrator interface: <http://mafreebox.freebox.fr/> + password
- 2) "Local Network" menu
- 3) "Port forwarding" tab. (NAT rule, NAT virtual server or LAN server for other boxes)
- 4) Definition of the external port = **80** for the box
- 5) **TCP Protocol**
- 6) IP Address = local address of the terminal= **192.168.120.120** for example
- 7) Internal port = port of the terminal= **8080**



## 4.1.2 Configuration of the terminal

IP allocation rule  
 STATIC IP  
 DHCP = 0

Local static IP address of the terminal  
 192.168.120.120  
 + masked  
 255.255.255.0

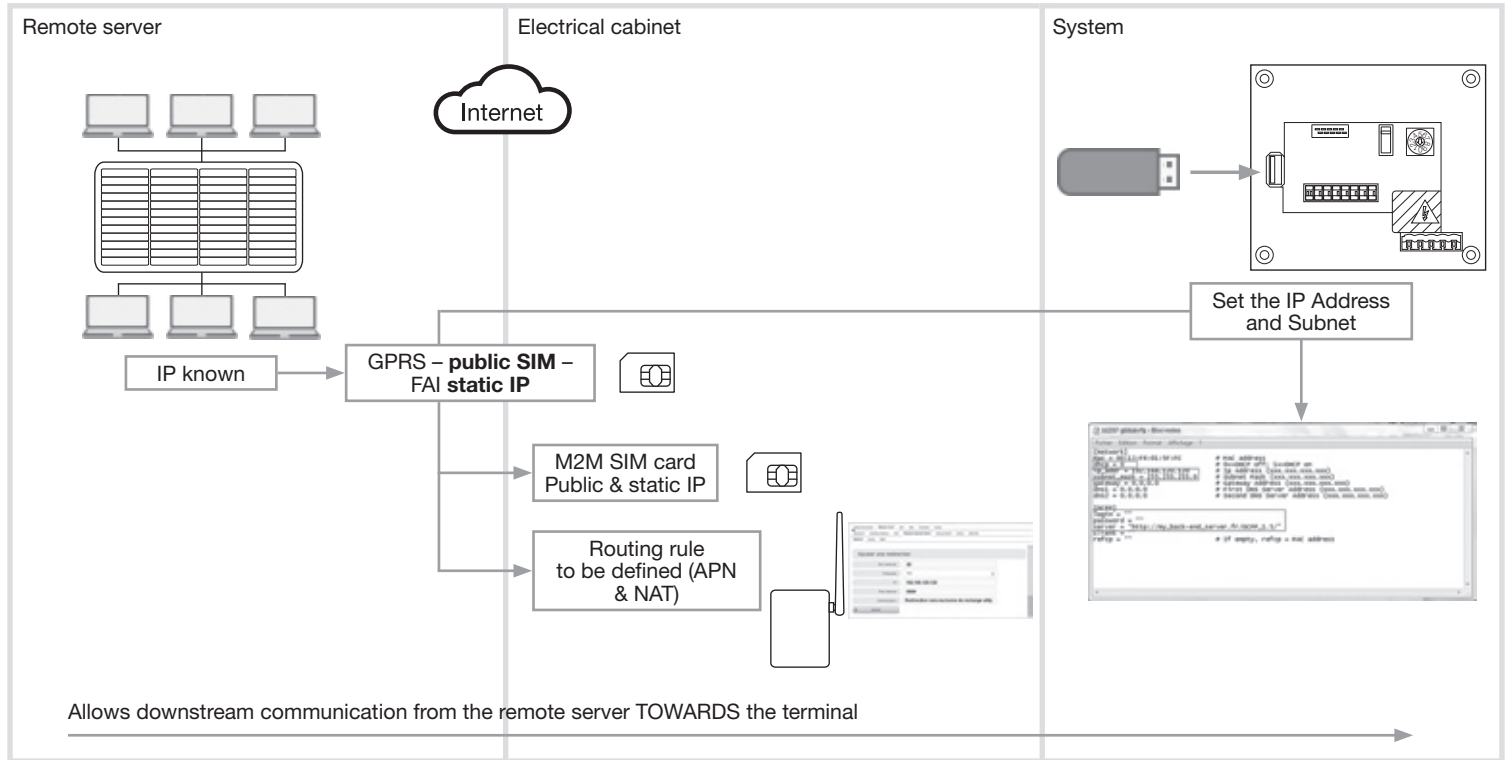
Address of the remote server  
 + login/password

```

b1237 global.cfg - Bloc-notes
Fichier Edition Format Affichage ?
[Network]
mac = 00:13:F6:01:5F:FC          # MAC address
dhcp = 0                        # 0=>DHCP off; 1=>DHCP on
ip_addr = 192.168.120.120       # Ip Address (xxx.xxx.xxx.xxx)
subnet_mask = 255.255.255.0    # Subnet Mask (xxx.xxx.xxx.xxx)
gateway = 0.0.0.0              # Gateway Address (xxx.xxx.xxx.xxx)
dns1 = 0.0.0.0                 # First DNS Server Address (xxx.xxx.xxx.xxx)
dns2 = 0.0.0.0                 # Second DNS Server Address (xxx.xxx.xxx.xxx)

[ocpp]
login = ""
password = ""
server = "http://my_back-end_server.fr/OCPP_1.5/"
client = ""
refcp = ""                      # If empty, refcp = MAC address
  
```

## 4.2 Connection to a GPRS modem with static IP



### 4.2.1 Purchase an M2M SIM card

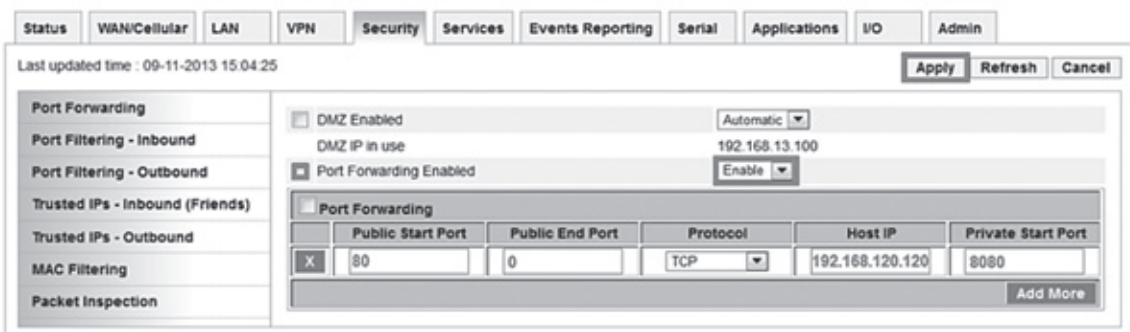
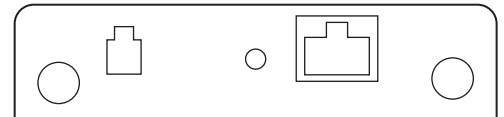
Specific features

- Public IP
- Fixed or static IP
- Know the APN (Access Point Name)

### 4.2.1 Configuration of the modem (Example: LS300 from Sierra)

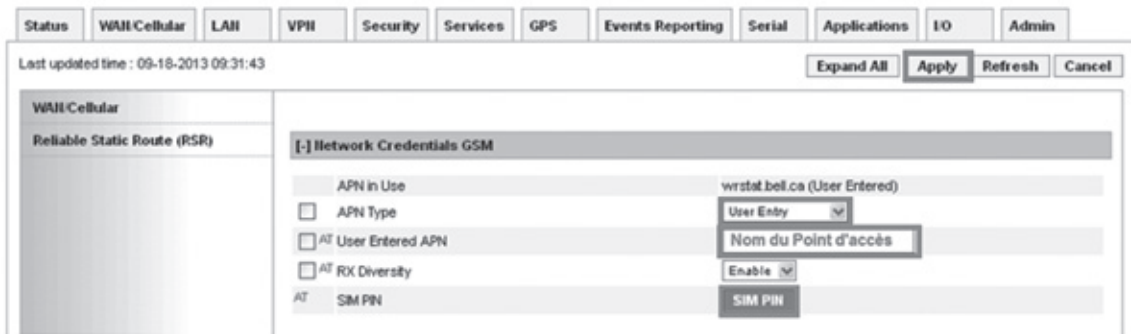
Routing rule from the exterior towards the terminal

- 1) Administrator interface: <http://192.168.13.31:9191>
- 2) Login = user ID + password = 12345
- 3) "Security" tab. (NAT rule, NAT virtual server or LAN server for other modems)
- 4) Activate Port Forwarding = Enable
- 5) Public Start Port = **80**
- 6) Public End Port = 0 (or 80 depending on the modem)
- 7) **TCP Protocol**
- 8) Host IP = local address of the terminal = **192.168.120.120** for example
- 9) Internal port = port of the terminal = **8080**
- 10) **Confirm by pressing Apply**



## 4.2.2 Configure the Internet Network Access Point of the Modem

- 1) "WAN/Cellular" tab.
- 2) Network Credentials GSM paragraph
- 3) APN Type = User Entry (the user defines the APN)
- 4) User Entered APN = APN of your SIM card
- 5) SIM PIN = option if your SIM card has a PIN code
- 6) **Confirm by: Apply**
- 7) **Reboot the modem**

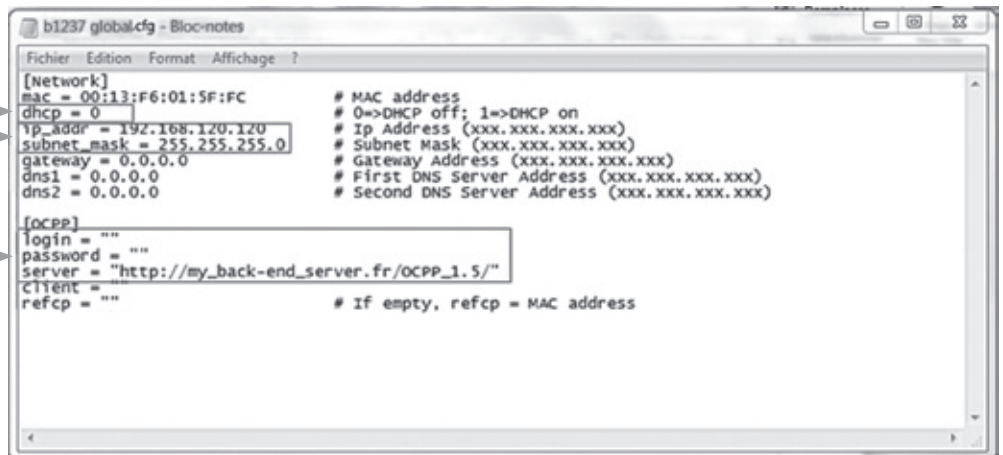


## 4.2.3 Configuration of the terminal

IP allocation rule  
 STATIC IP  
 DHCP = 0

Local static IP address of the terminal  
 192.168.120.120  
 + masked  
 255.255.255.0

Address of the remote server  
 + login/password





Address of the remote server  
+ login/password

```
b1237 global.cfg - Bloc-notes
Fichier Edition Format Affichage ?
[Network]
mac = 00:13:F6:01:5F:FC      # MAC address
dhcp = 0                    # 0=>DHCP off; 1=>DHCP on
ip_addr = 192.168.120.120   # Ip Address (xxx.xxx.xxx.xxx)
subnet_mask = 255.255.255.0 # Subnet Mask (xxx.xxx.xxx.xxx)
gateway = 0.0.0.0          # Gateway Address (xxx.xxx.xxx.xxx)
dns1 = 0.0.0.0            # First DNS Server Address (xxx.xxx.xxx.xxx)
dns2 = 0.0.0.0            # Second DNS Server Address (xxx.xxx.xxx.xxx)

[ocpp]
login = ""
password = ""
server = "http://my_back-end_server.fr/ocpp_1.5/"
client = ""
refcp = ""                 # If empty, refcp = MAC address
```

## 6. Precautions for assembly



Please refer to the maintenance manual before starting the installation of the charging station. This device is to be installed only by a professional electrician fitter according to local applicable installation standards. Conform to SELV installation rules.

All information pertaining to the installation (assembly, electrical connection and configuration), connection to the servers as well as the use and maintenance of the terminals are provided in the USB key provided with the terminals and on the Hager website of your country.



**Correct Disposal of this product**  
(Waste Electrical & Electronic Equipment).



**(Applicable in the European Union and other European countries with separate collection systems).**

This marking shown on the product or its literature indicates that it should not be disposed with other household waste at the end of its working life. To prevent possible harm to the environment or human health from uncontrolled waste disposal, please separate this from other types of wastes and recycle it responsibly to promote the sustainable reuse of material resources.

Household users should contact either the retailer where they purchased this product, or their local government office, for details of where and how they can take this device for environmentally safe recycling.

Business users should contact their supplier and check the terms and conditions of the purchase contract. This product should not be mixed with other commercial wastes of disposal.

Usable in all Europe  and in Switzerland