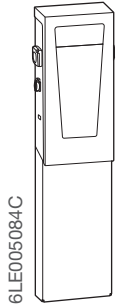


Ⓜ EN Base-mounting with XEV426 and XEV428

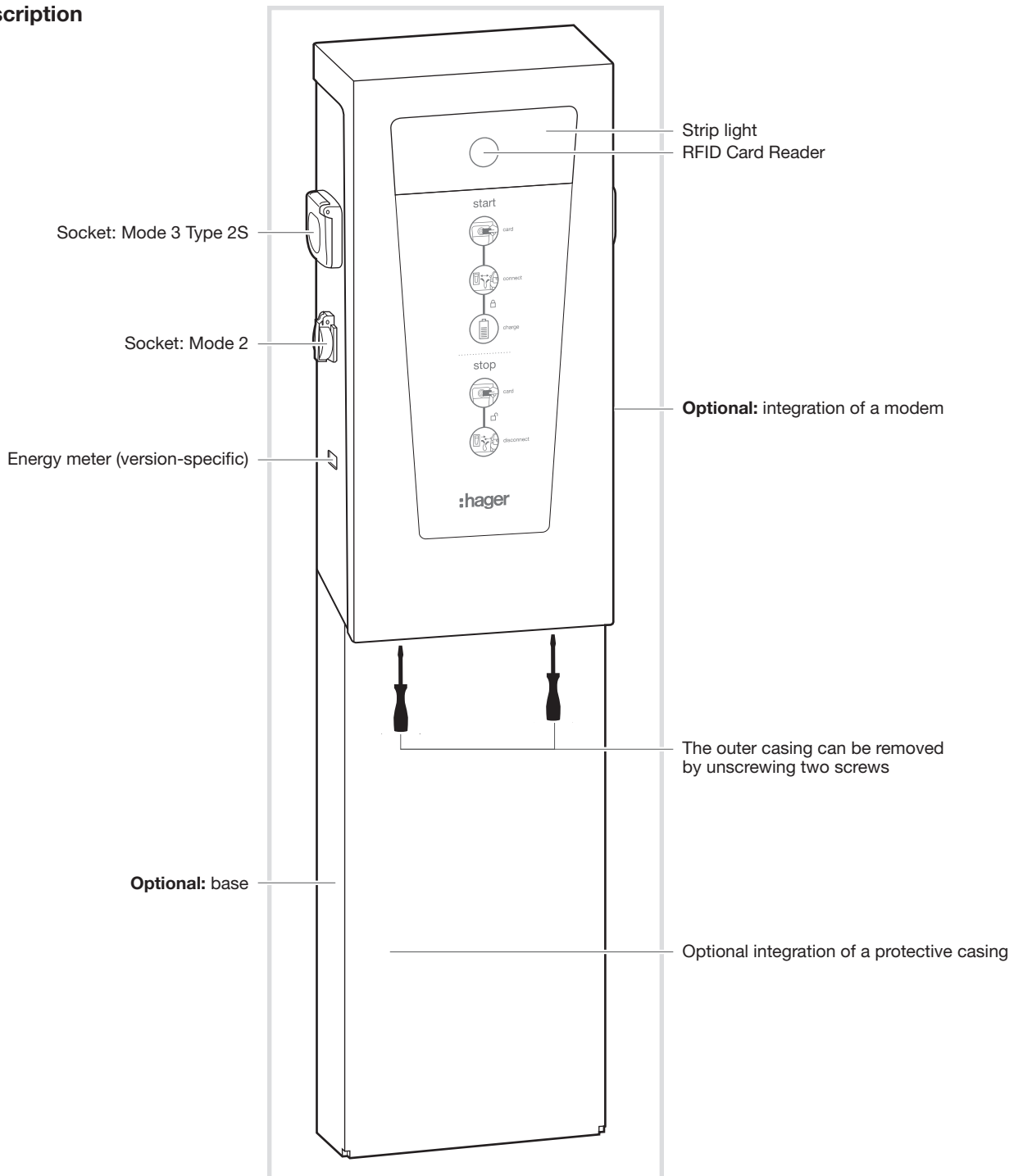


## Witty Light commercial XEV6xx

### 1. Initial precautions

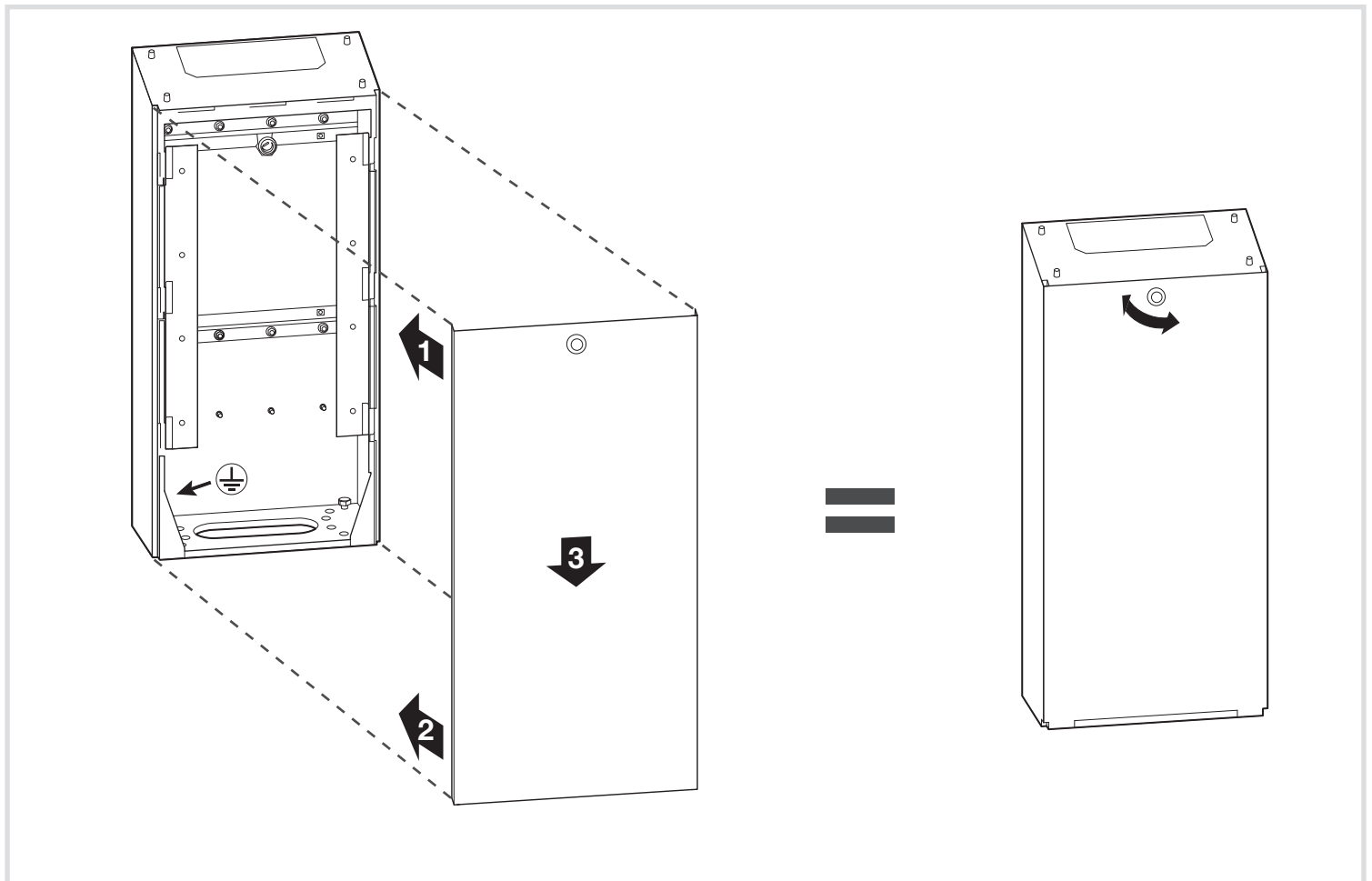
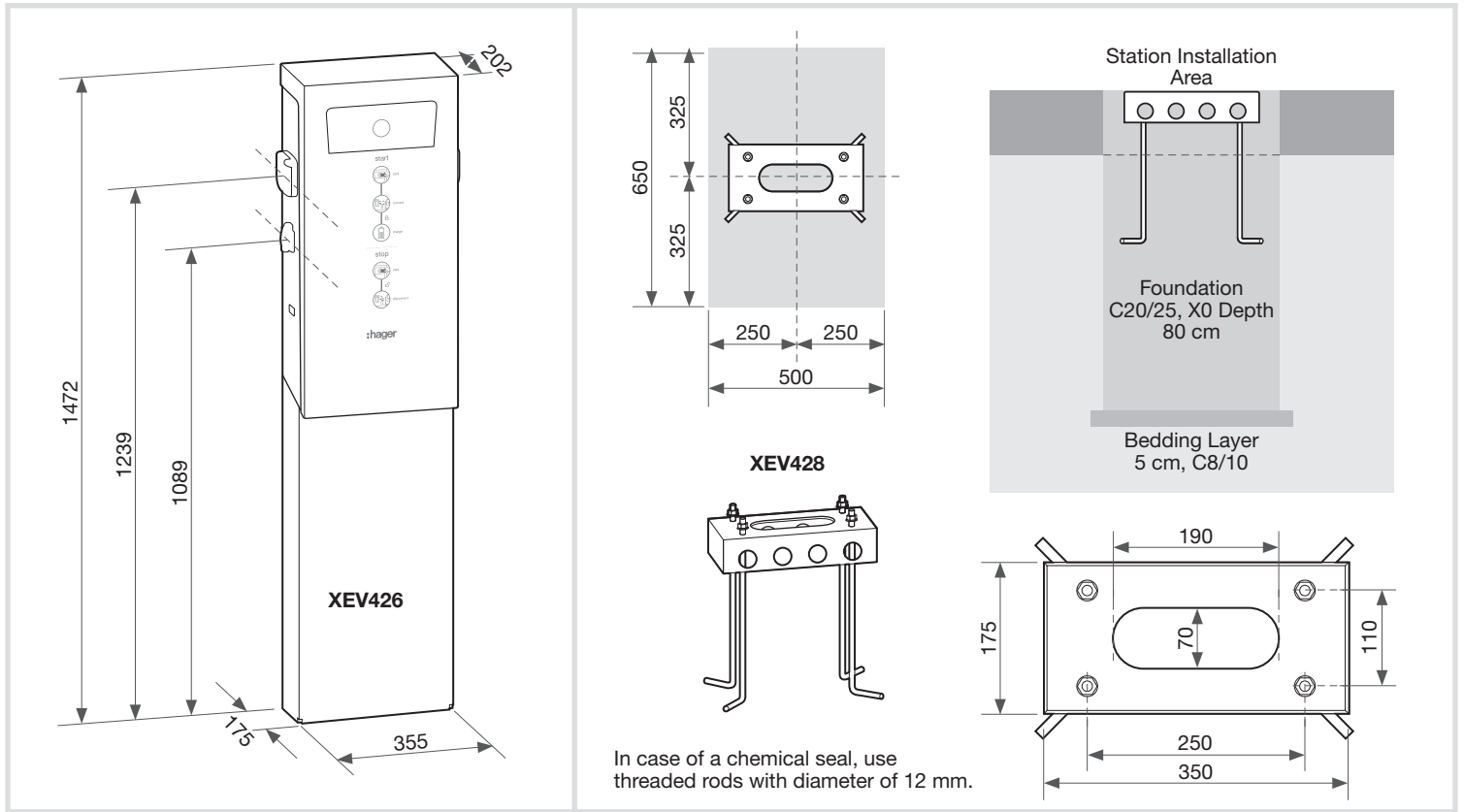
Please refer to the maintenance manual before starting the installation of the charging station. This device is to be installed only by a professional electrician fitter according to local applicable installation standards. Conform to SELV installation rules.

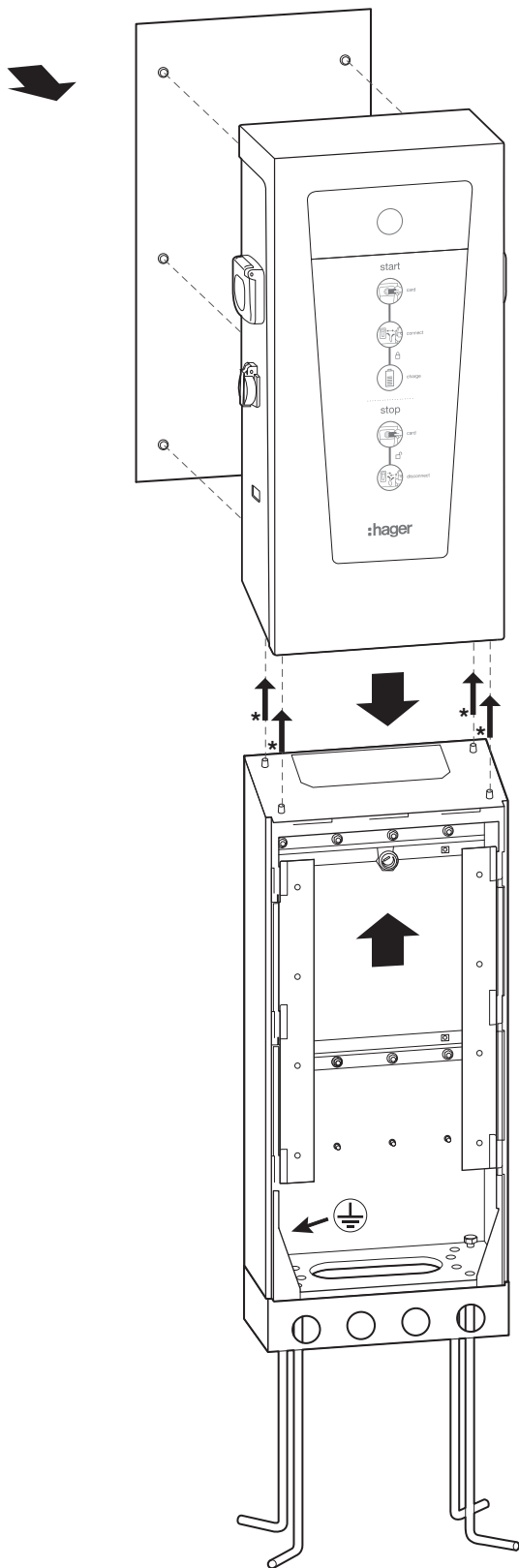
### 2. General description



## Base-mounting with XEV426 and XEV428

### Floor mounting diagrams for XEV426 + XEV428

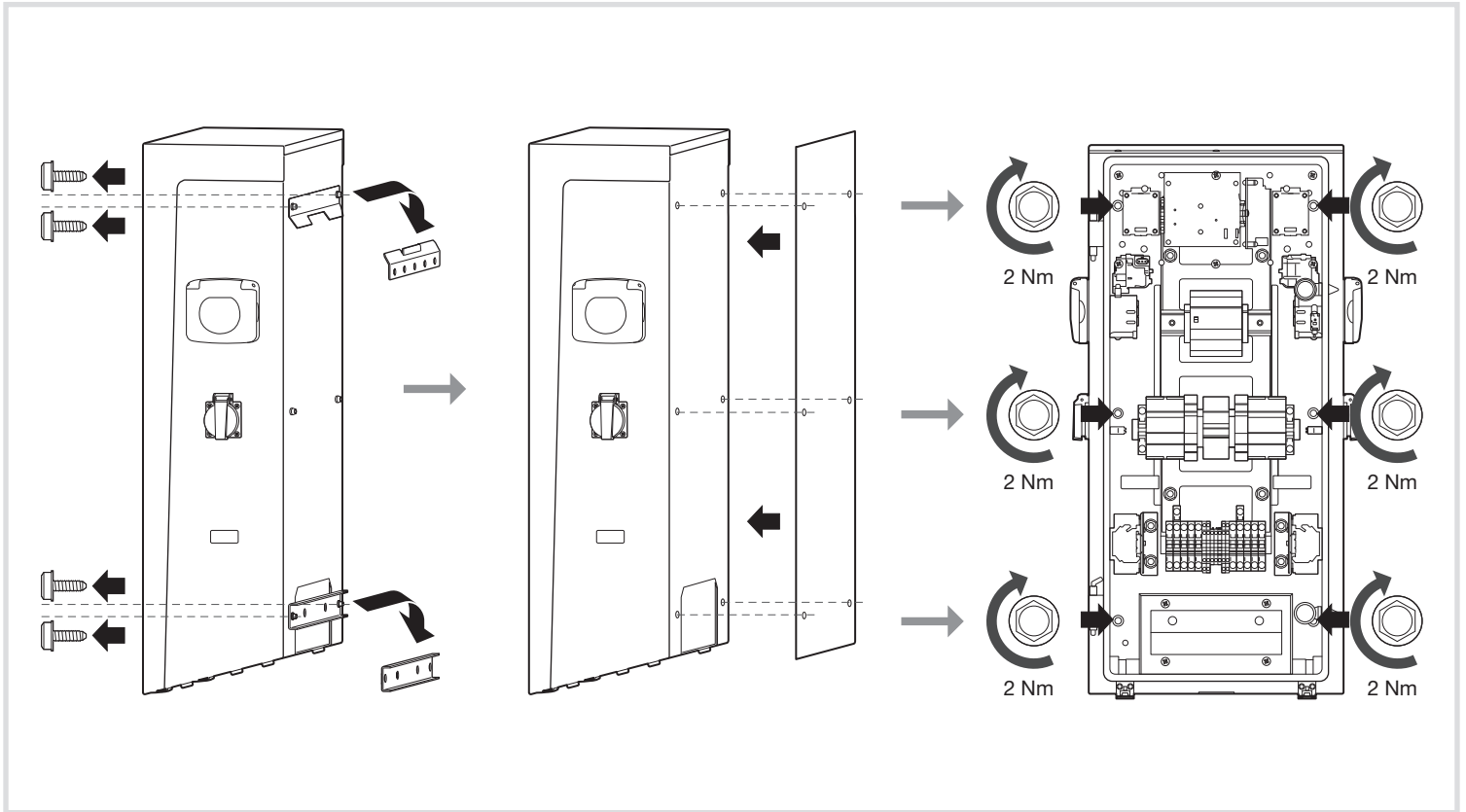




**!** The station **MUST** be mounted on its base **BEFORE** attaching the vector cabinet. The equipotential bonding must be established between the terminal, foot and base.

\* The screws are tightened from the bottom





### 3. Precautions for assembly



Please refer to the maintenance manual before starting the installation of the charging station. This device is to be installed only by a professional electrician fitter according to local applicable installation standards. Conform to SELV installation rules.

All information pertaining to the installation (assembly, electrical connection and configuration), connection to the servers as well as the use and maintenance of the terminals are provided in the USB key provided with the terminals and on the Hager website of your country.



**Correct Disposal of this product**  
(Waste Electrical & Electronic Equipment).



*(Applicable in the European Union and other European countries with separate collection systems).*

This marking shown on the product or its literature indicates that it should not be disposed with other household waste at the end of its working life. To prevent possible harm to the environment or human health from uncontrolled waste disposal, please separate this from other types of wastes and recycle it responsibly to promote the sustainable reuse of material resources.

Household users should contact either the retailer where they purchased this product, or their local government office, for details of where and how they can take this device for environmentally safe recycling.

Business users should contact their supplier and check the terms and conditions of the purchase contract. This product should not be mixed with other commercial wastes of disposal.

Usable in all Europe  and in Switzerland