




Power Mac G5

User's Guide

Includes setup, expansion, and troubleshooting information for your Power Mac G5 computer

 Apple Computer, Inc.
© 2004 Apple Computer, Inc. All rights reserved.

Under the copyright laws, this manual may not be copied, in whole or in part, without the written consent of Apple.

The Apple logo is a trademark of Apple Computer, Inc., registered in the U.S. and other countries. Use of the “keyboard” Apple logo (Option-Shift-K) for commercial purposes without the prior written consent of Apple may constitute trademark infringement and unfair competition in violation of federal and state laws.

Every effort has been made to ensure that the information in this manual is accurate. Apple is not responsible for printing or clerical errors.

Apple
1 Infinite Loop
Cupertino, CA 95014-2084
408-996-1010
www.apple.com

Apple, the Apple logo, AirPort, Apple Store, AppleShare, AppleTalk, DVD Studio Pro, Final Cut Pro, FireWire, iCal, iMovie, iTunes, Mac, Mac OS, Macintosh, Power Mac, Power Macintosh, QuickTime, and Sherlock are trademarks of Apple Computer, Inc., registered in the U.S. and other countries.

Finder, the FireWire logo, iDVD, iPhoto, iPod, Safari, and SuperDrive are trademarks of Apple Computer, Inc.

AppleCare is a service mark of Apple Computer, Inc., registered in the U.S. and other countries.

.Mac is a service mark of Apple Computer, Inc.

ENERGY STAR is a U.S. registered trademark.

PowerPC and the PowerPC logo are trademarks of International Business Machines Corporation, used under license therefrom.

The Bluetooth word mark and logos are owned by the Bluetooth SIG, Inc. and any use of such marks by Apple Computer, Inc. is under license.

This product includes software developed by the University of California, Berkeley, and its contributors.

Other company and product names mentioned herein are trademarks of their respective companies. Mention of third-party products is for informational purposes only and constitutes neither an endorsement nor a recommendation. Apple assumes no responsibility with regard to the performance or use of these products.

Simultaneously published in the United States and Canada.

Contents

Chapter 1	5	Setting Up
	5	Positioning the Computer and Display
	6	Plugging In the Computer
	10	Using a Wireless Keyboard and Mouse
	10	Need Help?
	10	Adjusting Your Display
	11	What's Next?
	12	What to Do When You Have Finished Working
	14	Getting to Know Your Computer
	16	Ports and Connectors—Expanding Your Computer's Capabilities
	18	Inside Your Power Mac G5—Your Computer's Internal Expansion Options
Chapter 2	21	Using Your Computer
	22	Using Your Apple Keyboard
	23	Using Your Apple Mouse
	23	Connecting a Second Display
	24	Connecting a Television, VCR, or Other Video Device
	25	Using Universal Serial Bus (USB)
	27	Using FireWire
	29	Using Audio Devices
	30	Using Bluetooth Devices
	32	Using Your Optical Drive
	34	Using Your Modem
	34	Connecting to an Ethernet Network
	36	AirPort Wireless Internet and Networking
	38	Putting the Computer to Sleep to Save Energy
	38	Transferring Information Between Two Macintosh Computers
Chapter 3	41	Working Inside Your Computer
	42	Opening the Computer
	47	Installing Memory
	54	Installing Internal Storage Devices
	62	Installing a PCI Expansion Card or Replacing the AGP Card

	66	Installing an AirPort Extreme Card
	67	Replacing the Battery
Chapter 4	69	Troubleshooting
	71	Software Problems
	72	Problems With Your Display
	73	Using Apple Hardware Test
	74	Installing Software on Your Computer
	75	Maximizing Ethernet Performance
	75	Locating Your Product Serial Number
Appendix A	77	Specifications
Appendix B	83	Safety, Maintenance, and Ergonomics
	83	Important Safety Information
	85	General Maintenance
	86	Important Ergonomic and Health-Related Information
Appendix C	89	Connecting to the Internet
	91	Gathering the Information You Need
	92	Entering Your Information
	92	Dial-Up Modem With Point-to-Point Protocol (PPP) Connections
	94	DSL, Cable Modem, or LAN Internet Connections
	100	AirPort Extreme Wireless Connection
	103	Troubleshooting Your Connection
	105	Communications Regulation Information
Index	111	

Congratulations on purchasing your new high performance Power Mac G5 computer. This chapter contains instructions for setting up your computer and display.

Your Power Mac G5 features the latest computer technology, including an advanced 64-bit processor, high-speed memory, an AGP 8X Pro graphics card for stunning visuals, and Serial ATA internal storage, all in an anodized aluminum chassis with easy access to internal components.

Positioning the Computer and Display

Pick up the computer by both of its handles using correct lifting techniques. If your display is heavy, use correct lifting techniques when positioning it as well. Position the computer and display so that:

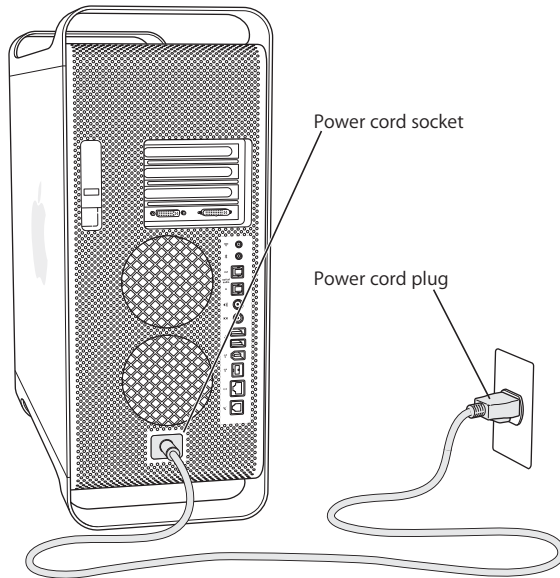
- They are on sturdy, flat surfaces
- The power cable connectors don't press against a wall or other object
- Nothing obstructs airflow in front of, behind, or below the display or computer
- The computer's optical drive tray has space to open in front

Warning: Apple recommends that you operate your Power Mac G5 in an upright position with the side panel in place. The computer does not operate properly when it is placed on its side or when the side panel is removed.

The only way to shut off power completely to your computer and display is to disconnect their power plugs from the power source. Make sure the power cords for your computer and display are within easy reach so that you can unplug the computer or display when you need to.

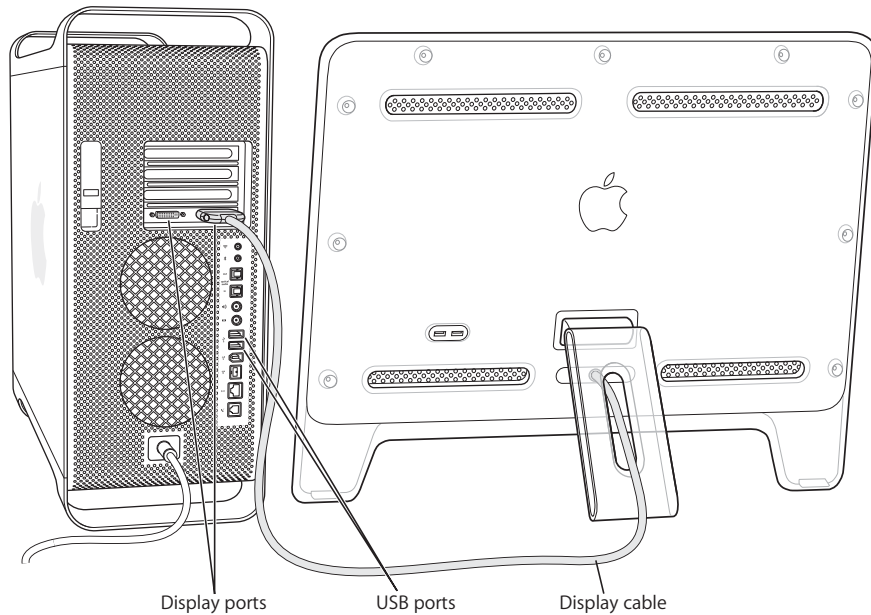
Plugging In the Computer

- 1 Remove any protective film from the inside of the side panel. For instructions about opening the side panel, see “Opening the Computer” on page 42.
- 2 Plug the power cord firmly and completely into the recessed power cord socket on the back of the computer and plug the other end into a grounded outlet or power strip.



3 Connect your display cables according to the following illustration:

Important: Depending on your display, you may have one or more cables to connect. Check the instructions that came with the display for further setup information.



The video card in your computer has these ports:

- An Apple Display Connector (ADC) port to connect Apple flat-panel displays
- A Digital Visual Interface (DVI) port to connect digital displays that have DVI connectors



DVI display port

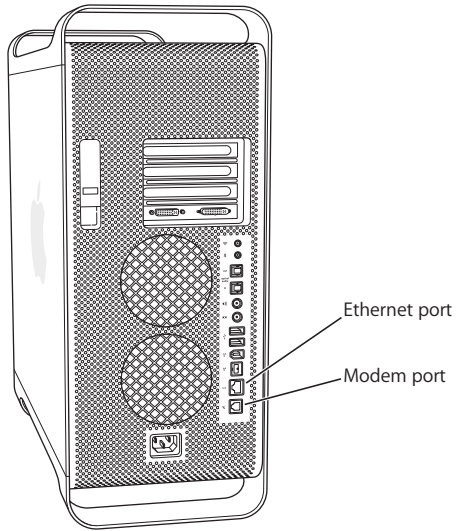


ADC display port

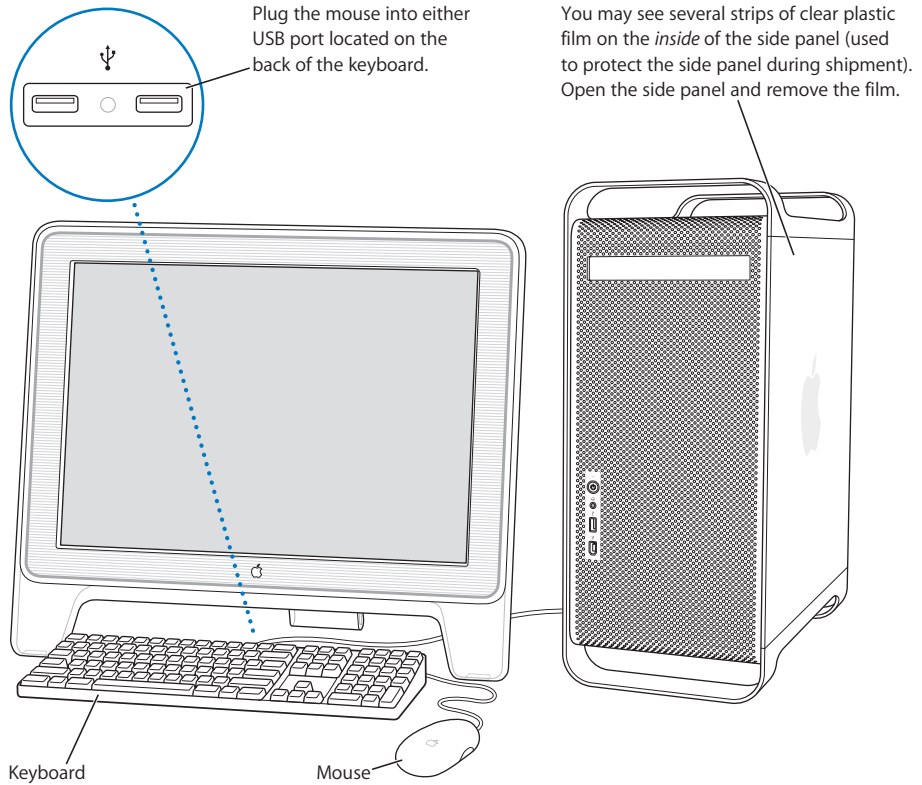
- To connect a VGA display, use a DVI to VGA adapter (supplied with your computer) to connect the display to the DVI port.
- To connect a second ADC display, use a DVI to ADC adapter (not included) to connect the display to the DVI port.
- To connect a television, VCR, or other video device, use a DVI to Video adapter (not included) to connect the device to the DVI port.

For more information about connecting a second display, see the guidelines in Chapter 2, “Using Your Computer.”

- 4 To access the Internet or a network, connect your computer to a DSL or cable modem, connect your modem to an analog phone line, or connect to an Ethernet network.



- 5 Connect the keyboard cable to one of the USB ports (⏏) on the computer or on your display. Plug the mouse cable into a USB port on the keyboard.



Note: If the keyboard cable is not long enough to reach a USB port on your computer, you can use the keyboard extension cable that came with your computer.



Apple keyboard extension cable

- 6 Turn on your computer by pressing the power button (⏻) on the front. With some Apple displays, you can also turn on the computer using the display's power button. If your display must be turned on separately, turn it on by pressing its power button.

Using a Wireless Keyboard and Mouse

If you purchased an Apple Wireless Keyboard and Apple Wireless Mouse with your Power Mac G5, see the instructions that came with the keyboard and mouse to set them up with your computer.

Need Help?

If you don't see anything on your screen or you think your computer did not start up properly, check these items:

- Is the computer plugged into a power source? If it is plugged into a power strip, is the power strip turned on?
- Is the power cord securely plugged into the back of the computer?
- Are the keyboard and display cables connected correctly?
- Is the display turned on? Are the brightness and contrast controls on the display adjusted correctly? If your display has brightness and contrast controls, adjust them.
- Restart your computer. Press and hold the computer's power button for approximately 5 seconds until the computer turns off. Press it again to turn the computer on.
- If you see a blinking question mark on the screen or see a series of flashes from the status light when you turn on the computer, see Chapter 4, "Troubleshooting," on page 69.

Adjusting Your Display

To adjust the settings for your display, choose Apple () > System Preferences and click Displays.

For information about troubleshooting your display, see "Problems With Your Display" on page 72. For information about maintaining your display, see "Maintaining Your Display" on page 86. Additional information about using your display is available in Mac OS Help.

What's Next?

You've done everything you need to get your Power Mac G5 up and running. The first time you turn on your computer, the Setup Assistant starts. The Setup Assistant helps you enter your Internet and email information and set up an account on your computer. If you already have another Mac, the Setup Assistant can also help you transfer files, applications, and other information from your old Mac to your new Power Mac G5.

Transferring Information to Your Power Mac G5

You can use the Setup Assistant to automatically transfer information from another Mac to your new Power Mac G5. To transfer information, make sure of the following:

- You must have a standard 6-pin to 6-pin FireWire cable.
- Your other Mac must have Mac OS X v10.1 or later installed.
- Your other Mac must have built-in FireWire and support FireWire Disk Mode.

The Setup Assistant takes you through the process of transferring your information—just follow the onscreen instructions. Transferring information to your Power Mac G5 does not affect the information on your other Mac. You can transfer:

- User accounts, including preferences and email
- Network settings, so your new computer is automatically set up to work with the same network settings as your other Mac
- Applications* so that all of the applications you used on your other Mac are now on your new Power Mac G5
- Files and folders on your hard drive and partitions. This gives you easy access to the files and folders you used on your old Mac.

*You may have to reinstall some of the applications you transfer.

If you don't use the Setup Assistant to transfer information when you first start up your computer, you can do it later. Go to the Applications folder, open Utilities, and double-click "Setup Assistant."

Setting up Your Power Mac G5 for the Internet

If you didn't transfer your user account and network settings information, the Setup Assistant takes you through the process of configuring your computer and setting it up for the Internet. For home users, Internet access requires an account with an Internet service provider (ISP). Fees may apply.

- If you don't already have an Internet account, the assistant can set you up with one.
- If you already have an Internet account, see Appendix C, "Connecting to the Internet," on page 89 for information you'll need to enter.

What to Do When You Have Finished Working

When you have finished working with your Power Mac G5, you can put your computer to sleep or shut it down.

Putting Your Power Mac G5 to Sleep

If you will be away from your Power Mac G5 for only a short time, put the computer to sleep. When the computer is in sleep, the display's screen is dark. You can quickly wake the computer from sleep and bypass the startup process.

To put the computer to sleep quickly, do one of the following:

- Choose Apple () > Sleep.
- Press the power button.

To wake your computer from sleep:

- Press any key on the keyboard.

For more information on sleep, see "Putting the Computer to Sleep to Save Energy" on page 38.

Shutting Down Your Power Mac G5

If you will not use your Power Mac G5 for a day or two, you should turn it off.

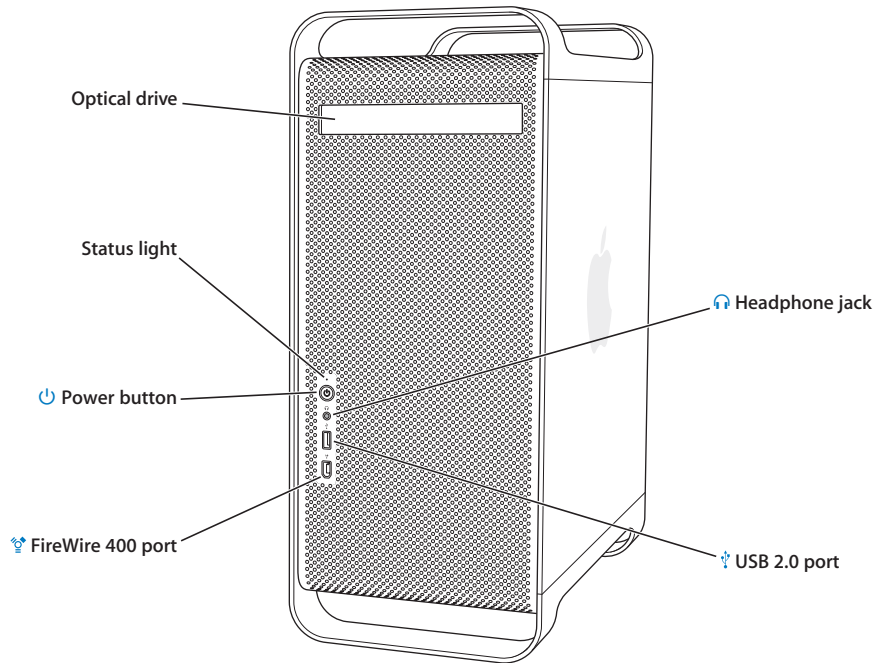
To turn off your computer:

- Choose Apple () > Shut Down.

Warning: Do not turn off the computer by turning off the switch on a power strip or by pulling the computer's power plug (unless you can't turn off the computer any other way). Your files or system software could be damaged if your computer is not shut down properly.

Warning: Shut down your Power Mac G5 before moving it. Moving your computer while the hard disk is spinning can damage the hard disk, causing loss of data or the inability to start up from the hard disk.

Getting to Know Your Computer



Optical drive

Your computer has a Combo drive (DVD-ROM/CD-RW) or a SuperDrive (DVD-R/CD-RW). Both drives can read DVD discs, DVD movies, CD-ROM discs, photo CDs, music CDs, standard audio discs, and other kinds of media. Both drives can write music, documents, and other digital files to blank CD-R and CD-RW discs. The SuperDrive can also write on blank DVD-R discs. To open the optical drive, press the Media Eject (⏏) key on your Apple Keyboard.

Status light

A white light indicates that the computer is on; a pulsing light indicates the computer is in sleep.



Power button

Press this button to turn on your Power Mac G5, put it to sleep, or wake it from sleep. To restart your computer, press and hold this button for approximately 5 seconds until the computer turns off, then press it again to turn the computer on.

With some Apple displays, you can also touch or press the display's power button to turn the computer on or put it to sleep.



FireWire 400 port

Connect your Macintosh to FireWire devices, including an iPod, digital videocameras, and hard disk drives. FireWire provides high-speed data transfer for them all. The FireWire 400 port supports data rates of 100, 200, and 400 megabits per second (Mbps).



Headphone jack

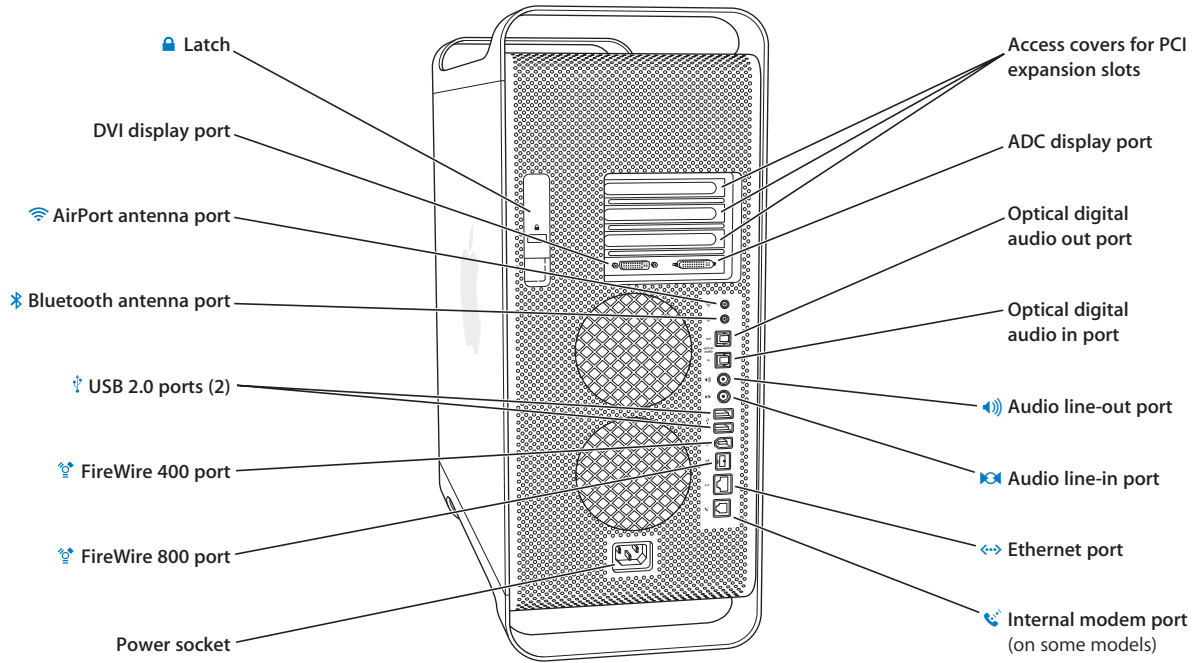
Connect headphones to your Macintosh through the headphone jack. When a plug is inserted into the headphone jack, the built-in speaker is muted.



USB 2.0 port

Connect your Macintosh to USB devices, such as keyboards, mice, printers, scanners, speakers, USB microphones, and USB hubs. Your display may also have USB ports.

Ports and Connectors—Expanding Your Computer's Capabilities





Latch

Lift the latch to open the side panel and access the internal components in your Power Mac G5. You can also attach a security lock to the latch to secure the internal components.

DVI display port

Connect displays that use a Digital Visual Interface (DVI) connector. You can also connect displays that use a video graphics connector (VGA) with the DVI to VGA adapter that came with your computer.



AirPort Extreme antenna port

Connect the AirPort Extreme antenna to this port if your Macintosh has an optional AirPort Extreme Card installed.



Bluetooth antenna port

Connect your Bluetooth® antenna if your Macintosh has an optional Bluetooth module installed.



USB 2.0 ports

Connect your Macintosh to USB devices, such as keyboards, mouse devices, printers, scanners, speakers, USB microphones, and USB hubs. Your Apple Keyboard and your display may also have USB ports.



FireWire 400 and 800 ports

The FireWire 400 port supports data rates of 100, 200, and 400 Mbps. The FireWire 800 port supports data rates of 100, 200, 400, and 800 Mbps.

Power socket

Connect the computer's power cord.

Access covers for PCI expansion slots (3)

Expand your Macintosh by installing up to three Peripheral Component Interconnect (PCI) cards in the covered slots labeled 2, 3, and 4.

ADC display port

Connect displays that use an Apple Display Connector (ADC) connector.

Optical digital audio out port

Connect your Macintosh to a receiver or other digital audio devices.

Optical digital audio in port

Connect your Macintosh to digital audio devices, such as CD players and minidisc players.



Analog audio line-out port

Connect self-powered MP3, CD, and other audio equipment to your Macintosh.



Analog audio line-in port

Connect self-powered microphones and other audio equipment to your Macintosh.



10/100/1000 twisted-pair Ethernet port

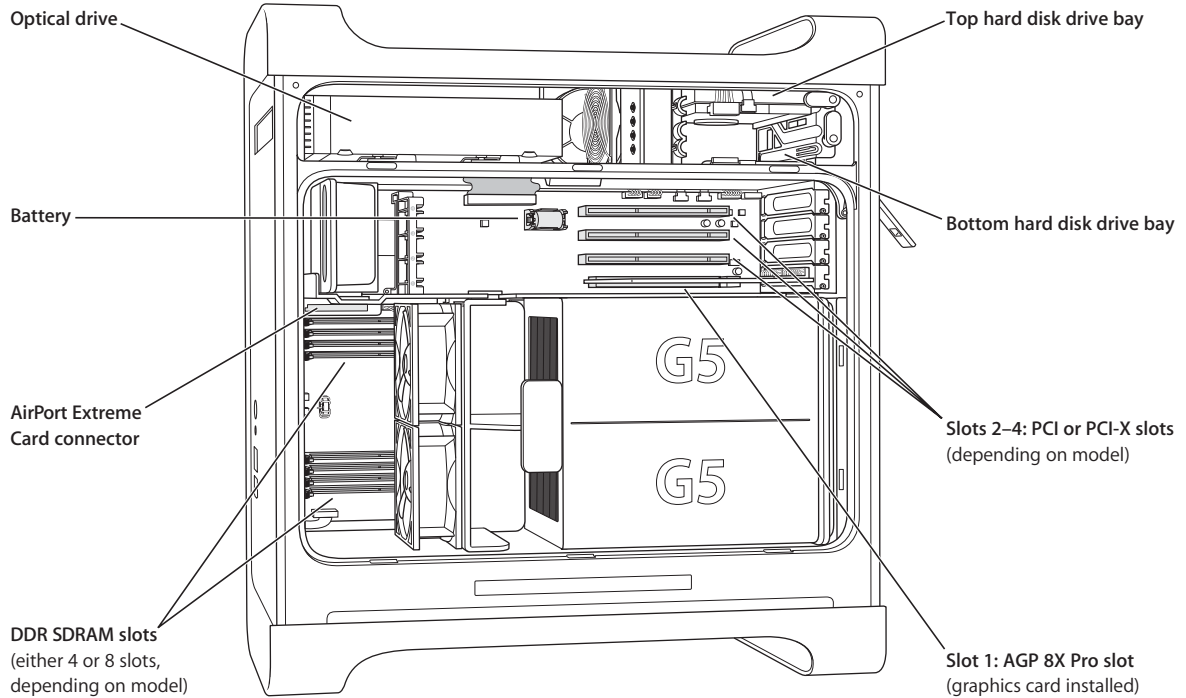
Connect your Macintosh to a high-speed Ethernet network to access the Internet or network resources such as printers and servers, and share information over the network.



Internal modem port

Connect a standard phone line if your Macintosh has an optional internal 56K V.92 modem.

Inside Your Power Mac G5—Your Computer's Internal Expansion Options



Optical drive

Your computer comes with either a Combo drive (DVD-ROM/CD-RW) or a SuperDrive (DVD-R/CD-RW). For information about the optical drive, see “Using Your Optical Drive” on page 32.

Battery

Your computer uses a battery that you rarely need to replace. If your computer has trouble starting up, or the system date and time are frequently incorrect, you may need to replace the battery. For more information, see “Replacing the Battery” on page 67.

AirPort Extreme Card connector

Connect an AirPort Extreme Card, which allows your computer to communicate with a network wirelessly. For more information, see “Installing an AirPort Extreme Card” on page 66.

DDR SDRAM slots

Expand your computer’s memory up to 4 or 8 gigabytes (GB), depending upon your computer model. You can add additional memory by inserting DDR SDRAM DIMMs in pairs in the memory slots. For more information, see “Installing Memory” on page 47.

Hard disk drive bays

Your computer comes with a hard disk drive installed in the top hard disk drive bay. You can install an additional hard disk drive in the bottom hard disk drive bay. You can have up to two Serial ATA drives in the computer. For more information, see “Installing Internal Storage Devices” on page 54.

PCI or PCI-X slots

Depending upon the model, your computer has PCI or PCI-X expansion slots, for a total of three slots. You can install PCI cards in slots 2 through 4 to expand your computer’s capabilities. For more information, see “Installing a PCI Expansion Card or Replacing the AGP Card” on page 62.

AGP 8X Pro slot

Connect your display through the card in the advanced graphics port (AGP) 8X Pro slot, which provides accelerated graphics processing power. You can connect a display that has an Apple Display Connector (ADC) or a Digital Visual Interface (DVI) connector.

Additional Information

If you would like additional information, see the following:

To learn about...	See...
Shutting down your computer or putting it to sleep	"What to Do When You Have Finished Working" on page 12.
Using a specific hardware feature of your Power Mac G5	Chapter 2, "Using Your Computer," on page 21.
Installing additional drives, memory, and cards, or changing the battery	Chapter 3, "Working Inside Your Computer," on page 41.
What to do if you have a problem that prevents you from using your computer	Chapter 4, "Troubleshooting," on page 69.
Installing Classic support to use Mac OS 9 applications with your computer	Chapter 4, "Troubleshooting," on page 69
Connecting your computer to the Internet	Appendix C, "Connecting to the Internet," on page 89.

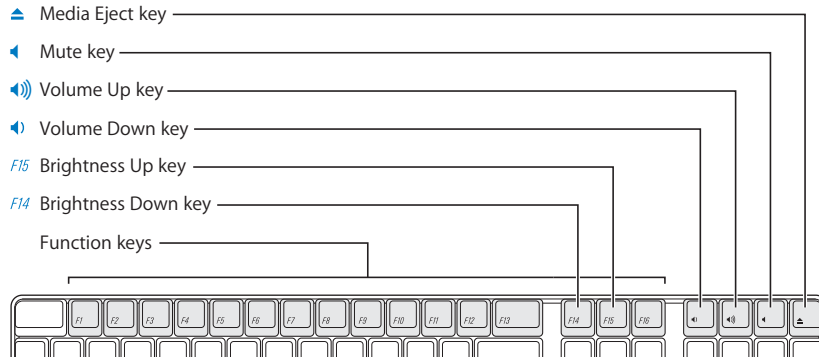
This chapter provides instructions for using the important features of your Power Mac G5 computer, including your keyboard, mouse, FireWire, USB, audio, Bluetooth wireless technology, and networking.

Explanations are provided for:

- “Using Your Apple Keyboard” on page 22
- “Using Your Apple Mouse” on page 23
- “Connecting a Second Display” on page 23
- “Connecting a Television, VCR, or Other Video Device” on page 24
- “Using Universal Serial Bus (USB)” on page 25
- “Using FireWire” on page 27
- “Using Audio Devices” on page 29
- “Using Bluetooth Devices” on page 30
- “Using Your Optical Drive” on page 32
- “Using Your Modem” on page 34
- “Connecting to an Ethernet Network” on page 34
- “AirPort Wireless Internet and Networking” on page 36
- “Putting the Computer to Sleep to Save Energy” on page 38
- “Transferring Information Between Two Macintosh Computers” on page 38

Using Your Apple Keyboard

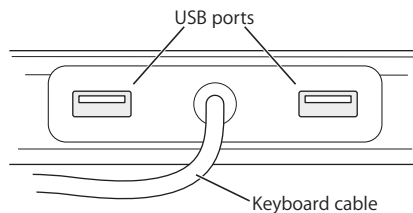
Your Apple Keyboard comes with function keys preset for common tasks. Press the Media Eject (\blacktriangle) key to eject discs from the optical drive. Press the Volume Up or Volume Down keys to adjust the sound level or press the Mute key to turn sound on or off. Use the Brightness Up and Brightness Down keys to adjust the level of brightness on an Apple display.



Note: Press the F12 key on a non-Apple keyboard to eject optical discs.

The Apple Keyboard has two Universal Serial Bus (USB) 1.1 ports. You can plug your mouse cable or other USB devices in the USB ports at the back of the keyboard.

Note: If you purchased an Apple Wireless Keyboard with your Power Mac G5, see the instructions that came with your keyboard for more information.



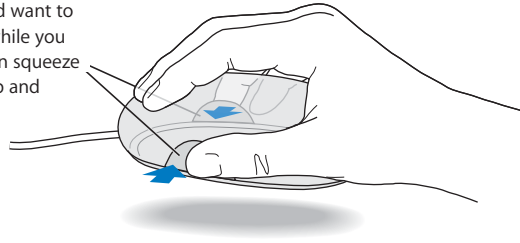
For More Information About Your Keyboard

Additional information about your keyboard is available in Mac OS Help. Choose Help > Mac Help and search for "keyboard."

Using Your Apple Mouse

Your Apple Mouse uses optical tracking. To position the pointer using your mouse, move the mouse over any suitable surface such as your desktop, mouse pad, or other textured surface. (Some smooth, glassy surfaces provide less pointer control than others.) To click an object, press down once on the mouse body until you feel a click. To double-click an item, press down twice in quick succession.

If you run out of room and want to keep the mouse clicked while you lift it, click the mouse, then squeeze the sides with your thumb and fingers as you lift.



Note: If you purchased an Apple Wireless Mouse with your Power Mac G5, see the instructions that came with your mouse for more information.

For More Information About Your Mouse

Additional information about your mouse is available in Mac OS Help. Choose Help > Mac Help and search for “mouse.”

Connecting a Second Display

You can connect two displays to your graphics card and use both displays at the same time. When a second display is connected, you can either have the same image appear on both displays (known as *mirroring*) or use the second display to extend the size of the Mac OS X desktop (known as *extended desktop mode*). You need the appropriate cable for each display you want to connect.

To use multiple displays:

- 1 Turn off the displays and shut down your computer.
- 2 Connect the video cable from each display to the appropriate port on the graphics card.
- 3 Turn on the displays and start up your computer.

To adjust the displays, choose Apple () > System Preferences and click Displays.

By default, your computer starts up in extended desktop mode. To work in mirroring mode, choose Apple () > System Preferences, click Displays, and choose Mirroring.

For More Information on Displays

For information about connecting your display, see the setup instructions in Chapter 1, “Setting Up.”

Additional information on using and configuring an external display is available in Mac OS Help. Choose Help > Mac Help and search for “display.”

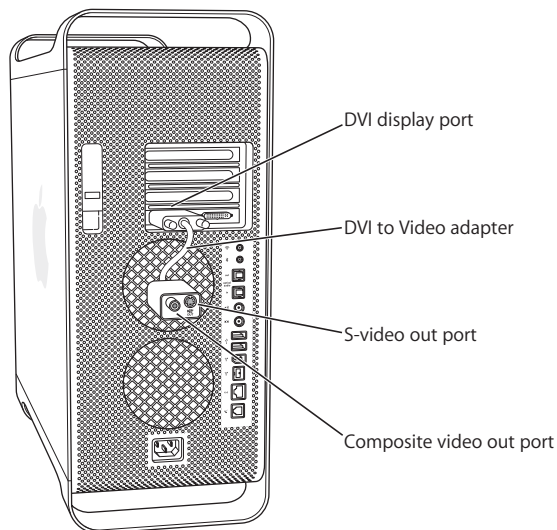
Connecting a Television, VCR, or Other Video Device

You can connect your Power Mac G5 to a television, VCR, projector, or other external video device using the DVI to Video adapter, designed for use with the Power Mac G5. The DVI to Video adapter is available from your Apple Authorized Reseller, an Apple retail store, or online from the Apple Store at www.apple.com/store.

To connect a video device:

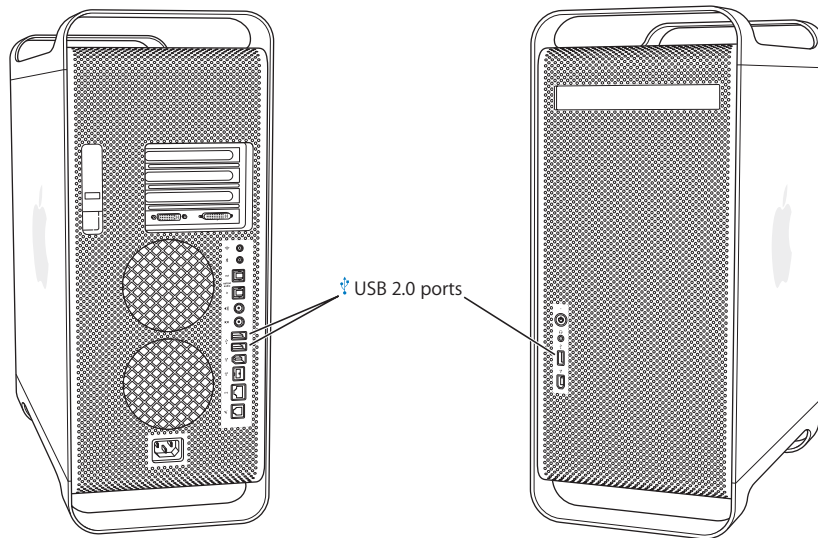
- 1 Turn off the video device and shut down your computer.
- 2 Connect the DVI end of the DVI to Video adapter to the DVI port on your Power Mac G5 graphics card.
- 3 Connect the other end of the adapter to the Composite (RCA) video port or the S-video port on the TV, VCR, or projector.
- 4 Turn on the video device and start up your computer.

To adjust the image, choose Apple () > System Preferences and click Displays.



Using Universal Serial Bus (USB)

Your Power Mac G5 comes with three USB 2.0 ports; one on the front and two on the back. Your Apple Keyboard also has two USB 1.1 ports. You can use your USB ports to connect many types of external devices, including printers, scanners, digital cameras, microphones, game pads, joysticks, keyboards, mice, and storage devices. USB makes it easy to connect external equipment. In most cases, you can connect and disconnect a USB device while the computer is running. Once you connect the device, it is ready to use. You don't need to restart your computer.



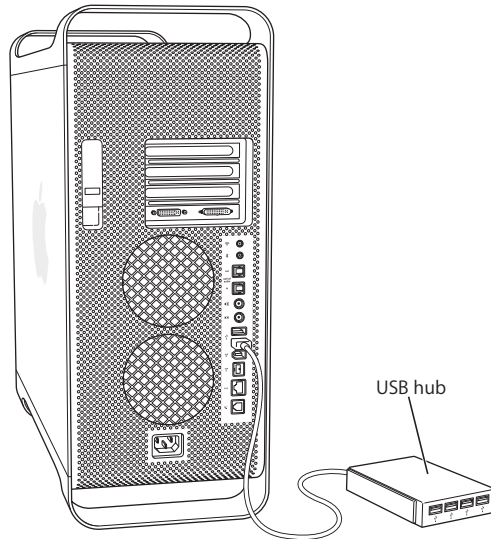
Using USB Devices

Apple has already included software to work with many USB devices. In most cases, you do not need to install the software that came with the device. When you connect a USB device, if your Power Mac G5 cannot find the correct software, you can either install the software that came with the device or contact the device manufacturer to locate, download, and install the correct software.

Connecting Multiple USB Devices

If you want to connect more than three USB devices, you can purchase a USB hub. The USB hub connects to an open port on your computer and provides additional USB ports (usually four or seven).

Note: To use certain USB devices, you may need a powered USB hub.



For More Information on USB

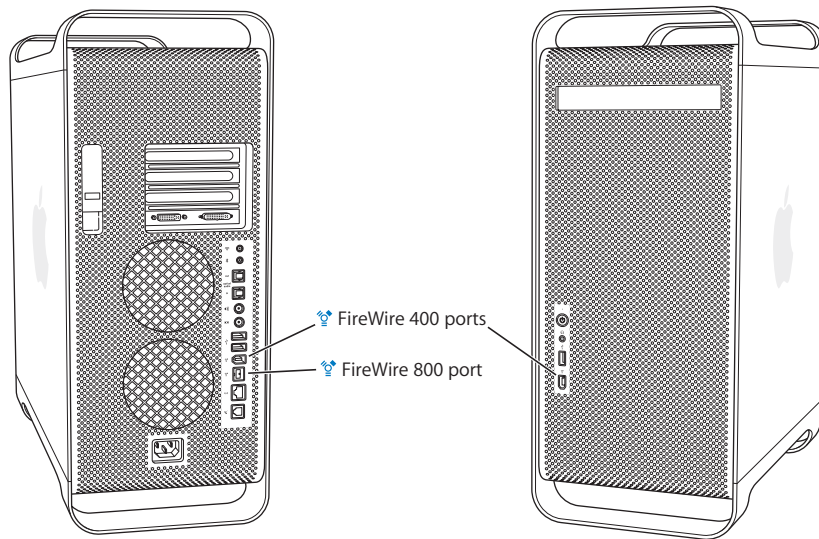
Additional information on USB is available in Mac OS Help. Choose Help > Mac Help and search for "USB." You can also find information on the Apple USB website at www.apple.com/usb.

For information on USB devices available for your computer, go to the Macintosh Products Guide at www.apple.com/guide.

Using FireWire

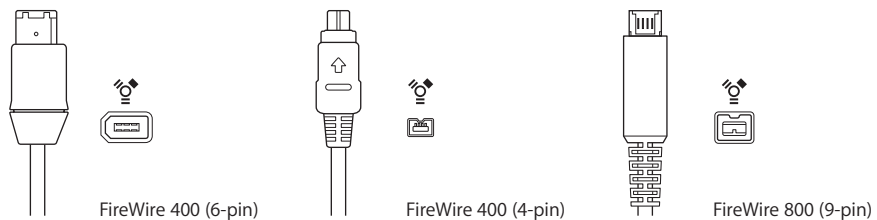
FireWire is a high-speed data transfer system that lets you easily connect and disconnect external devices—such as iPod devices, digital video (DV) cameras, printers, scanners, and hard disk drives. You can connect and disconnect FireWire devices without restarting your computer. Your computer includes three external FireWire ports.

- Two FireWire 400 ports, one on the front and one on the back, support a maximum data rate of up to 400 megabits per second (Mbps).
- One high-speed FireWire 800 port on the back supports a maximum data rate of up to 800 megabits per second (Mbps).



The FireWire 800 port on your Power Mac G5 transfers data from 800 Mbps FireWire devices much faster than was possible before. This port has a 9-pin connector, and is compatible with original FireWire devices with 6-pin or 4-pin connectors.

With an appropriate cable, the 9-pin port works seamlessly with all FireWire devices. Cables are available for connecting the 9-pin port to 4-pin, 6-pin, and 9-pin devices.



Using FireWire Devices

With FireWire you can:

- Connect a FireWire digital videocamera and capture or transfer high-quality video directly to or from your computer. Then use video-editing software such as iMovie to edit the video.
- Connect an external FireWire hard disk drive to back up data or transfer files. A disk drive with the FireWire icon appears on your desktop after you connect the hard disk drive to your Power Mac G5. Some FireWire hard disk drives get their power through the FireWire cable, so you don't need to connect an external power supply.
- If you have a problem with your computer that prevents you from starting up or you want to transfer files, you can use FireWire to connect your Power Mac G5 to another computer so that your Power Mac G5 appears as an external hard disk on the other computer (a feature known as *FireWire Target Disk Mode*). See "FireWire Target Disk Mode," next, for more information.

To use a FireWire device, connect the device to the computer and install any software that came with the device. Your computer automatically detects when you connect a new device.

To start up from a FireWire hard disk that has Mac OS X on it, choose Apple () > System Preferences, click Startup Disk, and select the FireWire hard disk.

If your FireWire hard disk doesn't appear or can't be selected, consult the FireWire hard disk vendor for updated software drivers.

To disconnect your FireWire hard disk safely, drag its icon to the Trash before disconnecting the FireWire cable.

FireWire Target Disk Mode

If you want to transfer files between your Power Mac G5 and another FireWire-equipped computer, or you have a problem that prevents your computer from starting up, you can use FireWire Target Disk Mode to connect your Power Mac G5 to another computer.

Note: Your Power Mac G5 can operate in FireWire Target Disk Mode if the other computer is running any version of Mac OS X or Mac OS 9 with FireWire version 2.3.3 or later installed. Use System Profiler (located in Applications/Utilities) to check the version of FireWire installed. If the other computer has an older version, check for an update at the AppleCare Support website at www.apple.com/support.

To connect your Power Mac G5 in FireWire Target Disk Mode:

- 1 Shut down your Power Mac G5.
- 2 Use a FireWire cable with the appropriate 6- or 9-pin connector on each end to connect your computer to another FireWire-equipped computer.

- 3 Start up your Power Mac G5 and immediately hold down the T key.
Your Power Mac G5 display shows the FireWire disk mode indicator, and the Power Mac G5 internal hard disk icon appears on the other computer's desktop.
- 4 When you have finished transferring files, drag the Power Mac G5 hard disk icon to the Trash on the other computer to unmount the drive.
- 5 Press the power button on the Power Mac G5 to shut it down, and then disconnect the FireWire cable.

For More Information on FireWire

More information on FireWire is available on the Apple FireWire website at www.apple.com/firewire. You can also find information in Mac OS Help. Choose Help > Mac Help and search for "FireWire." For information on the FireWire devices available for your computer, go to the Macintosh Products Guide at www.apple.com/guide.

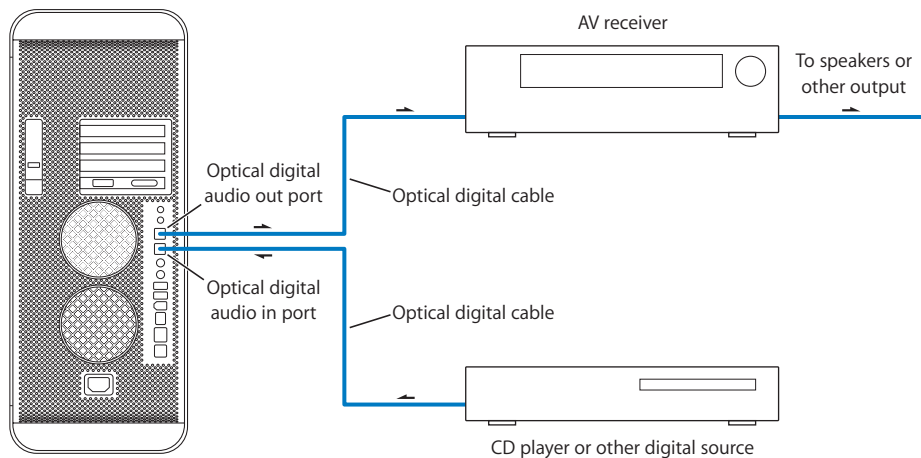
Using Audio Devices

Your Power Mac G5 comes with comprehensive audio capabilities, including a headphone jack on the front and optical digital audio out, optical digital audio in, analog audio line-out, and analog audio line-in ports on the back.

Optical Digital Audio Ports

You can use a digital optical or Toslink cable to connect Digital Audio Tape (DAT) decks or CD players to the optical digital audio in port and input and mix your own music.

You can also connect an audio or AV receiver to the optical digital audio out port and set up a Power Mac G5-based home theater system.



Headphone Jack

You can plug headphones into the computer's headphone jack. When a plug is inserted into this jack, your internal, built-in speaker is muted.

Important: Do not plug line-out devices into the headphone jack. Use the analog line-out port on the back instead.

Analog Audio Ports

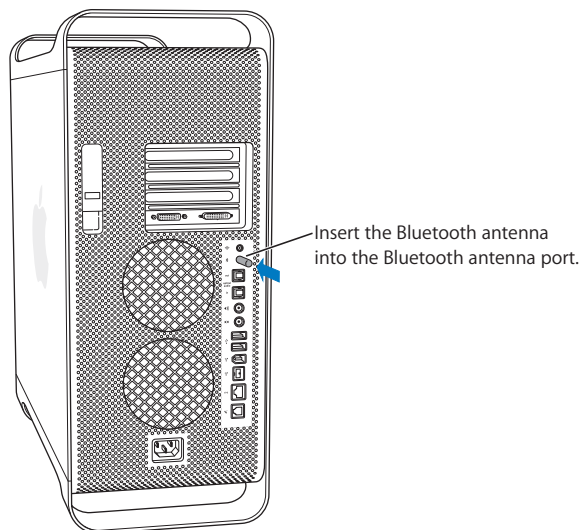
You can connect external microphones or other audio equipment to the analog mini jacks on the back of the computer for line in and line out.

Use the Sound pane of System Preferences to select the audio input or output device you want to use.

Using Bluetooth Devices

Your Power Mac G5 can connect to and transfer information to devices that use Bluetooth® wireless technology, such as Apple's wireless keyboard and mouse, cell phones, Personal Digital Assistants (PDAs), and printers, eliminating the need for cables that traditionally connect devices together. Bluetooth devices can communicate with each other within a 30-foot range.

If your computer came with a built-in Bluetooth module, remember to install the Bluetooth antenna that came with your computer into the Bluetooth antenna port (✱) on the back of the computer. The small cylindrical Bluetooth antenna provides reception for Bluetooth devices.



Here are just a few of the things you can do with Bluetooth wireless technology:

- Use an Apple Wireless Keyboard or Apple Wireless Mouse with your Power Mac G5.
- Communicate with your handheld PDA. Perform a HotSync operation without cables or send your business card or calendar events directly to a colleague's PDA.
- Use your Power Mac G5 to communicate with a Bluetooth technology mobile phone. Use iSync to keep your phone updated with the contact information from Address Book on your Macintosh.

If your Power Mac G5 did not come with a Bluetooth module installed, you can download Bluetooth software and connect an external non-Apple Bluetooth USB adapter to any available USB port on your computer.

For More Information on Bluetooth Wireless Technology

If your computer came with a built-in Bluetooth module, you can get help using Bluetooth technology by opening the Bluetooth File Exchange application (located in Applications/Utilities) and choosing Help > Bluetooth Help. You can also find information on the Apple Bluetooth website at www.apple.com/bluetooth.

Important: Bluetooth modules are not user installable. If you did not purchase your Power Mac G5 with a Bluetooth module installed, you can purchase an external Bluetooth USB adapter from your Apple Authorized Reseller, an Apple retail store, or online from the Apple Store at www.apple.com/store.

Using Your Optical Drive

You can install or use software from CDs or DVDs using your optical drive. You can play multimedia on CD discs and music from audio CDs, and write music, documents, and other digital files to CD-R and CD-RW discs. You can also play DVD movies and use most DVD discs. If your computer came with a SuperDrive, you can record information to blank DVD-R (recordable DVD) discs.

Note: If you have older software that comes on floppy disks, contact the software manufacturer to see if the software is available on a CD, or purchase an external USB floppy disk drive for your Power Mac G5 from your Apple Authorized Reseller, an Apple retail store, or online from the Apple Store at www.apple.com/store.

Inserting a Disc

To install or use programs from a CD or DVD:

- 1 With the computer turned on, press the Media Eject (⏏) key on your Apple Keyboard to open the drive.
- 2 Place a disc in the tray, with the label facing up, and make sure the disc is lying flat.
- 3 Press the Media Eject (⏏) key again or gently push the tray in to close it.

When the icon for the disc appears on the screen, the disc is ready to use.

Ejecting a Disc

You can eject a disc by dragging the disc icon to the Trash, or by pressing the Media Eject (⏏) key on your Apple Keyboard. You can also eject a disc by holding down the mouse button while restarting your computer.

Recording Information on a CD

Your optical drive can record your favorite music, programs, and files on CD-R and CD-RW discs. Create your own music CDs and play them on any standard audio player. You can also record data files, such as applications, documents, or other digital files, on a recordable CD.

With a CD-R (CD-recordable) disc, you can record information on the disc once. Although you can't change the recorded information, you may be able to add more information until the disc is full, depending on the application you use. See the documentation that came with your application for specific information about recording on your CD-R disc. It is best to use CD-R discs for recording audio CDs, because your audio CD player may not read CD-RW (CD-rewritable) discs.

With a CD-RW disc, you can save and change information on your CD multiple times. However, some software for recording media files on CDs can record data on the disc only once.

To record music on a CD-R disc from your iTunes library:

- 1 Open iTunes (click its icon in the Dock).
- 2 Select the playlist you want to record.
- 3 Insert a blank CD-R disc.
- 4 Click Burn CD at the top of the iTunes window.

To record data on a CD-R disc from the Finder:

- 1 Insert a blank CD-R disc.
- 2 In the dialog that appears, enter a name for the disc and select the format you want. An icon for the CD appears on the desktop.
- 3 Double-click the CD icon, then drag files and folders to it.
- 4 Choose File > Burn Disc or select the disc and drag it to the Burn Disc icon in the Dock.

For information about how to use iTunes to record music files on a CD, see iTunes Help. Open iTunes (in Applications) and choose Help > iTunes and Music Store Help.

Recording Information on a DVD

If you have a SuperDrive, you can record an interactive DVD using your own digital movies and a blank DVD-R (DVD-recordable) disc. You can also record other kinds of digital data to DVD-R discs; you can back up files, for example. However, once you record information on a DVD-R disc, it cannot be overwritten.

With applications such as iDVD or DVD Studio Pro, you can create your own customized DVD project, burn it on a blank DVD-R disc, and play it on most standard DVD players.

To burn a disc with iDVD:

- 1 Open iDVD and open your completed DVD project.
- 2 Click the Burn button.
- 3 Insert a new, blank DVD-R disc into the drive when prompted.
- 4 Click the Burn button again.

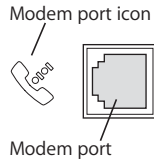
To record data on a DVD-R disc in the Finder:

- 1 Insert a blank DVD-R disc in the drive.
- 2 In the dialog that appears, enter a name for the disc and select the format you want to create. An icon for the DVD appears on the desktop.
- 3 Double-click the DVD icon, then drag files and folders to it.
- 4 Choose File > Burn Disc or select the disc and drag it to the Burn Disc icon in the Dock.

For more information about iDVD, open iDVD (in Applications) and choose Help > iDVD Help.

Using Your Modem

Your Macintosh may come with an Apple 56K internal modem installed. To connect the Apple 56K internal modem, plug one end of the modem cord or RJ-11 cable into the modem port on the back of the computer and the other end into a standard RJ-11 telephone wall jack.



Important: Make sure you connect the internal modem to an analog phone line—the kind used typically in homes. The modem will not work with a digital phone line, which may damage the modem.

For information on how to establish an Internet connection, see Appendix C, “Connecting to the Internet,” on page 89. More information about the internal modem is also available in Mac OS Help.

Warning: Disconnect your modem from the phone jack during lightning or thunder storms to prevent damaging the modem with a voltage overload.

Connecting to an Ethernet Network

Your computer comes with built-in 10/100/1000 megabit per second (Mbps) twisted-pair Ethernet networking capability, which you can use to connect to a network or to a cable or digital subscriber line (DSL) modem.

Connecting to a network gives you access to other computers. You may be able to store and retrieve information; use network printers and electronic mail; or connect to the Internet. You can also use Ethernet to share files between two computers or set up a small network.

If you're connecting to an existing network, you may be able to get information about the network and the network software you need from a network administrator who oversees its operation. Identify your organization's network administrator before you begin.

Follow these guidelines when selecting a cable for your network:

Type of twisted-pair Ethernet	Use twisted-pair cable types
10 Mbps	Category (Cat) 3, 5, or 6
100/1000 Mbps	Cat 5 or 6

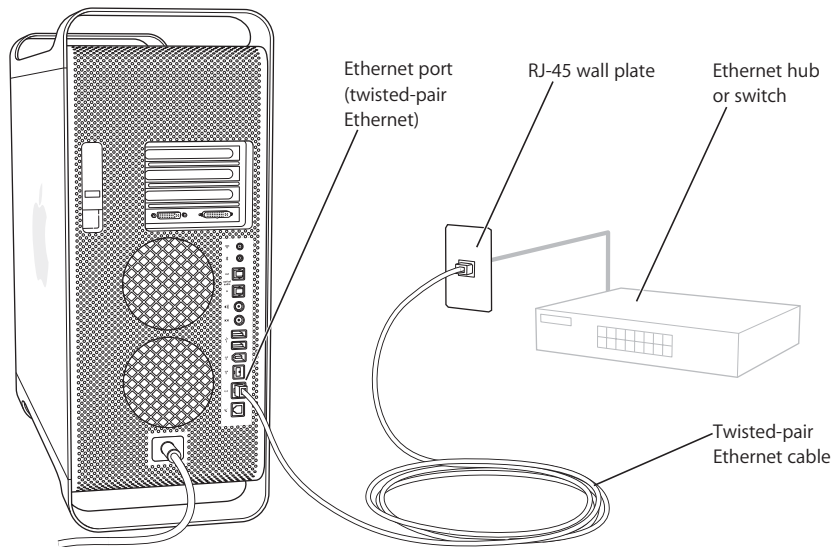
Connecting to a Twisted-Pair Ethernet Network

You can connect directly to a 10/100/1000 twisted-pair Ethernet network.

Note: You can also connect your computer to an Ethernet network that uses thin coaxial cables. To do this, you need an RJ-45-to-Thin Coax adapter (available from other manufacturers). See your Apple Authorized Reseller for more information on Ethernet media adapters.

To connect your Macintosh to a centralized 10/100/1000 twisted-pair Ethernet network:

- 1 Plug one end of an RJ-45 twisted-pair cable into the Ethernet port on your Macintosh.
- 2 Plug the other end of the cord into an RJ-45 wall outlet or external Ethernet hub or switch that is connected to a twisted-pair Ethernet network.



After you start up the computer, you need to configure the software for your network connection. Your network administrator can provide the necessary information. You can also get help configuring your network software using Mac OS Help (in the Help menu).

To configure your network settings:

- 1 Choose Apple () > System Preferences and click Network.
- 2 Choose Built-in Ethernet from the Show pop-up menu.
- 3 Click TCP/IP and enter information about your network. The default setting is Configure Using DHCP.
- 4 Click Apply Now.

For More Information on Using Ethernet

Additional information, including information about setting up an Ethernet network or transferring files using Ethernet, is available in Mac OS Help. Choose Help > Mac Help and search for “Ethernet” or “network.”

For more information on networking your Power Mac G5, go to AppleCare Support at www.apple.com/support.

For information on networking products you can use with your Power Mac G5, go to the Macintosh Products Guide at www.apple.com/guide.

AirPort Wireless Internet and Networking

AirPort offers an easy and affordable way to provide wireless Internet access anywhere at home, at work, or in the classroom. Instead of using traditional cables, AirPort uses wireless local area network (LAN) technology to provide wireless communication between multiple computers. Through a wireless network, you can set up access to the Internet, transfer files, play multiplayer games, and more.

Your Power Mac G5 is AirPort-ready. The only thing you need to add is an AirPort Extreme Card. See “Installing an AirPort Extreme Card” on page 66. You install the AirPort Extreme Card in a slot inside the computer, connect it directly to the end of a built-in antenna cable, and install an AirPort antenna. For instructions on using your AirPort Extreme Card, see the *About Your AirPort Extreme Card* booklet that came with your card.

Wireless Network Connections

If you install an AirPort Extreme Card, you can:

- Connect your computer to a computer network that has wireless access
- Use your computer to provide network access for other computers using wireless cards
- Establish a wireless connection and share information with another computer that has an AirPort Card, an 802.11b wireless card, or an 802.11g wireless card

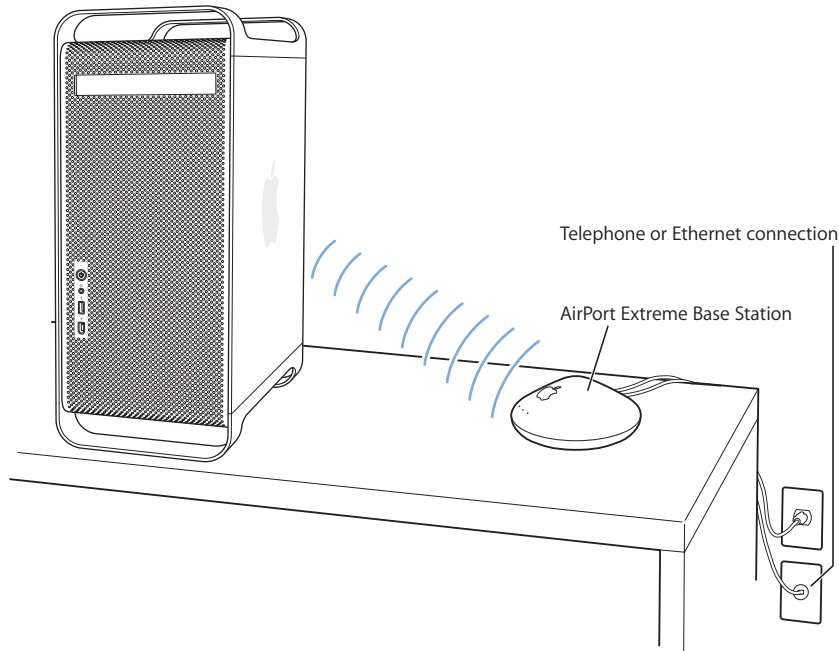
Check with your network administrator for more information about reaching the network’s wireless access point.

If your computer comes with an AirPort Extreme Card installed or you install an AirPort Extreme Card, you should also install the AirPort antenna that came with your computer into the AirPort antenna port (📶) on the back of the computer. See “Installing an AirPort Extreme Card” on page 66 for more information.

How AirPort Provides Wireless Internet Access

With AirPort, you set up a wireless connection to a device known as a *base station*, which has a physical connection to the Internet. AirPort technology works like a cordless telephone. The handset of the cordless phone makes a wireless connection to the base, which is connected to the telephone line. Similarly, your computer makes a wireless connection to the base station, which is connected to the telephone line or your Ethernet network.

Note: The AirPort Extreme Card is compatible with all versions of the AirPort Base Station.



Important: Several kinds of objects placed near the computer can cause interference. See the instructions that come with an AirPort Extreme Card or AirPort Extreme Base Station to learn about avoiding interference. For more information, go to AppleCare Support at www.apple.com/support.

For More Information on AirPort

To purchase an AirPort Extreme Card or AirPort Extreme Base Station, contact your Apple Authorized Reseller, visit an Apple retail store, or go online to the Apple Store at www.apple.com/store.

For more information about AirPort, search for “AirPort” in Mac OS Help. You can also find information on the Apple AirPort website at www.apple.com/airport.

Putting the Computer to Sleep to Save Energy

Power Mac G5 computers are set to go to sleep after a period of inactivity. Sleep is a state in which your computer uses very little power. You can also put the computer to sleep whenever you want to.

Note: Power Mac G5 computers are set to sleep automatically within 15 minutes of inactivity; however, you can change the automatic sleep settings in System Preferences.

When the computer wakes from sleep, your programs, documents, and computer settings are exactly as you left them. To save more energy, shut down the computer when it's not in use.

To put your computer to sleep, you can do any of the following:

- Press the power button on the front of the computer.
- Choose Apple () > Sleep.
- Choose Apple () > System Preferences, click Energy Saver, and set a sleep timer.

When the computer is in sleep, the front panel power button light pulses.

To wake the computer, press the power button on the front of the computer or press a key on the keyboard. With some Apple displays, you can also use the display's power button to put the computer to sleep and wake it.

Not all PCI cards or replacement AGP cards comply with the computer's power management standards. If you install a noncompliant card, the computer can still enter sleep mode, but it may not save as much energy as possible.

For more information about energy-saving options, see Mac OS Help.

Transferring Information Between Two Macintosh Computers

If two Macintosh computers are *not* connected by an Ethernet, AirPort, or Bluetooth network, you can transfer information between them by connecting them with a standard Cat 5 Ethernet cable (in effect creating a small network of just two computers). You can buy this type of cable from an Apple Authorized Reseller. You connect the cable to each computer's Ethernet port and then turn on file sharing on both computers. You can also configure the Ethernet settings on two computers to create a small network.

First, turn on file sharing on both computers:

- 1 Choose Apple () > System Preferences.
- 2 Click Sharing, then click Start.
- 3 Open Network preferences, select AppleTalk, and then select "Make AppleTalk Active."

Next, follow these steps on one computer:

- 1 Choose Go > Connect to Server.
- 2 Click Local Network.
- 3 Select the computer you want to access.

For more information about configuring Ethernet, search for “Ethernet” in Mac OS Help.

If you have an AirPort or Bluetooth wireless network, you can also transfer information between two Macintosh computers. For more information about AirPort or Bluetooth wireless networks, search for “AirPort” or “Bluetooth” in Mac OS Help.

You can also connect two Macintosh computers using a FireWire cable. You can then use FireWire Target Disk Mode to transfer files from one computer to another. For more information, see “FireWire Target Disk Mode” on page 28.

If you have an Internet connection, you can transfer files via the Internet to your .Mac iDisk, where you or another .Mac user can download the files.

You can customize and expand your Power Mac G5 to fit your needs.

This chapter provides information and instructions about working inside your computer and includes the following procedures:

- “Opening the Computer” on page 42
- “Installing Memory” on page 47
- “Installing Internal Storage Devices” on page 54
- “Installing a PCI Expansion Card or Replacing the AGP Card” on page 62
- “Installing an AirPort Extreme Card” on page 66
- “Replacing the Battery” on page 67

Warning: Apple recommends that you have an Apple-certified technician install memory, PCI expansion cards, and internal storage devices. Consult the service and support information that came with your computer for instructions on how to contact an Apple Authorized Service Provider or Apple for service. If you install these items yourself, you risk damaging your equipment, and such damage is not covered by the limited warranty on your computer. See an Apple Authorized Reseller or Service Provider for additional information about this or any other warranty question.

Opening the Computer

- 1 Before you open your computer, shut it down by choosing Apple (🍏) > Shut Down.



Warning: Always shut down your Power Mac G5 before opening it to avoid damaging its internal components or the components you want to install. Do not open the computer or attempt to install items inside it while it is on.

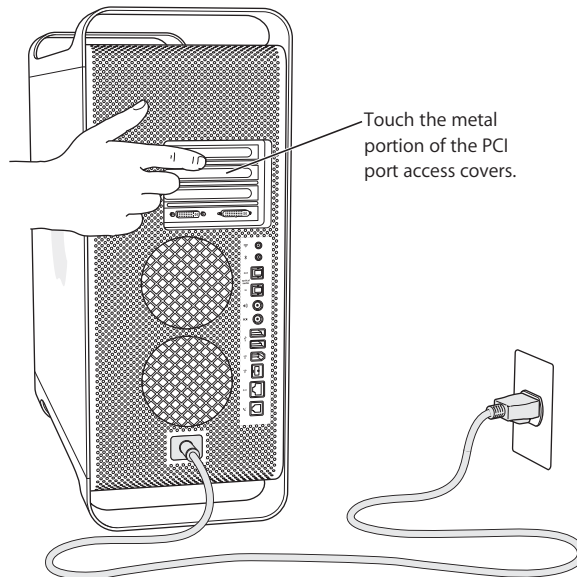
- 2 Wait 5 to 10 minutes to allow the computer's internal components to cool.



Warning: After shutting down your computer, the internal components can be very hot. Let the computer cool down before continuing.

- 3 Touch the metal PCI access covers on the back of the computer to discharge any static electricity from your body.

Important: Always discharge static before you touch any parts or install any components inside the computer. To avoid generating static electricity, do not walk around the room until you have finished installing the expansion card, memory, or internal storage device and closed the computer.

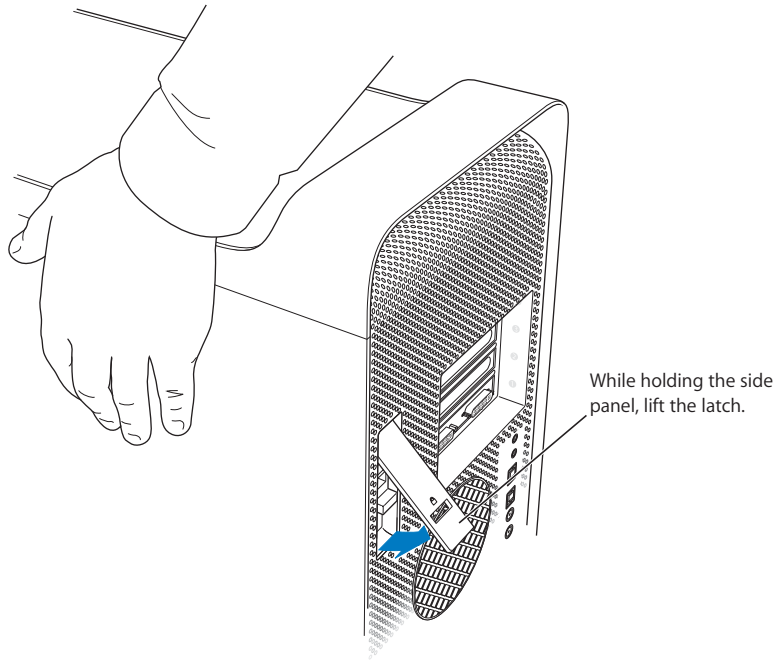


- 4 Unplug all the cables and the power cord from the computer.

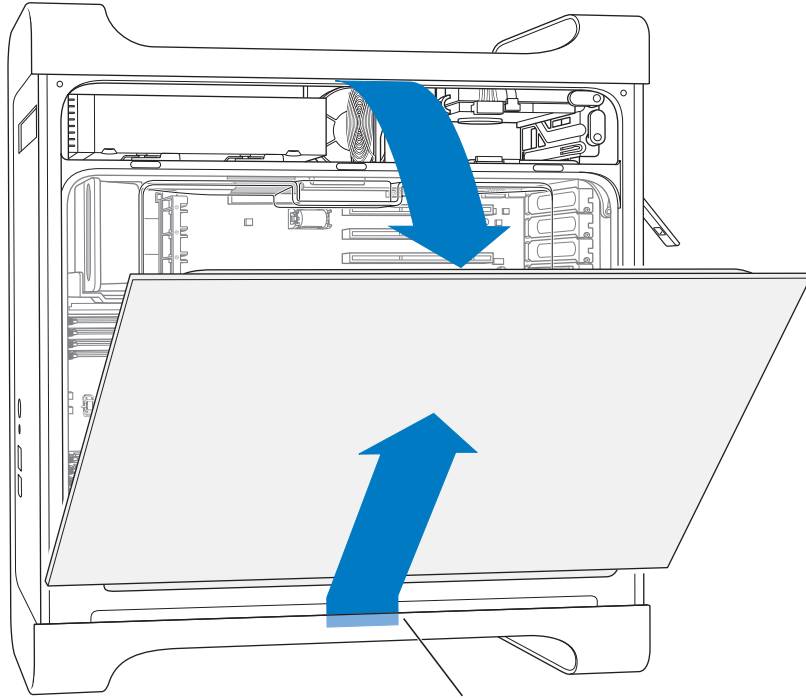


Warning: To avoid damaging its internal components or the components you want to install, always unplug your Power Mac G5. Do not attempt to install items inside the computer while it is plugged in.

- 5 Hold the side panel and lift the latch on the back of the computer.



6 Remove the side panel.

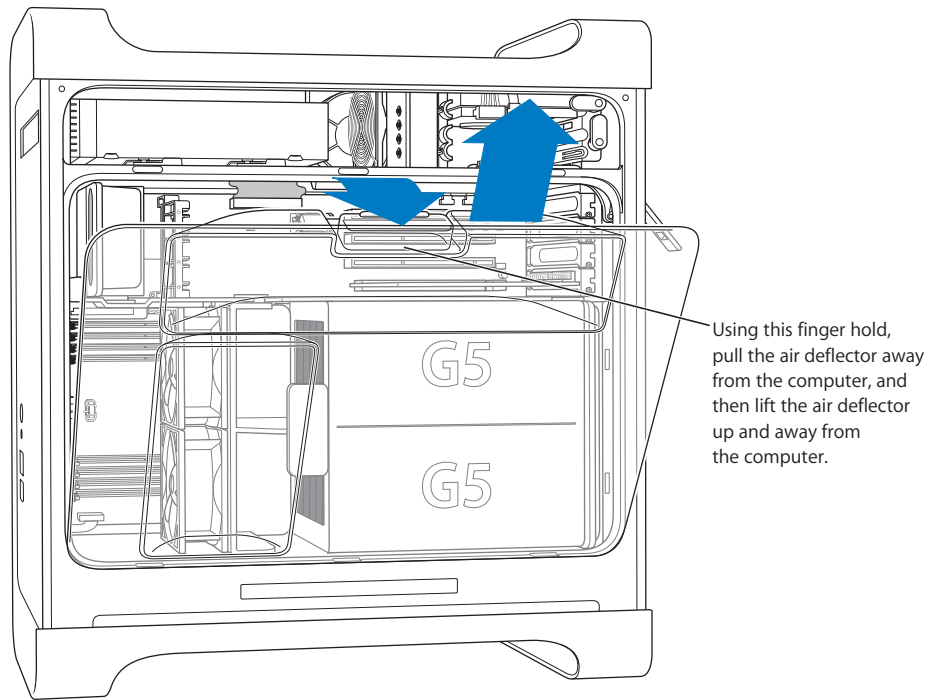


Pull the top of the side panel away from the computer, and then lift it up and remove it from the computer.

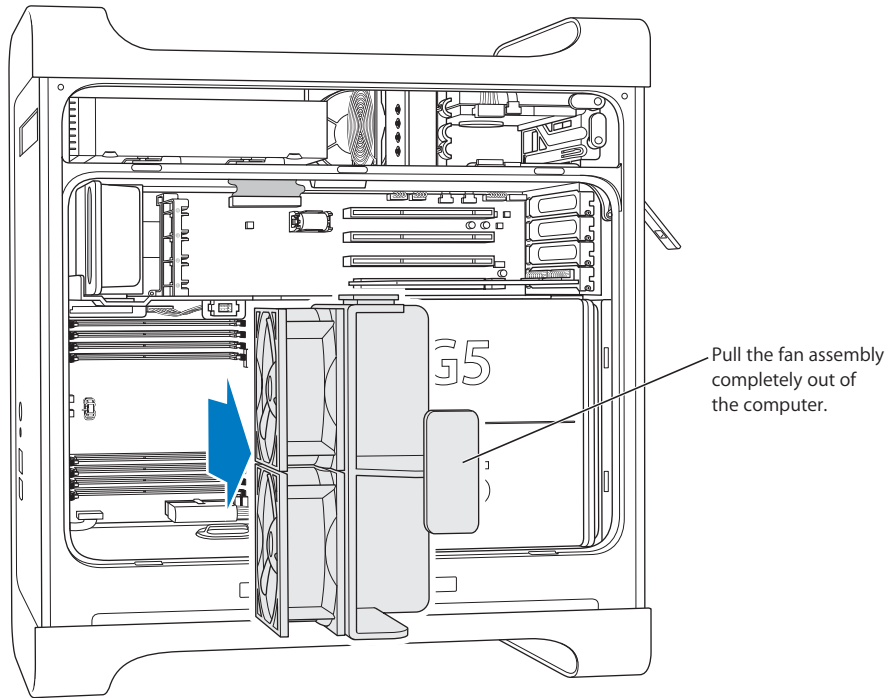
Important: When you remove the side panel, hold it securely.

- 7 Remove the air deflector and place it on a soft, clean cloth.

Important: Always remember to replace the air deflector after you have finished working inside your computer. Your computer will not function properly without the air deflector.



- 8 Pull the front fan assembly by the handle to remove it from the computer. Set it aside.
- Note:** You do not need to remove the front fan assembly to install drives, install PCI and AGP cards, or replace the battery.



Installing Memory

Depending upon the model, your Power Mac G5 has four or eight dual inline memory module (DIMM) slots for Double-Data-Rate (DDR) synchronous dynamic random-access memory (SDRAM) devices. Your computer comes with a minimum of 256 MB of random access memory (RAM), installed as a pair of 128 MB DIMMs in two of the DIMM slots. You can install additional pairs of DIMMs in the open DIMM slots on your computer's main logic board.

DIMMs must be installed in equal-sized pairs and fit these specifications:

- 400 MHz, PC 3200 DIMMs
- 2.5 volt (V)
- 184-pin module
- Maximum number of memory devices on DDR SDRAM: 16
- Nonparity
- No error-correcting codes (NECC)
- Unbuffered (registered or buffered DDR SDRAM cannot be used)

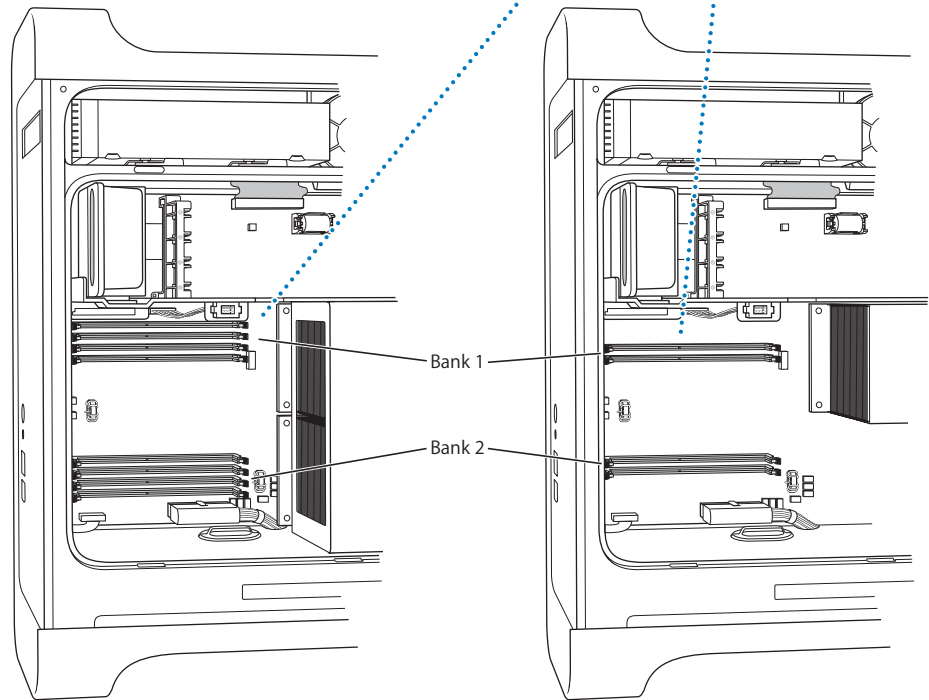
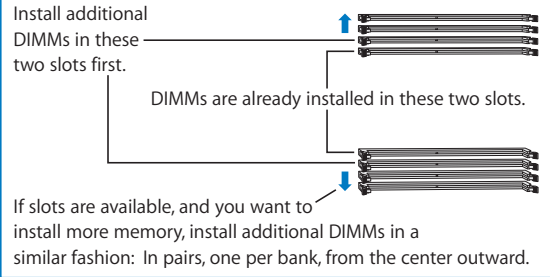
Important: Memory from older Macintosh computers may not be compatible with your Power Mac G5.

Note: When purchasing DDR SDRAM for use in Macintosh computers, make sure that the memory vendor conforms to the JEDEC (Joint Electron Device Engineering Council) specification. Check with your memory vendor to ensure that the DDR SDRAM supports the correct timing modes and that the Serial Presence Detect (SPD) feature has been programmed properly, as described in the JEDEC specification. To check the compatibility of your DDR SDRAM DIMMs, see the Macintosh Products Guide on Apple's website at www.apple.com/guide. You can purchase Apple-branded memory online from the Apple Store at store.apple.com.

To install memory:

- 1 Open your computer and remove the side panel, air deflector, and fan assembly following the directions that begin on page 42.

No matter how many SDRAM slots your computer has, the SDRAM DIMMs must be installed in pairs with one DIMM per bank.



- 2 Locate the DIMM slots in the computer.

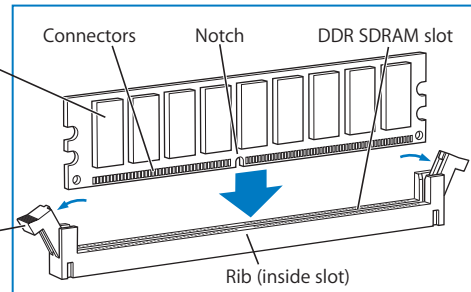
Important: Always install DIMMs in pairs of equal size and in the order designated in the illustration above.

- 3 Open the ejectors on the DIMM slots by pushing them out to the sides.
- 4 Placing one hand on the back of the computer for support, align the first DIMM in the slot and push both ends of the DIMM down until the tabs are vertical and the ejectors snap into place.

Important: Do not touch the DIMM connectors. Handle the DIMM only by the edges.
- 5 Align the second DIMM in the opposite slot and push until the ejectors snap into place.

DDR SDRAM DIMM
(Your DIMM's shape and components may vary.)

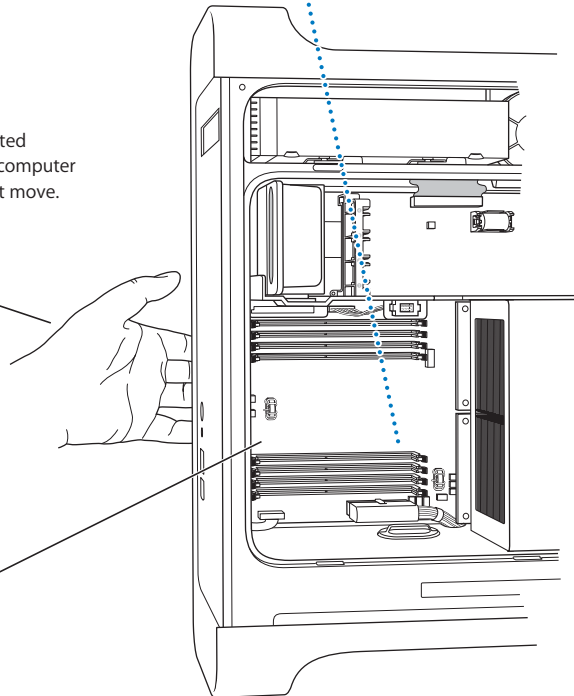
The DDR SDRAM DIMM fits into the slot only one way. Align the notch in the DIMM with the small rib inside the slot. With the ejectors open (as shown), push the DIMM until it snaps into place. The ejectors close automatically.



Ejectors
(They should be pushed outward to be in the open position, as shown.)

To make sure the DIMMs are properly seated in their slots, place one hand behind the computer and hold the computer so that it does not move. With your other hand, press each DIMM firmly into its slot.

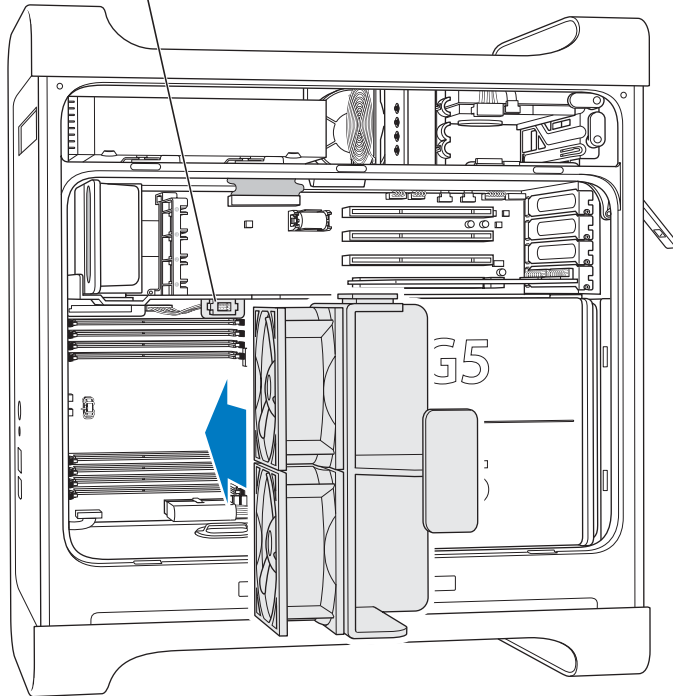
Your computer will have either 4 or 8 DDR SDRAM slots, depending on model.



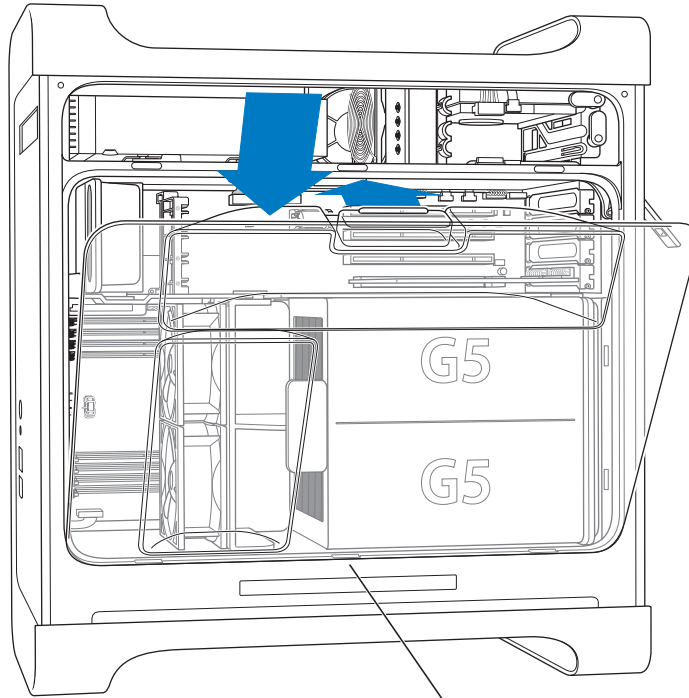
- 6 Replace the front fan assembly by firmly pushing it back into the computer by the handle until it connects.

Important: Make sure the fan assembly engages the connector or your computer will not operate properly. Gently pull the fan assembly to see if it is properly connected. If it resists and stays in place, it is connected.

Slide the plastic rail on the fan assembly into the cutout in the sheet metal divider inside the computer. The fan assembly needs to engage this connector.



7 Replace the air deflector.

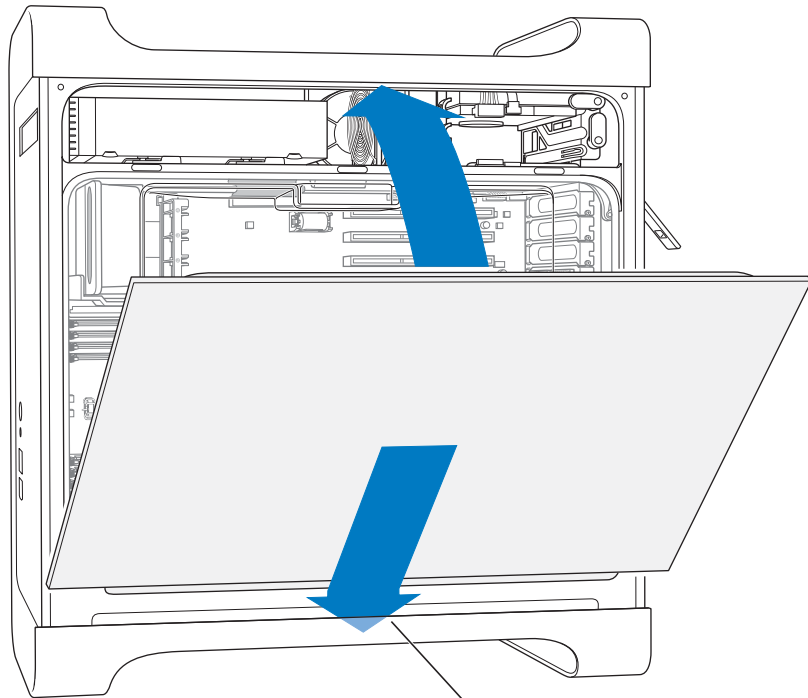


Slide the three tabs on the air deflector into the slots in the computer and then push the air deflector closed.

Important: Always remember to replace the air deflector. Your computer will not function properly if the air deflector is not in place.

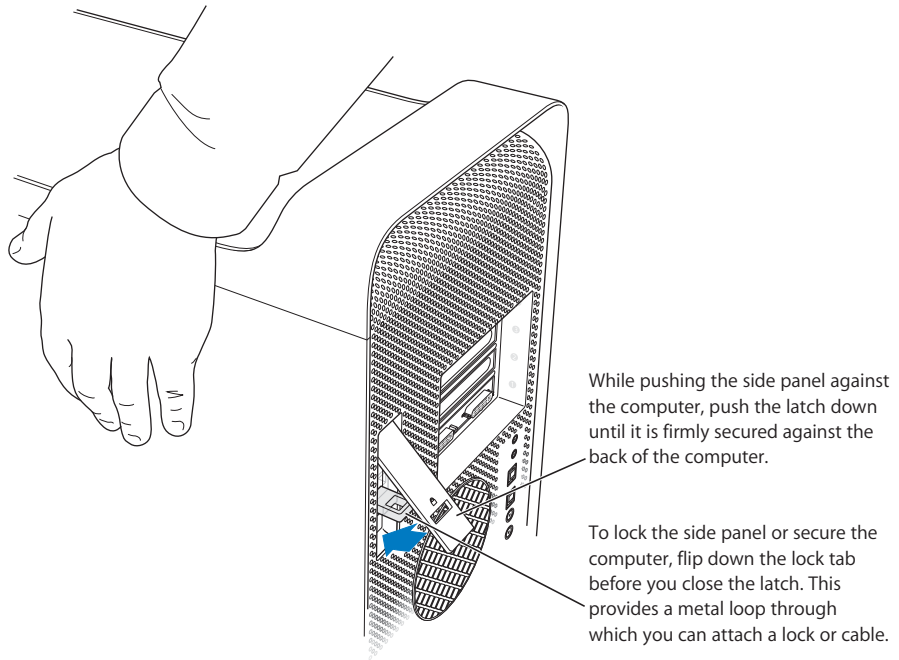
8 Replace the side panel.

Important: Always replace the side panel before you start up your computer. Your computer does not function properly if the side panel is not in place.



Place the side panel into the slot in the computer and then push the side panel closed.

- 9 Push the latch down to close and secure the side panel.



Important: When you replace the side panel, hold it securely so that it stays in place as you push the latch down.

Installing Internal Storage Devices

Your Macintosh has three internal drive bays: one optical drive bay and two hard drive bays. In most configurations, a single hard disk drive occupies the top hard drive bay and an optical drive is located in the front optical drive bay.

You can add a Serial ATA disk drive to the empty slot in the hard disk drive bay. The drives must meet these specifications:

- *Type:* Serial ATA
- *Width:* 3.9 inches (102 mm)
- *Depth:* 5.7 inches (147 mm)
- *Height:* 1.0 inch

Important: Use the original Apple cables that came with your Macintosh when you install ATA or optical drives.

For more information about requirements and devices supported, see your Apple Authorized Reseller and the support section of the Apple website at www.apple.com/support.

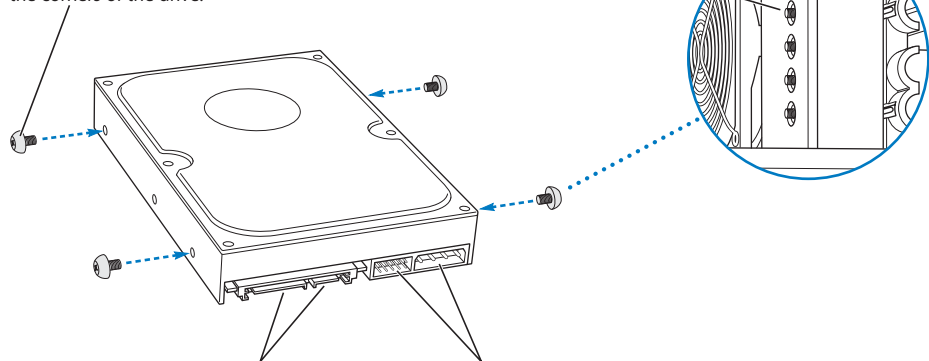
Installing Serial ATA Drives

Your Macintosh can accommodate one additional internal 1-inch-high Serial ATA drive in the hard drive bay, for a total of two drives. Your computer comes with one Serial ATA drive installed, and it usually sits in the top hard drive bay. You can install a second Serial ATA drive in the lower hard drive bay.

- 1 Open your computer and remove the side panel following the directions that begin on page 42.

Install the four drive guides into four of the threaded holes on the side of the drive. If you have a choice, use holes that are closest to the corners of the drive.

The four drive guides are stored in the plastic divider next to the hard drive bays.



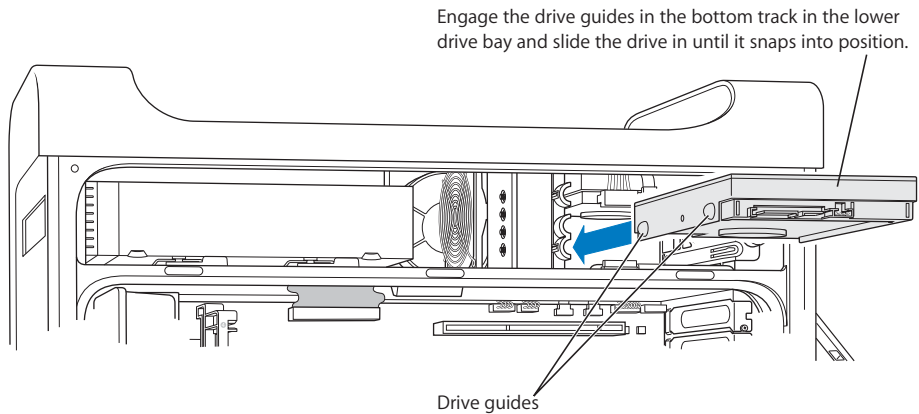
Your drive will need to have these blade-type connectors to attach the power and data cables.

Some drives may have these pin-type connectors, too, but you won't be connecting any cables to them.

- 2 Unscrew the four drive guides from the left side of the hard drive bay and screw them to the threads at the sides of the hard drive as illustrated above.

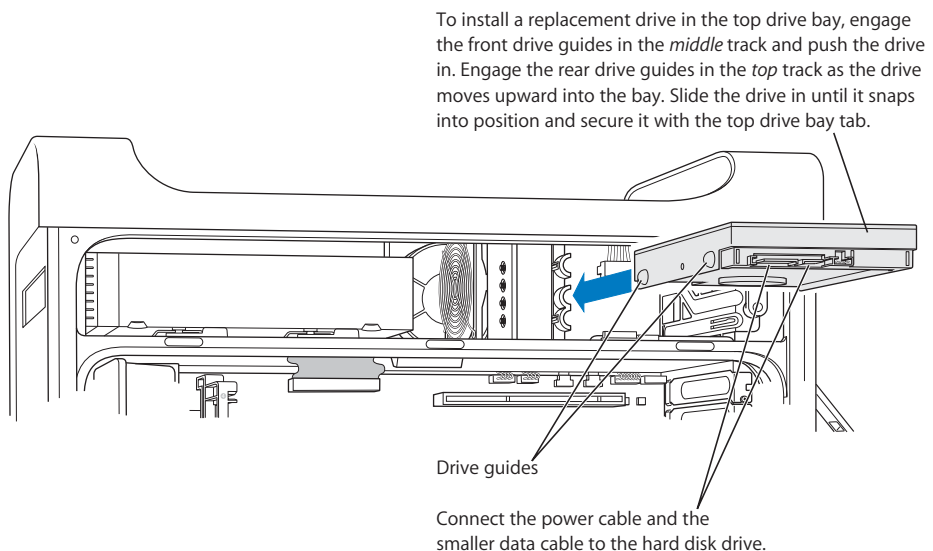
Important: If the printed circuit board (PCB) is exposed on the bottom of the hard disk drive, hold the drive by its sides. To avoid damaging the drive, take care not to touch the PCB during installation.

- 3 To install an additional drive, slide the drive into the lower drive bay, aligning the drive guides into the bottom track, and gently push the drive until it snaps into place.

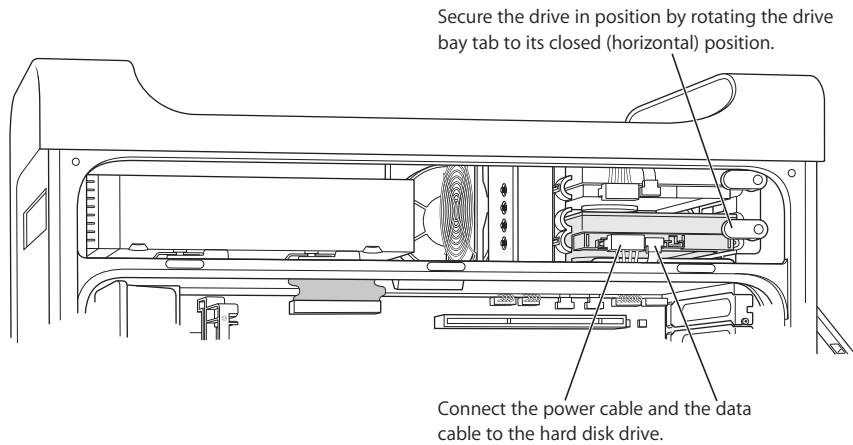


- 4 To replace the drive in the top drive bay, pull the original drive out of the drive bay and drop it down slightly until it clears the drive bay. Slide the replacement drive into the top drive bay, aligning the front drive guides into the middle track. Engage the rear drive guides in the top track as the drive moves into the drive bay. Gently push the drive into the bay until it snaps into place.

Note: If a hard drive is installed in the lower drive bay, remove it before replacing the hard drive in the top drive bay.



- 5 Pull the appropriate drive bay tab down to secure the drive.
- 6 Connect the power cable and the Serial ATA data cable to the drive.



- 7 Replace the side panel, following the directions that begin on page 52.

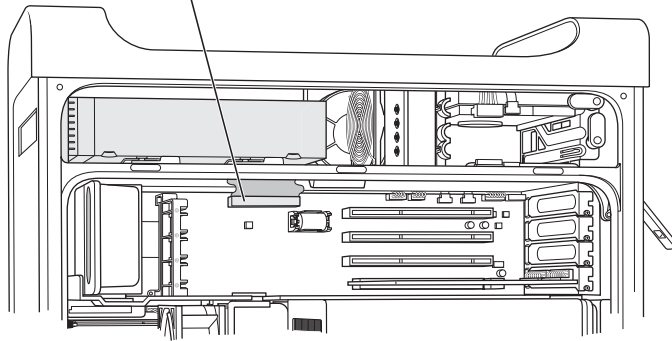
Replacing the Optical Drive

Your computer comes with an optical drive installed, either a SuperDrive or Combo drive. Follow these instructions to replace the optical drive in the optical drive bay.

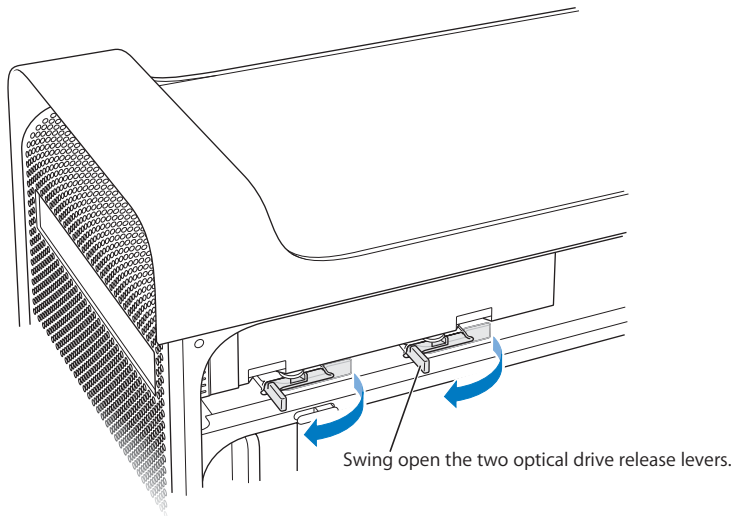
Important: Contact your drive manufacturer or consult the manufacturer's website to determine if your drive is set for cable select mode. Before installation, set the drive to cable select if the manufacturer hasn't already done so.

- 1 Open your computer and remove the side panel following the directions that begin on page 42.
- 2 Disconnect the optical drive ribbon cable from the logic board.

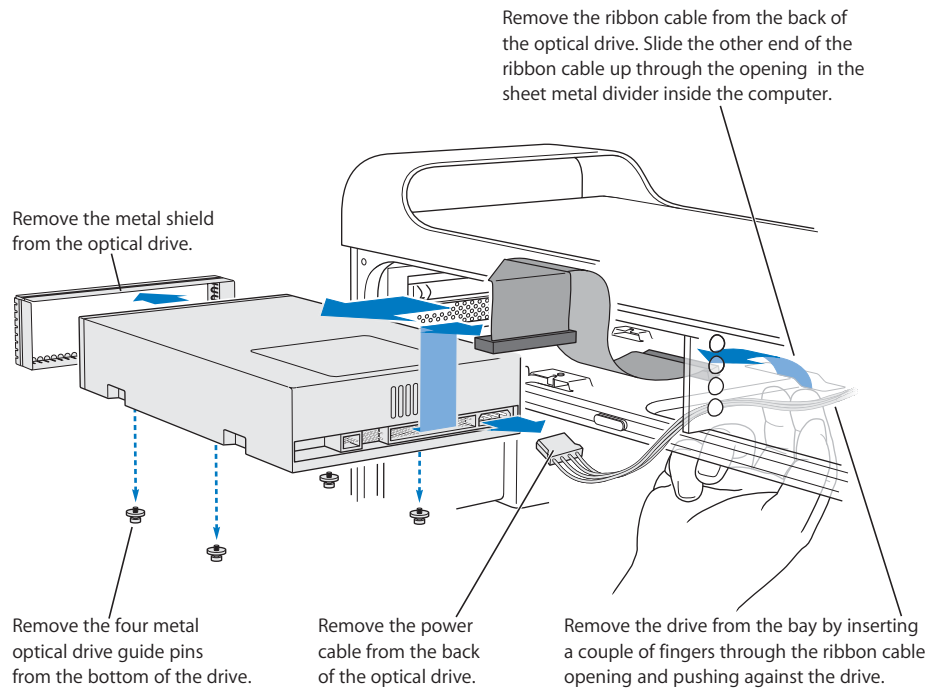
Disconnect this cable from the main logic board in preparation for removing the optical drive.



- 3 Push the optical drive release levers out to release the drive.

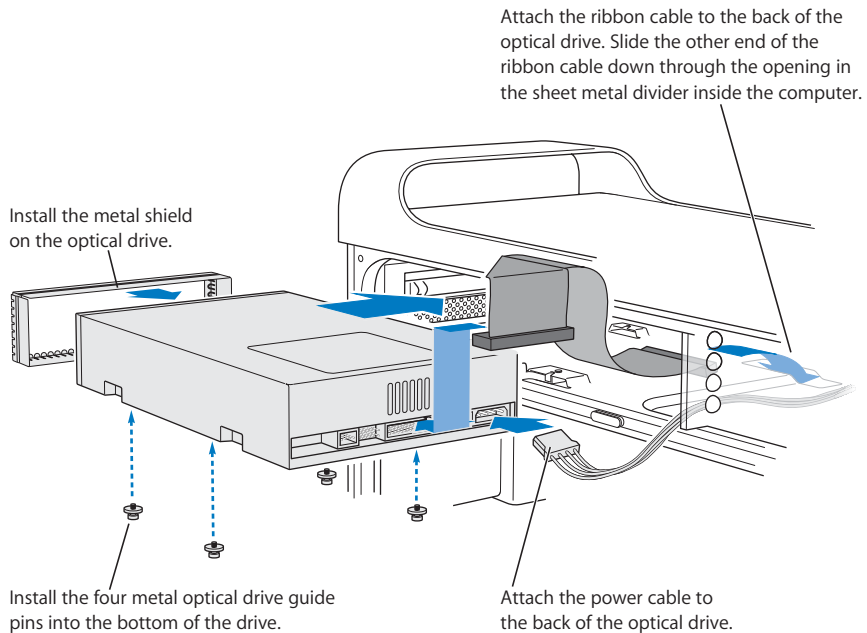


- Carefully pull the drive a short distance out of the bay.
- Disconnect the ribbon cable from the back of the original drive and gently pull the cable through the opening in the sheet metal divider at the back of the optical drive bay.

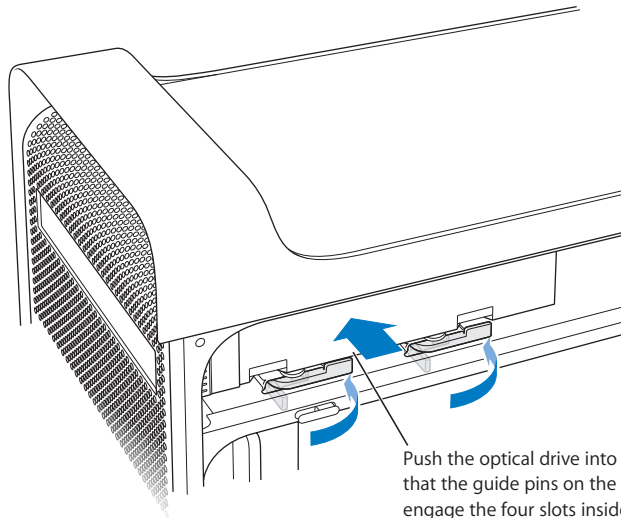


- Place two or three fingers through the opening at the back of the optical drive bay and push the drive out slightly so you can remove it from the computer.
- Remove the power cable from the drive.
- Unscrew the four optical drive guide pins from the bottom of the original drive and attach them to the bottom of the replacement drive.
- Remove the metal shield from the front of the drive and attach it to the front of the replacement drive.

- 10 Carefully remove the ribbon cable from the top of the original drive and transfer it to the replacement drive.
Important: Reusable adhesive tape on the underside of the ribbon cable attaches the cable to the drive. When removing the cable from the original drive, be careful to keep the tape with the cable.
- 11 Attach the ribbon cable connector and the power cable to the back of the replacement drive.
- 12 Insert the drive part way into the drive bay and bend the free end of the ribbon cable, then pull it down through the opening in the sheet metal divider at the back of the optical drive bay.

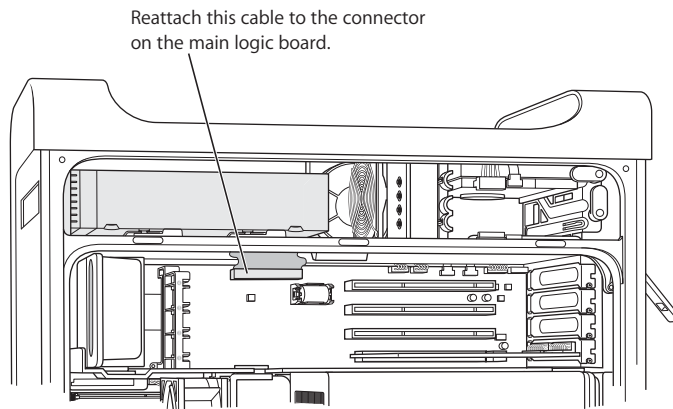


- 13 Slide the drive the rest of the way into the drive bay, aligning the optical drive guide pins in the slots, and gently push the drive into place.
- 14 The optical drive release levers should close when the drive is installed correctly. If they don't close, gently push them.



Push the optical drive into the computer so that the guide pins on the bottom of the drive engage the four slots inside the computer. Close the optical drive release levers completely when the drive is properly seated.

- 15 Attach the optical drive ribbon cable to its connector on the logic board.



- 16 Replace the side panel, following the directions that begin on page 52.

Installing a PCI Expansion Card or Replacing the AGP Card

You can expand the capabilities of your Power Mac G5 by installing cards in its expansion slots. Your Power Mac G5 has four expansion card slots, three of which accommodate Peripheral Component Interconnect (PCI) cards and one that accepts an advanced graphics port (AGP) card.

AGP cards and PCI cards have different connectors, so you cannot insert a PCI card into the AGP slot.

About AGP Cards

Your AGP card, installed in slot 1, contains the graphics processor unit (GPU) and provides the computer's display ports. Slot 1 is designed specifically to accept AGP cards. This 533-megahertz (MHz) slot accommodates 1.5-volt (V) AGP cards (see the illustration on page 65).

You can replace the card that came with the computer with an AGP 8X or AGP 8X Pro card. A replacement AGP card must have driver software compatible with Mac OS X.

About PCI Expansion Cards

Your Macintosh has three expansion slots, labeled 2, 3, and 4, which can accommodate expansion cards up to 12 inches long. Depending upon the model of your Power Mac G5, you can install either PCI or PCI-X cards.

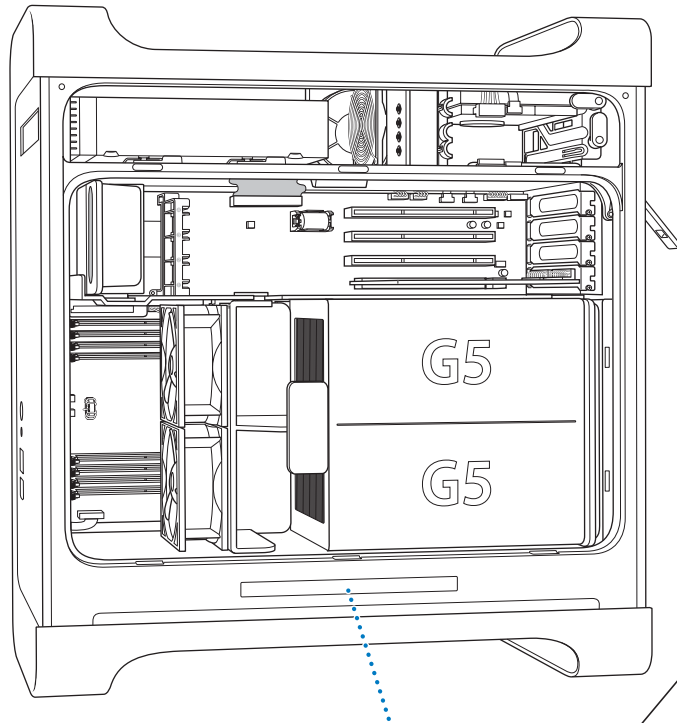
Card type supported	Slot	Card speed
PCI ¹	slots 2, 3, and 4	64-bit, 33 MHz
PCI-X	slots 2 and 3	64-bit, 100 MHz
	slot 4	64-bit, 133 MHz

¹The PCI slots can accommodate mixed-voltage (5.0 V, 12 V, or 3.3 V) cards, but only at 3.3 V signaling, with 32-bit or 64-bit data widths and a 33 MHz frequency. You can add a 66 MHz card to a 33 MHz PCI slot if the card can operate at the lower 33 MHz rate.

Warning: Do not use PCI cards that function only at 66 MHz in the 33 MHz PCI slots. Damage to your equipment could result. If you have a 66 MHz PCI card, check with the card's manufacturer to see if it also works at 33 MHz.

Maximum power consumption for all four expansion slots (the three PCI expansion cards and the AGP card) should not exceed 90 watts (W).

To determine whether your computer has PCI or PCI-X slots, read the ID label, which is located on the side of the computer at the bottom under the air deflector. You can also identify your model by the number of DIMM slots. Computers with 4 DIMM slots have 33 MHz PCI slots; computers with 8 DIMM slots have 100 and 133 MHz PCI-X slots.



Your computer's ID label tells you what hardware configuration you have. It is coded and resembles the label shown here. If your computer has PCI-X slots it will be listed here. If you don't see "PCI-X" your computer has PCI slots.



Installing Your Card

You can install an AGP card in slot 1 only. The AGP slot accepts standard AGP cards or AGP Pro cards. Install either PCI or PCI-X cards in the slots labeled PCI 2, 3, and 4. See the table on page 62.

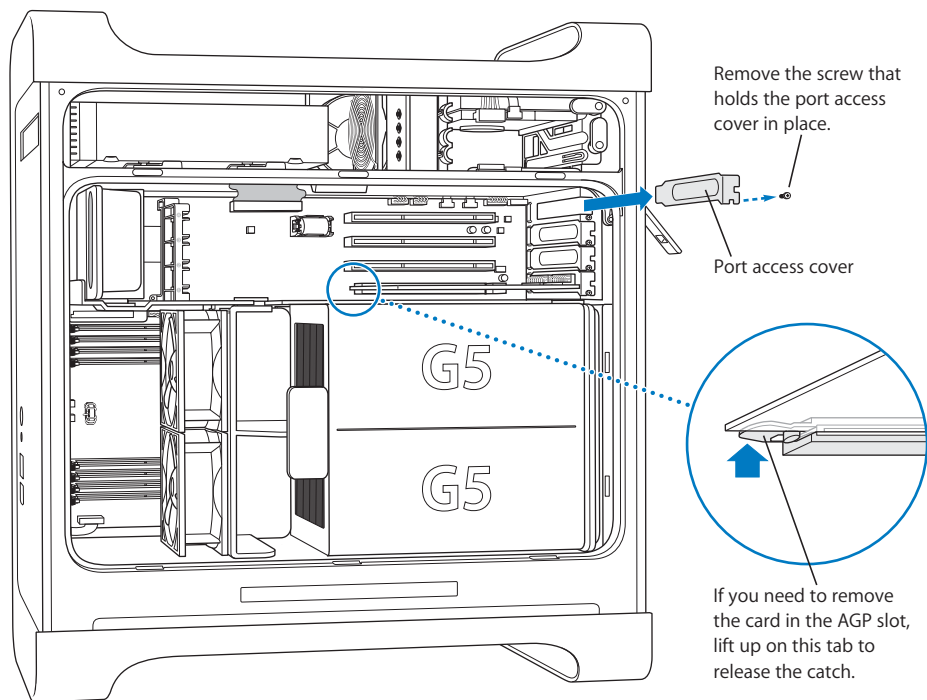
- 1 Open your computer and remove the side panel and air deflector following the directions on page 42.



Warning: To avoid damaging its internal components or the components you want to install, always turn off and then unplug your Power Mac G5. Wait 5 or 10 minutes for it to cool down. Do not attempt to install items inside it while it is plugged in.

- 2 Remove the screw in the port access cover, pull out the access cover, and set it aside.

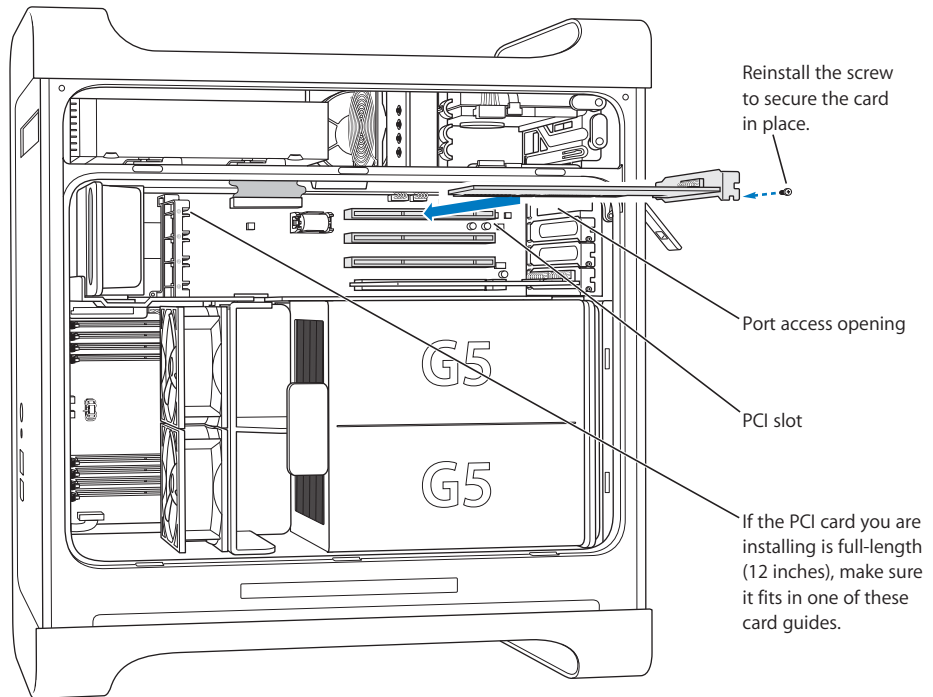
Note: To prevent screws from the PCI port access cover from dropping into the enclosure, you may want to use a magnetic screw driver, available at most electronic supply stores. Take care not to place the magnetic screw driver near your hard drives or media such as CDs or DVDs.



- 3 Remove the card that you want to install from its static-proof bag and hold it by its corners, taking care not to touch the gold connector or any of the components on the card.

- 4 Align the card's connector with the expansion slot and press until the connector is inserted all the way into the slot.

If you're installing a 12-inch card, make sure the card engages the appropriate guide.



Press the card gently but firmly until the connector is fully inserted.

- Don't rock the card from side to side; instead, press the card straight into the slot.
- Don't force the card. If you meet a lot of resistance, pull the card out. Check the connector and the slot for damage or obstructions, then try inserting the card again.
- Pull the card gently to see if it is properly connected. If it resists and stays in place, and if its gold connectors are barely visible, the card is connected.

- 5 Reinsert the port access cover screw and tighten it to hold the card in place.

Warning: If you remove a card from your computer and do not install a replacement, be sure to place a port access cover over the empty slot. Covers keep foreign objects out of the enclosure. An uncovered slot can affect the airflow that cools the computer's internal components and cause damage.

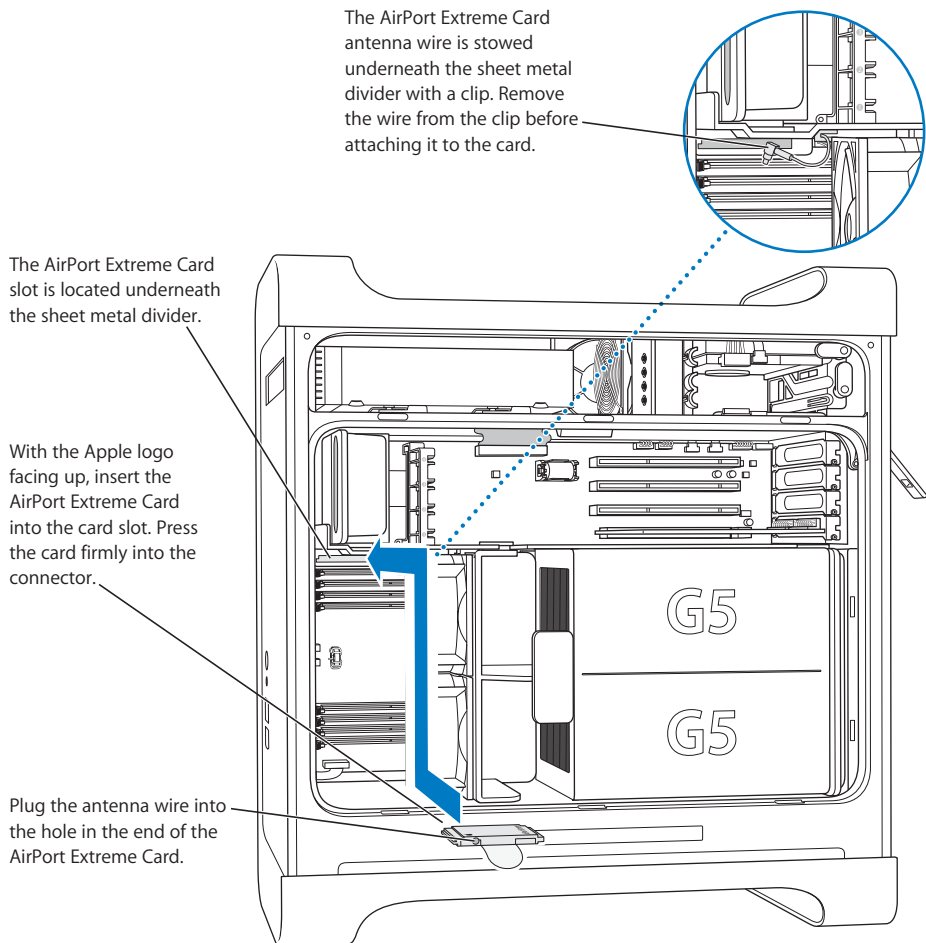
- 6 Replace the air deflector and side panel, following the directions that begin on page 51.

Installing an AirPort Extreme Card

AirPort offers an affordable and easy way to provide wireless Internet access anywhere in the home, at work, or in the classroom. You can install an AirPort Extreme Card in your Power Mac G5.

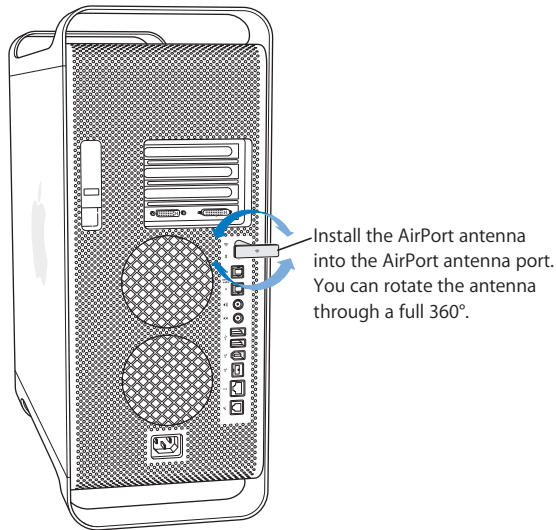
Important: You must install an AirPort Extreme Card. Older AirPort Cards will not work in the Power Mac G5.

- 1 Open your computer following the directions on page 42.
- 2 Position the AirPort Extreme Card with the Apple logo facing up, insert the card into the card slot, and press it firmly into the connector.



- 3 Carefully connect the coaxial antenna wire to the port on the end of the AirPort Extreme Card.

- 4 Replace the front fan assembly, air deflector, and side panel, following the directions that begin on page 50.
- 5 Attach the AirPort Extreme antenna to the AirPort antenna port (📶) on the back panel. To adjust reception, you can rotate the antenna.



Warning: The FCC Rules require that the operator or a nearby person be more than 1 centimeter (0.4 inches) away from the AirPort Extreme antenna during transmission. In addition, the AirPort Extreme antenna must not be co-located with any other transmitter or antenna except for the Apple Bluetooth antenna model A1067.

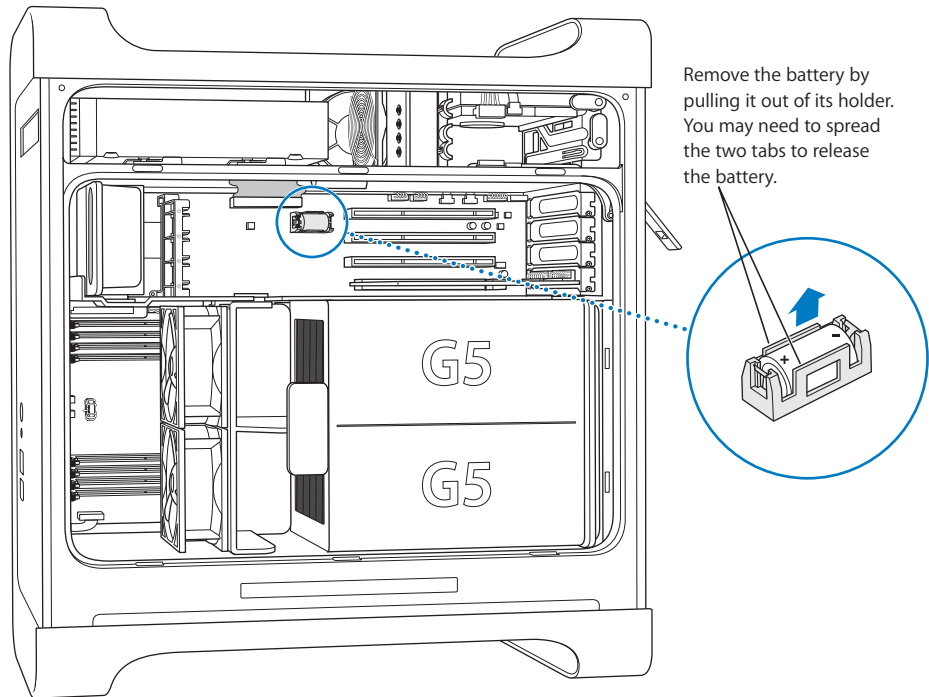
Replacing the Battery

Your computer has a 3.6 V lithium battery on the main logic board. If your computer has intermittent problems starting up or random changes in its date and time settings, you may need to replace the battery. Purchase a replacement battery from an Apple Authorized Reseller.

Important: Batteries contain chemicals, some of which may be harmful to the environment. Please dispose of used batteries according to your local environmental laws and guidelines.

To replace the battery:

- 1 Open your computer following the directions on page 42.



Remove the battery by pulling it out of its holder. You may need to spread the two tabs to release the battery.

- 2 If a PCI card is installed next to the battery, remove the card.
- 3 Remove the battery from its holder, noting the orientation of the battery's positive end. (A plus sign is marked on or near the battery holder.)
If necessary, spread the tabs holding the battery so you can remove it. Spread the tabs gently so they don't break.

Warning: Installing the battery incorrectly may cause an explosion. Be sure the battery's positive and negative poles are correctly oriented in the holder. Use only the same type of battery or an equivalent recommended by the manufacturer of the original.

- 4 Insert the new battery in the holder, making sure the battery's positive symbol aligns with the positive symbol on or near the holder.
- 5 Replace the air deflector and side panel, following the directions that begin on page 51.

If you have a problem while working with your computer, here are some things you can try right away.

The computer won't respond or the pointer won't move.

First, make sure the mouse and keyboard are connected.

- Unplug and then plug in the connectors and make sure they are firmly seated.

Then try to cancel what the computer is doing.

- Press the Command (⌘) and Q keys at the same time to try to quit the current application.
- Press the Command (⌘) and period keys at the same time. If a dialog appears, click Cancel.
- *In Mac OS X*, choose Apple () > Force Quit and select the application you would like to quit. Restart the computer by choosing Apple () > Restart to be sure the problem is entirely cleared up. You can also force quit by pressing the Esc, Option, and Command (⌘) keys at the same time.
- *In Classic*, hold down the Esc, Option, and Command (⌘) keys at the same time to force an application to quit.
 - If that doesn't work, hold down the power button on the front of the computer for 5 seconds. After the computer turns off, press the button again to turn it on.
 - If all else fails, unplug the power cord to turn the computer off, then plug in the power cord and use the front panel power button to restart the computer.
- *If the problem occurs only when you use a particular program*, check with the program's manufacturer to see if it is compatible with your computer.
- *If the problem occurs frequently*, choose Help > Mac Help.
 - *In Mac OS X*, search for "solve problems."
 - *In Classic*, look at the section on how to prevent and solve problems. You may also need to check for extension conflicts.

The computer won't turn on or start up.

First, make sure the power cord is connected to a working power source. The plug on the power cord must be completely inserted into the computer's power socket and firmly seated for your computer to operate correctly.

Next reset the computer's parameter random-access memory (PRAM). Turn on the computer and immediately hold down the Command (⌘), Option, P, and R keys until you hear the startup sound a second time. Then set your hard disk as the computer's startup disk.

- Choose Apple () > System Preferences and click Startup Disk, then select your hard disk.

The status light flashes and the computer won't start up.

- If you recently installed additional memory, a PCI expansion card, or another internal component, make sure that it is correctly installed and that it is compatible with your computer. See if removing it allows the computer to start up.
- If the status light still flashes, determine the number of flashes to identify the problem:
 - 2 flashes: no RAM installed
 - 3 flashes: incompatible RAM installed
 - 4 flashes: no good DIMM banks
 - 5 or 6 flashes: contact an Apple Authorized Service Provider

You are unable to eject a disc.

A file on the disc may be in use. Quit applications that are open, then try again.

If that doesn't work, choose Apple () > Restart and hold down either the mouse button or the Media Eject (⏏) key on your Apple Keyboard.

If that doesn't work:

- 1 Shut down the computer.
- 2 Carefully press down the front panel covering the front of the drive tray and locate the small hole below the drive tray.
- 3 Carefully insert the end of a large straightened paper clip into the hole.
- 4 Push firmly until the tray opens.
- 5 Pull out the tray, remove the disc, and push the tray to close it.

Software Problems

Important: To use Mac OS 9 applications with your computer, you must install Classic support (see “Installing Classic Support and Other Applications” on page 75). To start the Classic environment, open a Mac OS 9 application or double-click a document that requires a Mac OS 9 application. Classic works in the background to access Mac OS 9 features and software applications.

You have a problem with a software program.

- Use Software Update to ensure that you have the latest drivers, bug fixes, and other updates.
- For problems with software from a manufacturer other than Apple, contact the manufacturer.

You have a problem using your computer or working with Mac OS X.

- Look in Mac OS Help (in the Help menu) for instructions and troubleshooting information.
- Go to the Apple Support website on the Internet for the latest troubleshooting information and software updates: www.apple.com/support.

You have trouble using AirPort wireless communication.

- Make sure you have properly configured the software according to the instructions that came with your AirPort Extreme Card or AirPort Base Station.
- Make sure the computer or network you are trying to connect to is running and has a wireless access point.
- Make sure you are within antenna range of the other computer or the network’s access point. Nearby electronic devices or metal structures can interfere with wireless communication and reduce this range. Repositioning or rotating the computer may improve reception.
- Check the AirPort signal level. You may have up to four bars in the AirPort status icon in the menu bar.
- For more information, see the instructions that came with the wireless device or search for “AirPort” in Mac OS Help.

Problems With Your Display

Warning: If you have a problem with your Apple display and nothing presented in this manual solves it, contact an Apple Authorized Service Provider or Apple for assistance. If you attempt to repair the display yourself, any damage you may cause to the display will not be covered by the limited warranty on your display. Contact an Apple Authorized Reseller or Service Provider for additional information about this or any other warranty question.

No image appears on the screen.

- Make sure the display and computer are turned on.
- Make sure the cables are connected properly to your computer and the display.
- Make sure your computer is not in sleep. Press the power button or any key to see if the computer wakes.
- Make sure the display brightness and contrast are set properly. Some displays have brightness and contrast controls on or under their front edges.
- Reset the PRAM by restarting the computer while holding down the Command (⌘), Option, P, and R keys until you hear the startup sound a second time. Then start up using the software installer disc that came with your computer.

The screen image appears dim or flickers.

- Adjust the display brightness and contrast settings. Some displays have brightness and contrast controls on or under their front edges. Depending on how dim your display appears, you may be able to adjust brightness or contrast using the Displays pane of System Preferences.
- Calibrate the display by choosing Apple () > System Preferences. Click Displays, select Color, and click Calibrate.
- The flickering may be caused by interference from a nearby power line, a fluorescent light, or an electrical device—for example, a radio, a microwave oven, or another computer. Try relocating nearby electrical devices or moving your computer and display.

No colors appear on the screen or the colors don't look right.

- Make sure the display is connected firmly to the computer.
- Calibrate your display, as described previously. For more information on color and your display, see Mac OS Help.
- Open the Displays pane of System Preferences and make sure your display is set to display colors. For more information on color and your display, see Mac OS Help.

After you change the screen resolution, desktop icons move.

Changing the screen resolution affects the display of information on your screen. The operating system may reposition icons after you change the screen resolution.

The screen freezes.

- Force the application that has frozen to quit. Choose Apple (🍏) > Force Quit and select the application.
- If that doesn't work, force the computer to restart by pressing the power button on the front of your computer for approximately 5 seconds.

The light on the front of the display is flashing.

On some Apple flat-panel displays, the power light displays a series of short flashes when an error has been detected.

- *If you see a repeating sequence of three short flashes*, the display is detecting input in the wrong video format. Make sure your display is compatible with your graphics card and that you've installed the correct display software, if your display came with installation software.
- *If you see a sequence of two short flashes and a long flash*, the display is detecting a problem with a backlighting lamp. Contact an Apple Authorized Reseller or Service Provider.

Using Apple Hardware Test

You can use Apple Hardware Test to help determine if there is a problem with your computer's hardware.

To use Apple Hardware Test:

- 1 Disconnect all external devices from your computer except the keyboard and mouse. If you have an Ethernet cable connected, disconnect it.
- 2 Insert the "Additional Software & Apple Hardware Test" disc that came with your computer.
- 3 Restart your computer and hold down the "C" key as it starts up. A list of available startup volumes appears. Click Apple Hardware Test and click the right arrow.
- 4 When the Apple Hardware Test main screen appears after about 45 seconds, follow the onscreen instructions.
- 5 If Apple Hardware Test detects a problem, it displays an error code. Make a note of the error code before pursuing support options. If Apple Hardware Test does not detect a hardware failure, the problem may be software related.

For more information about Apple Hardware Test, see the Apple Hardware Test Read Me file on the "Additional Software & Apple Hardware Test" disc.

Installing Software on Your Computer

Use the software install discs that came with your computer to install Mac OS X, the applications that came with your computer, and Classic Support.

Important: Apple recommends that you back up the data on your hard disk before restoring software. Apple is not responsible for any lost data.

Installing Mac OS X and Applications

To install Mac OS X and the applications that came with your computer, follow these steps:

- 1 Back up your essential files, if possible.
- 2 Insert the Mac OS X install disc 1 that came with your computer.
- 3 Double-click “Install Mac OS X and Bundled Software.”
- 4 Follow the onscreen instructions.
- 5 After selecting the destination disk for installation, continue following the onscreen instructions. Your computer may restart and ask you to insert the Mac OS X install disc 2.

Note: If you want to restore the software on your computer to the original factory settings, click Options in the “Select a Destination” pane of the Installer, and then select “Erase and Install.”

Important: Because the “Erase and Install” option erases your destination disk, you should back up your essential files before installing Mac OS X and other applications.

Installing Applications

To install just the applications that came with your computer, follow the steps below. Your computer must have Mac OS X already installed.

- 1 Back up your essential files, if possible.
- 2 Insert the Mac OS X install disc 1 that came with your computer.
- 3 Double-click “Install Bundled Software Only.”
- 4 Follow the onscreen instructions.
- 5 After selecting the destination disk for installation, continue following the onscreen instructions. Your computer may restart and ask you to insert the Mac OS X install disc 2.

Note: To install iCal, iChat AV, iMovie, iPhoto, iSync, iTunes, and Safari, follow the “Installing Mac OS X and Applications” instructions above.

Installing Classic Support and Other Applications

Use the “Additional Software & Apple Hardware Test” to install Classic support and additional applications that were not included on Mac OS X install disc 1. Install Classic support if you want to use Mac OS 9 applications with your computer.

Follow these steps to install Classic support or the additional bundled applications:

- 1 Back up your essential files, if possible.
- 2 Insert the “Additional Software & Apple Hardware Test” disc that came with your computer.
- 3 Double-click “Install Extra Software.”
- 4 Follow the onscreen instructions.
- 5 After selecting the destination disk for installation, continue following the onscreen instructions for a basic installation or click “Customize” to choose the applications you want to install.

Maximizing Ethernet Performance

Your computer performs best when the Ethernet port to which it is connected is set to auto-negotiate. Ask your network administrator to verify this setting.

Important: If you experience connection problems on your network, make sure your network switch is set to auto-negotiate, if possible. If a switch’s port is not auto-negotiating, your computer detects the appropriate speed but defaults to half-duplex mode. If the switch’s port at the other end of the link is configured for full-duplex mode, a large number of late events can occur on the link. If it isn’t possible to set the switch to auto-negotiate, then set the switch’s port to half-duplex. For more information, see the documentation that came with the Ethernet switch.

Note: If you connect your computer directly to a configurable Ethernet switch, have your network administrator disable spanning tree on that port. Otherwise your computer may duplicate the AppleTalk address of another computer on the same network and both network connections may become unreliable.

Locating Your Product Serial Number

The serial number of your Power Mac G5 is on the configuration label, which is located inside the side panel, directly below the air deflector. System Profiler also shows the serial number. Open System Profiler (in Applications/Utilities) and click the System Profile tab.

Processor and Memory Specifications

Processor

- PowerPC processor with 512 kilobytes (KB) of on-chip L2 cache per processor

Random-access memory (RAM)

- Double-Data-Rate (DDR) synchronous dynamic random-access memory (SDRAM)
- All DDR SDRAM supplied in removable dual inline memory modules (DIMMs)
- DIMMs installed in pairs of equal size
- Four or eight DIMM slots available for 400 MHz, PC 3200 DDR SDRAM, depending on your computer model
 - 256 MB DIMMs must have 128 or 256 megabit (Mbit) technology devices;
 - 512 MB DIMMs must have 256 Mbit technology devices; and
 - 1 GB DIMMs must have 512 Mbit technology devices.
- 2.5 volt (V) unbuffered
- 184-pin
- Non-error-correcting (NECC)
- Nonparity

System Profiler, located in Applications/Utilities, provides information about your computer, including the amount of memory.

Graphics Controller

- AGP 8X Pro graphics card with an Apple Display Connector (ADC) and Digital Visual Interface (DVI) connector. AGP 3.0 or AGP Pro compliant.

Video Display Modes

For technical specifications for your display:

- *Apple displays:* Go to the Apple website and check the specifications for your product at www.apple.com/displays.
- *Non-Apple displays:* Go to www.apple.com/guide.

Combo Drive (DVD-ROM/CD-RW) Specifications

- *Disc diameters supported:* 12 cm and 8 cm

Data formats

- CD-ROM
- CD-Audio
- CD-R
- CD-RW
- CD-I
- CD-I Bridge
- CD Extended
- CD Mixed Mode
- Photo CD
- Video CD
- Enhanced CD
- DVD-Video
- DVD-ROM
- DVD-R (read only)

SuperDrive (DVD-R/CD-RW) Specifications

- *Disc diameters supported:* 12 cm and 8 cm

Data formats

- CD-ROM
- CD-Audio
- CD-R
- CD-RW
- CD-I
- CD-I Bridge
- CD Extended
- CD Mixed Mode
- Photo CD
- Video CD
- Enhanced CD
- DVD-Video
- DVD-ROM
- DVD-R

USB Specifications

- Support for Universal Serial Bus (USB) 2.0 and 1.1
- Five external USB Type A ports
 - One USB 2.0 port on the front
 - Two USB 2.0 ports on the back
 - Two USB 1.1 ports on the Apple Keyboard
- Each rear port is on a separate 480 megabit-per-second (Mbps) USB channel
- 500 milliamperes (mA) at 5 V are available for each USB 2.0 port, for a total of 1.5 amperes

FireWire Specifications

- Support for FireWire 400 and FireWire 800
- Three external FireWire ports
 - One FireWire 400 port on the front
 - One FireWire 400 and one FireWire 800 port on the back
- *Data transfer speed:*
 - *FireWire 400:* 100, 200, and 400 Mbps
 - *FireWire 800:* 100, 200, 400, and 800 Mbps

Power

- *Output voltage range:* Approximately 13 to 25 V
- *Output power range:* Up to 15 W

Ethernet Specifications

- IEEE 802.3 compliant
- *Maximum cable length:* 100 meters (m)
- *Protocols:* Open Transport, AppleShare, AppleTalk, NetWare for Macintosh, TCP/IP
- *Connector:* RJ-45 for 10Base-T, 100Base-TX, and 1000Base-T
- *Media, 10Base-T:* Category 3 or higher UTP on 2 pairs up to 100 m
- *Media, 100Base-TX:* Category 5 UTP on 2 pairs up to 100 m
- *Media, 1000Base-T:* Category 5 and 6 UTP on 4 pairs up to 100 m
- *Channel speeds:* IEEE Auto Negotiation of 10Base-T, 100Base-TX, and 1000Base-T

Modem Specifications

- *Data communications standard:* K56Flex and V.92
- *Speed:* 53 kilobits per second (Kbps)
- *Fax standard:* ITU V.17

Bluetooth Specifications (Optional)

- *Wireless data rate:* Up to 1 Mbps
- *Range:* Up to 30 feet (data rates may vary depending on environmental conditions)
- *Frequency band:* 2.4 gigahertz (GHz)

AirPort Extreme Card (Optional) Specifications

- *Wireless data rate:* Up to 54 Mbps
- *Range:* Up to 150 feet (data rates may vary depending on environmental conditions)
- *Frequency band:* 2.4 gigahertz (GHz)
- *Radio output power:* 15 dBm (nominal)

Compatibility

- 802.11 Direct Sequence Spread Spectrum (DSSS) 1 and 2 Mbps standard
- 802.11b 11Mbps standard
- 802.11g 54 Mbps standard

Optical Digital Audio Specifications

- *Data format:* Sony/Phillips Digital Interface (S/PDIF) protocol (IEC60958-3)
- *Connector type:* Toslink optical (IEC60874-17)
- *Bits per sample:* 16-bit or 24-bit

Optical digital audio out

Based on a typical situation with playback of a 1KHz, -1dBFS 24-bit sine wave, 44.1Khz output sample rate, unless otherwise specified below.

- *Output sample rate:* 32 kHz, 44.1 kHz or 48 kHz
- *Signal-to-noise ratio:* Greater than 130 dB
- *Total harmonic distortion + noise:* Less than -130 dB (0.00001 percent)

Optical digital audio in

Based on a typical situation with playback of a 1KHz, -1dBFS 24-bit sine wave, unless otherwise specified below.

- *Fsi-input sample rate (external clock mode):* 32 kHz, 44.1 kHz or 48 kHz
- *Fsi-input sample rate (internal clock mode):* 16 kHz to 96 kHz
- *Signal-to-noise ratio (external clock mode):* Greater than 130 dB
- *Signal-to-noise ratio (internal clock mode, 16 kHz < Fsi < 96 kHz):* Less than -112 dB
- *Total harmonic distortion + noise (external clock mode):* Less than -130 dB (0.00001%)
- *Total harmonic distortion + noise (internal clock mode, 16 kHz < Fsi < 96 kHz):* Less than -112 dB (0.0003%)

Analog Audio Specifications

- *Sample rate:* 32 kHz, 44.1 kHz or 48 kHz
- *Jack type:* 1/8" mini
- *Bits per sample:* 16-bit or 24-bit
- *Frequency response:* 20 Hz to 20 kHz, +0.5 dB/-3 dB

Sound out using the headphone jack

- *Output voltage:* 1.4 volts (root mean square) (V_{rms}) (+4 dbu)
- *Output impedance:* 24 ohms
- *Output power:* 20 milliwatts (mW)
- *Signal-to-noise ratio:* Greater than 90 dB
- *Total harmonic distortion:* Less than -80 dB (0.01 percent)
- *Channel separation:* Greater than 65 dB

Analog audio line-in

- *Maximum input voltage:* 2 volts (root mean square) (V_{rms}) (+8 dbu)
- *Input impedance:* Greater than 47 kilohms
- *Signal-to-noise ratio:* Greater than 90 dB
- *Total harmonic distortion:* Less than -85 dB (0.006 percent)
- *Channel separation:* Greater than 75 dB

Analog audio line-out

- *Output voltage:* 1.4 volts (root mean square) (V_{rms}) (+4 dbu)
- *Output impedance:* 24 ohms
- *Signal-to-noise ratio:* Greater than 90 dB
- *Total harmonic distortion:* Less than -80 dB (0.01 percent)
- *Channel separation:* Greater than 65 dB

Power Supply

AC line input

- *Voltage range:* 100–240 V alternating current (AC)
- *Current:* 7.5 amperes (A) uniprocessor or 9.5 amperes (A) dual processor
- *Frequency:* 50–60 Hz

DC display output

- 4.0 A maximum at nominal 25 V DC from the Apple Display Connector

Power Requirements for Devices You Can Connect

Expansion cards

- Combined maximum power consumption by the AGP and PCI cards is 90 W.

USB devices

- Each of the computer's built-in USB ports is allotted 500 mA.

FireWire devices

- The computer can provide up to 15 W total to the FireWire ports.

System Clock and Battery

- CMOS custom circuitry with long-life lithium battery. You can replace the computer's battery (see "Replacing the Battery" on page 67) with a new one purchased from an Apple Authorized Reseller.

Dimensions and Operating Environment

Dimensions

- *Weight:* 17.84 kg (39.32 lbs.)

Weight depends on configuration. Weight above includes basic configuration: a uniprocessor, an optical drive and one hard disk drive. Weight may be greater if optional devices are installed.

- *Height:* 511 mm (20.12 in.)
- *Width:* 206 mm (8.11 in.)
- *Depth:* 475 mm (18.70 in.)

Operating environment

- *Operating temperature:* 10° to 35° C (50° to 95° F)
- *Storage temperature:* -40° to 47° C (-40° to 116° F)
- *Relative humidity:* 5% to 95% (noncondensing)
- *Altitude:* 0 to 3048 meters (0 to 10,000 feet)

This appendix provides important information about safety procedures, routine maintenance, and ergonomic considerations for using your computer and display.

Important Safety Information

The only way to disconnect power completely from your computer is to unplug the power cord from the main power supply. To disconnect your display completely, you must also unplug its power cable from the computer or power outlet. Make sure that at least one end of the device's power cord is within easy reach so that you can unplug the computer or display when necessary.

For your own safety and that of your equipment, always take the following precautions.

Disconnect the power plug (by pulling the plug, not the cord), from your computer or display and disconnect the phone cord if any of the following conditions exists:

- The power cord or plug becomes frayed or otherwise damaged
- You spill something into the case
- Your computer or display is exposed to rain or any other excess moisture
- Your computer or display has been dropped or the case has been otherwise damaged
- You suspect that your computer or display needs service or repair
- You want to clean the computer or display case or screen
- You notice a coolant leak in or from your computer (for Power Mac G5 models equipped with a liquid cooling system)

If you plan to store your computer for an extended period of time, remove the battery.

To prevent accidents and damage to your computer or display, be sure that you always follow these instructions:

- Keep your computer and display away from sources of liquids and moisture.
- Don't set anything on top of the computer or display.
- Keep the computer and display vents free from obstruction.
- Never remove the case from the display or open your computer when it's running. You could come in contact with hazardous voltage.
- During lightning storms, disconnect your modem from the phone jack to prevent damaging the modem with a destructive voltage overload.



Warning: Your Macintosh is equipped with a three-wire grounding plug—a plug that has a third grounding pin. This is a safety feature. Don't modify the plug to fit into an ungrounded outlet. Contact a licensed electrician to replace the outlet with a properly grounded one. Do not defeat the purpose of the grounding plug!

Be careful when lifting or moving your computer or display. Be sure to use correct lifting procedures, lifting with your legs. When carrying the display, make sure the display is facing you. Don't carry the display by its stand.



Warning: Electrical equipment may be hazardous if misused. Operation of this product by children must always be supervised by an adult. Do not allow children access to the interior of any electrical product and do not permit them to handle any cables.

Liquid Cooling System

Some Power Mac G5 models use a liquid cooling system to manage the temperature in the computer. The liquid cooling system is sealed and is designed to be opened only by an Apple Authorized Service Provider (AASP).



Warning: Do not attempt to open or service the liquid cooling system. Opening the liquid cooling system may damage your equipment, and such damage may not be covered by the limited warranty on your computer.



Warning: Always operate your computer in an upright position. In the unlikely event that coolant leaks in or from your computer, disconnect all electrical power to the computer and do not restart it. Contact an Apple Authorized Service Provider or Apple for information about servicing your computer.

After disconnecting electrical power, you can clean up coolant using an absorbent cloth. Avoid inhaling or direct contact with skin: coolant may cause minor skin irritation. If coolant contacts skin, wash well with soap and water. If coolant contacts eyes, rinse thoroughly with water. Dispose of all clean-up materials in accordance with your local environmental laws, regulations, and guidelines.

Coolant may be harmful if swallowed. Material Safety Data Sheets (MSDS) are available at www.apple.com/about/environment/use/lcs.html.

For service or questions about your warranty, contact an Apple Authorized Service Provider or Apple. Service and support information is included with your computer's documentation.

Apple and the Environment

At Apple, we recognize our responsibility to minimize the environmental impacts of our operations and products.

For More Information

Go to www.apple.com/about/environment.

General Maintenance

If you need to clean the computer or display beyond wiping it down with a clean cloth, follow these instructions:

- 1 Turn your computer and display off.
- 2 Disconnect the computer power cable from the electrical outlet or power strip. If your display is connected to an outlet, disconnect it as well.
- 3 Disconnect the display's cables from the computer.
- 4 Clean the display screen with soft, lint-free paper or cloth dampened with mild soap and water.

Warning: Do not spray liquid directly onto the display screen. Liquid could drip inside the display and cause electrical shock.

- 5 Wipe the computer or display case surfaces lightly with a clean, soft cloth dampened with water.

Important: Don't use alcohol, aerosol sprays, solvents, or abrasives that might damage the finish on the case.

Protecting Your Optical Drive

To keep your optical drive working properly:

- Position your computer so that the drive tray doesn't bump into anything when it opens.
- Close the drive when you're not using it.
- Do not put anything on the drive tray when it is open.
- Do not touch the optical drive lens with your fingers. Do not wipe the lens with a paper towel or other abrasive surface. If you need to clean the lens, see an Apple Authorized Service Provider for a lens cleaner.
- Keep your computer away from any source of moisture.

Maintaining Your Display

To maintain your display and ensure its long life:

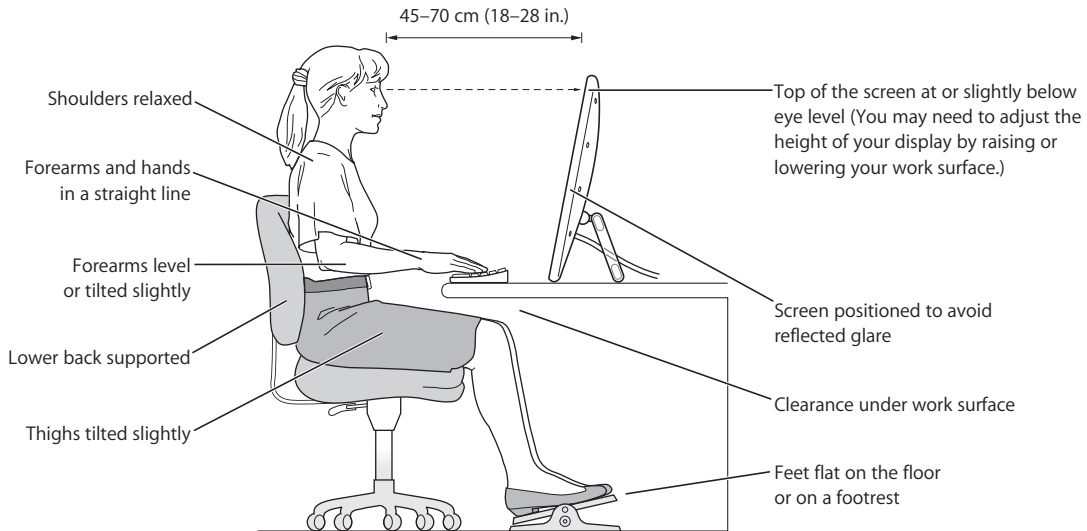
- Do not press on the surface of the display screen.
- Do not write on the screen or touch the screen with a sharp object.
- If you will not be using your display and computer for a day or more, turn off the computer and display or use Energy Saver.
- Turn off your display, turn down the brightness, or use a screen saver program that dims or varies the image on the screen when the computer is idle for a prolonged time.

Important Ergonomic and Health-Related Information

Here are some guidelines for adjusting the furniture in your office to reduce glare and to accommodate your physical size and shape.

- An adjustable chair that provides firm, comfortable support is best. Adjust the height of the chair so your thighs are tilted slightly and your feet are flat on the floor. The back of the chair should support your lower back (lumbar region). Follow the manufacturer's instructions for adjusting the backrest to fit your body properly.
- When you use the computer keyboard, your shoulders should be relaxed. Your upper arm and forearm should form an approximate right angle, with your wrist and hand in roughly a straight line.
You may have to raise your chair so your forearms and hands are at the proper angle to the keyboard. If this makes it impossible to rest your feet flat on the floor, you can use a footrest with adjustable height and tilt to make up for any gap between the floor and your feet. Or you can lower the desktop to eliminate the need for a footrest. Another option is to use a desk with a keyboard tray that's lower than the regular work surface.
- Position the mouse at the same height as your keyboard. Allow adequate space to use the mouse comfortably.

- Arrange the display so the top of the screen is slightly below your eye level when you're sitting at the keyboard. The best distance from your eyes to the screen is up to you, although most people seem to prefer 18 to 28 inches (45 to 70 cm).
- Position the display to minimize glare and reflections on the screen from overhead lights and nearby windows. If possible, use a tiltable display stand. The stand lets you set the display at the best angle for viewing, helping to reduce or eliminate glare from lighting sources you can't move.



For more information about health, safety, and maintenance, go to the Apple ergonomic website at www.apple.com/about/ergonomics.

You can use your computer to browse the World Wide Web, send email to friends and family, and chat in real time over the Internet. Use this detailed guide to connect to the Internet.

When you first start up Mac OS X, the Setup Assistant helps you enter your Internet configuration information and sign up for an Internet service provider (ISP) if you don't already have one.

If you didn't use the Setup Assistant to configure your Internet connection, you can use it now. Open System Preferences and click Network. Click the "Assist me" button to open Network Setup Assistant. If you don't want to use Network Setup Assistant, you can use the information in this appendix to set up your connection manually.

There are four kinds of Internet connections:

- **Dial-up connection:** Your computer is plugged into a telephone wall jack using a telephone cable (with computers that include a modem).
- **High-speed DSL or cable modem connection:** Your computer is plugged into a special modem you get from an ISP using an Ethernet cable.
- **AirPort Extreme wireless connection:** Your computer is connected wirelessly to the Internet using an AirPort Extreme Base Station.
- **Local area network (LAN):** Your computer is plugged into a LAN using an Ethernet cable. This type of connection is usually used in the workplace.

Before you connect to the Internet:

- 1 Set up an account with an ISP. If you do not have an ISP account, the Setup Assistant can help you get one. If you don't want to use the ISP suggested by the Setup Assistant, you can find an ISP in your phone directory. Look under "Internet access," "Internet service," or "online."

Note: If you want to use America Online as your ISP, skip the Internet setup part of the Setup Assistant. Follow the onscreen instructions in the AOL Installer application to set up AOL.

- 2 Gather the connection information you need from your ISP or network administrator. See the next section, “Gathering the Information You Need,” to find out what information to get for each type of connection.

If another computer in the same location is already connected to the Internet, you may be able to use its settings.

To find the settings on a Mac OS X computer:

- Open the Network pane of System Preferences.
- Choose your connection method from the Show pop-up menu.
- Copy the information for your configuration.

To find the settings on a Mac OS 9 computer:

- Open the TCP/IP control panel.
- Find the connection method in the “Connect via” pop-up menu.
- Find the configuration in the Configure pop-up menu.
- Copy the IP address, subnet mask, and router address from the corresponding fields.

To find the settings on a Windows PC:

The connection information on a Windows computer resides in two places.

- To find the IP address and subnet mask, open the “Network and Internet Connections” control panel.
- To find user account information, open the User Accounts control panel.

You can write the information directly on the next few pages, then enter it in the Setup Assistant.

- 3 If you are using a dial-up modem, plug a phone cord (included with most Macintosh computers) into your computer’s modem port and into a phone wall jack. If you are using a DSL or cable modem, follow the instructions that came with the modem to connect it to your computer.

Gathering the Information You Need

You can write the information you get from your Internet service provider (ISP), your network administrator, or your other computer on these pages, then enter it in Network Setup Assistant.

To set up a telephone dial-up connection, gather the following information:

- Service provider name
- User or account name
- Password
- ISP phone number
- Alternate phone number
- Dialing prefix to obtain an outside line

To set up a DSL, cable modem, LAN, or AirPort Extreme wireless connection:

- First, choose your connection method (ask your system administrator or your ISP, if you don't know):
 - Manually
 - Using DHCP with a manual address
 - Using DHCP
 - Using BootP
 - PPP

If you're unsure which method to use, "Using DHCP" may be a good choice, because the network supplies most of the required information for you automatically.

If you selected "Manually" or "Using DHCP with a manual address," gather the following:

- IP address
- Subnet mask
- Router address

Note: If you selected "Using DHCP with a manual address," you don't need a subnet mask or router address.

If you selected "Using DHCP," gather the following optional information (ask your ISP if you need it):

- DHCP client ID
- DNS servers

If you selected “PPP” (for PPPoE connections), gather the following:

- Service provider
- Account name
- Password
- PPPoE service name

The information below is optional. Ask your ISP or system administrator if you need it.

- DNS servers
- Domain name
- Proxy server

Entering Your Information

After gathering your specific setup information from your ISP or network administrator, you can click the “Assist me” button in the Network preferences pane to open Network Setup Assistant, or you can enter the information manually.

To enter your information manually, follow the steps that correspond to your connection method.

- Dial-up modem with Point-to-Point Protocol (PPP) connection (see page 92)
- Cable modem, DSL, or LAN connection (page 95) using these configurations:
 - Manual
 - DHCP
 - PPPoE
- AirPort Extreme wireless connection (see page 100)

Dial-Up Modem With Point-to-Point Protocol (PPP) Connections

A dial-up modem is the most common way to connect to the Internet. Your modem uses a method called Point-to-Point Protocol (PPP) to connect to an ISP.

Make sure your modem is plugged into a phone line and you have the information from your ISP available (see page 91).

To set up Network preferences to connect using the internal modem port:

- 1 Choose Apple () > System Preferences from the menu bar.
- 2 Click Network.

- 3 Choose Network Port Configurations from the Show pop-up menu and select the On checkbox next to Internal Modem.



- 4 Drag Internal Modem to the top of the Port Configurations list to make it the preferred, or primary, network interface.
- 5 Choose Internal Modem from the Show pop-up menu and click PPP.
- 6 Enter the information from your ISP and click Apply Now.



To test your Internet configuration:

- 1 Open the Internet Connect application (in the Applications folder).
- 2 Click the Internal Modem icon, if necessary.
- 3 Enter your dial-up telephone number, account name, and password, if necessary.
- 4 Click Connect.

Internet Connect dials your ISP and establishes a connection.

To connect automatically when you start a TCP/IP application, such as a web browser or email:

- 1 Click PPP Options (in the PPP pane of Network preferences).
- 2 Select the “Connect automatically when needed” checkbox.



- 3 Click OK and Apply Now.

DSL, Cable Modem, or LAN Internet Connections

If you connect to the Internet using a DSL or cable modem or Ethernet LAN, ask your ISP or network administrator how you should configure your Internet connection:

- Manually. With a manual configuration, your ISP or network administrator provides a static IP address and other information that you enter in Network preferences.
- Using Dynamic Host Configuration Protocol (DHCP). With a DHCP configuration, the DHCP server automatically enters the information for you.
- Using Point-to-Point Protocol over Ethernet (PPPoE). If you use a DSL modem and need a user name and password to connect to the Internet, you may need to configure your network to use PPPoE.

Make sure you have the information from your ISP available as you configure your network (see page 91).

To set up Network preferences for the built-in Ethernet port:

- 1 Choose Apple (🍏) > System Preferences from the menu bar.
- 2 Click Network.
- 3 Choose Network Port Configurations from the Show pop-up menu.
- 4 Select Built-in Ethernet.



- 5 Drag Built-in Ethernet to the top of the Port Configurations list to make it the preferred, or primary, network interface.

Next, follow the instructions to configure your network manually, using DHCP, or using PPPoE, as instructed by your ISP or network administrator.

Manual Configuration

Have your static IP address, router address, and subnet mask from your ISP ready (see page 91).

To set up a manual configuration:

- 1 In Network preferences, choose Built-in Ethernet from the Show pop-up menu.
- 2 Click TCP/IP, if necessary.
- 3 In the Configure IPv4 pop-up menu, choose Manually.



- 4 Type the information into the corresponding fields.
- 5 Click Apply Now.

Once you configure your network, your connection is ready. Open your web browser (or another TCP/IP application) to test your Internet connection.

DHCP Configuration

After you set up a DHCP configuration, the DHCP server automatically provides your network information.

To set up a DHCP configuration:

- 1 In Network preferences, choose Built-in Ethernet from the Show pop-up menu.
- 2 Click TCP/IP, if necessary.
- 3 Choose Using DHCP from the Configure IPv4 pop-up menu.



- 4 Click Apply Now.

Open your web browser (or another TCP/IP application) to test your Internet connection.

Note: Unless your ISP instructs you to do otherwise, ignore the DHCP Client ID field and the Search Domains field.

PPPoE Configuration

Some DSL-based ISPs use Point-to-Point Protocol over Ethernet (PPPoE). If you use a DSL modem and need a user name and password to connect to the Internet, check with your ISP to determine if you should connect using PPPoE.

To set up a PPPoE connection:

Have your user name, password, and if required, the domain name server (DNS) address from your ISP available (see page 91).

- 1 In Network preferences, choose Built-in Ethernet from the Show pop-up menu.
- 2 Click PPPoE and select “Connect using PPPoE.”



- 3 Type the information into the corresponding fields. If you want all users of your computer to use the same connection method, select “Save password.”

Note: To connect automatically when you start a TCP/IP application, such as a web browser or email, click PPPoE Options, then select “Connect automatically when needed.”

- 4 Click TCP/IP and choose either Using PPP or Manually from the Configure IPv4 pop-up menu, as instructed by your ISP. If you have a static IP address from your ISP, choose Manually and type the address in the IP Address field.
- 5 Type the domain name server (DNS) addresses in the DNS Servers field.



- 6 Click Apply Now.

Once you configure your network, your Internet connection is ready. You can open your web browser or other TCP/IP application to test your connection.

Important: If you did not select the option to connect automatically, you will need to open the Internet Connect application, choose the correct configuration, and then click Connect. For more information, choose Help > Internet Connect Help from the menu bar at the top of the display.

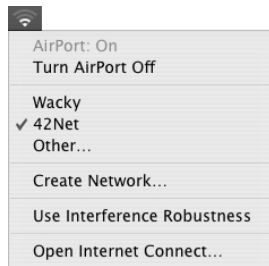
AirPort Extreme Wireless Connection

You can configure your AirPort Extreme network and Internet connection using AirPort Setup Assistant, located in the Utilities folder within your Applications folder. The assistant helps you configure the AirPort Extreme Base Station and set up your computer to use AirPort Extreme. For more information about your AirPort Extreme Base Station, see the *AirPort Extreme Base Station Setup Guide* that came with your base station.

If your AirPort Extreme Base Station is already configured, in most cases your AirPort Extreme Card is ready to access it immediately.

To check if you have access to an AirPort Extreme network:

- Click the AirPort status icon in the menu bar and choose an AirPort network listed there.



If you don't see an AirPort network listed, you can use AirPort Setup Assistant to check or change your settings, or you can change them using the Network pane of System Preferences.

Setting Up an AirPort Extreme Connection Manually

Gather the following information from your system administrator if you'll be setting up a manual connection, which uses specific preassigned addresses for your servers and computer.

If you'll be connecting using DHCP, most of this information is provided to your computer automatically by the network, so ask your system administrator what is required.

- Domain name server (DNS) addresses, if necessary
- DHCP or manual IP address configuration
- IP address
- Router address
- Subnet mask
- Password, if required

Next, make sure your AirPort connection options are active in Network preferences.

To set up Network preferences for an AirPort Extreme connection:

- 1 Choose Apple () > System Preferences from the menu bar.
- 2 Click Network.
- 3 Choose Network Port Configurations from the Show pop-up menu.
- 4 Select the On checkbox next to AirPort.



Next, follow the instructions to configure your network either manually or using DHCP, as instructed by your ISP or network administrator. If you're setting up your network yourself, it may be easier to configure the network using DHCP, because the server assigns IP addresses automatically.

- 5 Choose AirPort from the Show pop-up menu.
- 6 Click TCP/IP, if necessary.
- 7 In the Configure IPv4 pop-up menu, choose either Manually or Using DHCP.



- If you chose Manually, type the other information into the corresponding fields.
 - If you chose Using DHCP, you don't need to enter any further information unless your system administrator has instructed you to do so.
- 8 Click AirPort and select options for joining an AirPort Extreme network after restarting or when your computer wakes from sleep.
 - 9 Click Apply Now.

Once you configure your AirPort settings, you are ready to connect.

To test your AirPort Extreme connection:

- Click the AirPort status icon in the menu bar and choose Turn AirPort On.
Any AirPort Extreme network in range should appear in the menu.

Troubleshooting Your Connection

Cable Modem, DSL, and LAN Internet Connections

If you can't connect to the Internet using your cable modem, DSL, or local area network (LAN), see the following steps.

Important: Instructions that refer to modems do not apply to LAN users. LAN users may have hubs, switches, routers, or connection pods that cable and DSL modem users do not. LAN users should contact their network administrator rather than an ISP.

Check the cables and power supplies

Make sure all modem cables are firmly plugged in, including the modem power cord, the cable from the modem to the computer, and the cable from the modem to the wall jack. Check the cables and power supplies to Ethernet hubs and routers.

Turn the modem off and on and reset the modem hardware

Cycle the power on your DSL or cable modem by turning it off for a few minutes and then turning it back on. Some ISPs recommend that you unplug the modem's power cord. If your modem has a reset button, you can press it either before or after cycling the power.

PPPoE Connections

If you are unable to connect to your ISP using PPPoE, first check the cables and power supplies, then turn the modem off and on again and reset the modem hardware.

Check System Preferences settings

- 1 Choose Apple () > System Preferences from the menu bar.
- 2 Click Network.
- 3 Choose Network Port Configurations from the Show pop-up menu.
- 4 Drag Built-in Ethernet to the top of the Port Configurations list.
- 5 Choose Built-in Ethernet from the Show pop-up menu.
- 6 Click PPPoE.
- 7 Select "Connect using PPPoE."
- 8 Check the Account Name field to be sure you have entered the correct information from your ISP.
- 9 If you chose to save your password, retype it to make sure it is correct.
- 10 Click TCP/IP. Make sure you've entered the correct information from your ISP in this pane.
- 11 Click Apply Now.

Network Connections

If you have two or more computers attempting to share an Internet connection, be sure that your network is set up properly. You need to know if your ISP provides only one IP address or if it provides multiple IP addresses, one for each computer.

If only one IP address is used, then you must have a router capable of sharing the connection, also known as network address translation (NAT) or “IP masquerading.” For setup information, check the documentation provided with your router or ask the person who set up your network. The AirPort Extreme Base Station may be used to share one IP address among multiple computers. For information on using the AirPort Extreme Base Station, check the onscreen help or visit the Apple AirPort website at www.apple.com/airport.

If you cannot resolve the issue using these steps, contact your ISP.

Communications Regulation Information

FCC Compliance Statement

This equipment has been tested and found to comply with the limits for a Class B digital device, pursuant to part 15 of the FCC Rules. These limits are designed to provide reasonable protection against harmful interference in a residential installation.

This equipment generates, uses, and can radiate radio frequency energy and, if not installed and used in accordance with the instructions, may cause harmful interference to radio communications. However, there is no guarantee that interference will not occur in a particular installation. If this equipment does cause harmful interference to radio or television reception, which can be determined by turning the equipment off and on, the user is encouraged to try to correct the interference by one or more of the following measures:

- Reorient or relocate the receiving antenna.
- Increase the separation between the equipment and receiver.
- Connect the equipment into an outlet on a circuit different from that to which the receiver is connected.
- Consult the dealer or an experienced radio/TV technician for help.

If necessary, consult an Apple Authorized Service Provider or Apple. See the service and support information that came with your Apple product. Or, consult an experienced radio/television technician for additional suggestions.

Important: Changes or modifications to this product not authorized by Apple Computer, Inc., could void the EMC compliance and negate your authority to operate the product.

This product was tested for EMC compliance under conditions that included the use of Apple peripheral devices and Apple shielded cables and connectors between system components. It is important that you use Apple peripheral devices and shielded cables and connectors between system components to reduce the possibility of causing interference to radios, television sets, and other electronic devices. You can obtain Apple peripheral devices and the proper shielded cables and connectors through an Apple Authorized Reseller. For non-Apple peripheral devices, contact the manufacturer or dealer for assistance.

Responsible party (contact for FCC matters only): Apple Computer, Inc. Product Compliance, 1 Infinite Loop M/S 26-A, Cupertino, CA 95014-2084, 408-974-2000.

Industry Canada Statement

Complies with the Canadian ICES-003 Class B specifications. Cet appareil numérique de la classe B est conforme à la norme NMB-003 du Canada.

VCCI Class B Statement

情報処理装置等電波障害自主規制について

この装置は、情報処理装置等電波障害自主規制協議会 (VCCI) の基準に基づくクラス B 情報技術装置です。この装置は家庭環境で使用されることを目的としていますが、この装置がラジオやテレビジョン受信機に近接して使用されると、受信障害を引き起こすことがあります。

取扱説明書に従って正しい取扱をしてください。

European Community

Complies with European Directives 72/23/EEC, 89/336/EEC, and 99/5/EEC.

Laser Information

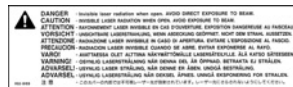
Warning: Making adjustments or performing procedures other than those specified in your equipment's manual may result in hazardous radiation exposure.

Do not attempt to disassemble the cabinet containing the laser. The laser beam used in this product is harmful to the eyes. The use of optical instruments, such as magnifying lenses, with this product increases the potential hazard to your eyes. For your safety, have this equipment serviced only by an Apple Authorized Service Provider.

If you have an internal Apple CD-ROM, DVD-ROM, or DVD-RAM drive in your computer, your computer is a Class 1 laser product. The Class 1 label, located in a user-accessible area, indicates that the drive meets minimum safety requirements. A service warning label is located in a service-accessible area. The labels on your product may differ slightly from the ones shown here.



Class 1 label



Service warning label

Laser Specifications

Laser on pickup unit (when reading a CD):

- *Type:* Semiconductor GaAlAs laser
- *Wavelength:* 790 nm
- *Power out of objective lens:* 3.3 mW
- *Beam divergence:* horizontal 12° vertical 35°

Exposure to Radio Frequency Energy

The radiated output power of the optional AirPort Extreme Card is far below the FCC radio frequency exposure limits. Nevertheless, it is advised to use the wireless equipment in such a manner that the potential for human contact during normal operation is minimized.

Mouse and Keyboard Information

The Apple optical mouse is a Class 1 LED product. This product complies with the requirements of European Directives 72/23/EEC and 89/336/EEC.

It also complies with the Canadian ICES-003 Class B Specification.

High-Risk Activities Warning

This computer system is not intended for use in the operation of nuclear facilities, aircraft navigation or communications systems, or air traffic control machines, or for any other uses where the failure of the computer system could lead to death, personal injury or severe environmental damage.

ENERGY STAR® Compliance

As an ENERGY STAR® partner, Apple has determined that standard configurations of this product meet the ENERGY STAR® guidelines for energy efficiency. The ENERGY STAR® program is a partnership with office product equipment manufacturers to promote energy-efficiency. Reducing energy consumption of office products saves money and reduces pollution by eliminating wasted energy.

Battery Disposal Information

Dispose of batteries according to your local environmental laws and guidelines.

Nederlands

Gebruikte batterijen kunnen worden ingeleverd bij de chemokar of in een speciale batterijcontainer voor klein chemisch afval (kca) worden gedeponeerd.

Computer Disposal Information

Recycle or dispose of your Power Mac G5 according to your local environmental laws, regulations, and guidelines for electrical and electronic equipment.

Telephone and Apple 56K Modem Information

Notify Your Telephone Company

Some telephone companies require that you notify the local business office when you hook up a modem to their lines.

Information You Need in the United States

The internal modem complies with Part 68 of the FCC rules. On the back of this equipment is a label that contains, among other information, the FCC registration number and ringer equivalence number (REN). If requested, provide this information to your telephone company.

- *Ringer equivalence number (REN):* 0.1B (part numbers M9455 and M9457) and 0.6B (part number M9454). The REN is useful for determining the quantity of devices you may connect to your telephone lines and still have all those devices ring when your telephone number is called. In most, but not all areas, the sum of the RENs of all devices connected to one line should not exceed five (5.0). To be certain of the number of devices you may connect to your line, as determined by the REN, you should contact your local telephone company to determine the maximum REN for your calling area.
- *Telephone jack type:* USOC, RJ-11 An FCC-compliant telephone cord and modular plug are provided with this equipment. This equipment is designed to be connected to the telephone network or premises wiring using a compatible modular jack that complies with Part 68 rules. See the installation instructions for details.

Telephone Line Problems

If your telephone doesn't work, there may be a problem with your telephone line. Disconnect the modem to see if the problem goes away. If it doesn't, report the problem either to your local telephone company or to your company's telecommunications department.

If disconnecting the modem eliminates the problem, the modem itself may need service. See the service and support information that came with your Apple product for instructions on how to contact Apple or an Apple Authorized Service Provider for assistance.

If you do not disconnect your modem when it is adversely affecting the telephone line, the telephone company has the right to disconnect your service temporarily until you correct the problem. The telephone company will notify you as soon as possible. Also, you will be informed of your right to file a complaint with the FCC.

The telephone company may make changes in its facilities, equipment, operations, or procedures that could affect the operation of your equipment. If this happens, the telephone company will provide advance notice in order for you to make the necessary modifications to maintain uninterrupted service.

The internal modem will not work with party lines, cannot be connected to a coin-operated telephone, and may not work with a private branch exchange (PBX).

Telephone Consumer Protection Act

The Telephone Consumer Protection Act of 1991 makes it unlawful for any person to use a computer or other electronic device to send any message via a telephone fax machine unless such message clearly contains, in a margin at the top or bottom of each transmitted page or on the first page of the transmission, the date and time it was sent and an identification of the business, other entity, or individual sending the message and the telephone number of the sending machine of such business, entity, or individual.

Information You Need in Canada

The Industry Canada (IC) label identifies certified equipment. This certification means that the equipment meets certain telecommunications network protective, operational, and safety requirements. The Department does not guarantee the equipment will operate to a user's satisfaction.

Before installing this equipment, make sure that you are permitted to connect to the facilities of the local telecommunications company. Be sure you use an acceptable method of connection to install the equipment. In some cases, you may extend the company's internal wiring for single-line individual service by means of a certified telephone extension cord. Be aware, however, that compliance with these conditions may not prevent degradation of service in some situations.

Repairs to certified equipment should be made by an authorized Canadian maintenance facility designated by the supplier. Any equipment malfunctions or repairs or alterations that you make

to this equipment may cause the telecommunications company to request that you disconnect the equipment.

In Canada, contact Apple at: 7495 Birchmount Road, Markham, Ontario, L3R 5G2, 800-263-3394

Warning: Users should ensure for their own protection that the electrical ground connections of the power utility, telephone lines, and internal metallic water pipe system, if present, are connected together. This precaution may be particularly important in rural areas.

Users should not attempt to make such connections themselves, but should contact the appropriate electric inspection authority or electrician.

- **Load number:** 0.1 (part numbers M9455 and M9457) and 0.2 (part number M9454). The load number (LN) assigned to each terminal device denotes the percentage of the total load to be connected to the telephone loop that is used by the device, to prevent overloading. The termination of a loop may consist of any combination of devices, subject only to the requirement that the sum of the load numbers of all devices does not exceed 100.
- **Telephone jack type:** CA-11

Informations Destinées aux Utilisateurs Canadiens

L'étiquette d'Industrie Canada identifie un matériel homologué. Cette étiquette certifie que le matériel est conforme à certaines normes de protection, d'exploitation et de sécurité des réseaux de télécommunications. Le Ministère n'assure toutefois pas que le matériel fonctionnera à la satisfaction de l'utilisateur.

Avant d'installer ce matériel, l'utilisateur doit s'assurer qu'il est permis de le raccorder au réseau de l'entreprise locale de télécommunication. Le matériel doit également être installé en suivant une méthode acceptée de raccordement. Dans certains cas, le câblage appartenant à l'entreprise utilisé pour un service individuel à ligne unique peut être prolongé au moyen d'un dispositif homologué de raccordement (cordon prolongateur téléphonique).

L'abonné ne doit pas oublier qu'il est possible que la conformité aux conditions énoncées ci-dessus n'empêche pas la dégradation du service dans certaines situations. De fait, les entreprises de télécommunication ne permettent pas que l'on raccorde un matériel aux prises d'abonnés, sauf dans les cas précis prévus par les tarifs particuliers de ces entreprises.

Les réparations de matériel homologué doivent être effectuées par un centre d'entretien canadien autorisé désigné par la fournisseur. La compagnie de télécommunications peut demander à l'utilisateur de débrancher un appareil suite à des réparations ou à des modifications effectuées par l'utilisateur ou en raison d'un mauvais fonctionnement.

Veuillez contacter Apple pour des informations supplémentaires:

Apple Canada, Inc.
7495 Birchmount Road
Markham, Ontario
Canada L3R 5G2

Service à la clientèle d'Apple Canada : 800-263-3394

Avertissement : Pour sa propre protection, l'utilisateur doit s'assurer que tout les fils de mise à la terre du secteur, des lignes téléphoniques et les canalisations d'eau métalliques, s'il y en a, soient raccordés ensemble. Cette précaution est particulièrement importante dans les régions rurales.

L'utilisateur ne doit pas tenter de faire ces raccordements lui-même; il doit avoir recours à un service d'inspection des installations électriques ou à un électricien, selon le cas.

- *Numéro de charge :* 0.2 L'indice de charge (IC) assigné à chaque dispositif terminal indique, pour éviter toute surcharge, le pourcentage de la charge totale qui sera raccordée à un circuit téléphonique bouclé utilisé par ce dispositif. La terminaison du circuit bouclé peut être constituée de n'importe quelle combinaison de dispositifs pourvu que la somme des indices de charge de l'ensemble des dispositifs ne dépasse pas 100.
- *Type de prise téléphonique :* CA-11

Information You Need in the United Kingdom

This terminal equipment is intended for direct connection to the analogue Public Switched Telecommunications Network and is approved for use within the United Kingdom with the following features:

- Modem facility
- Autocalling facility
- Autoanswer facility
- DTMF signaling

Operation in the absence of proceed indication or upon detection of proceed indication

This product is in conformity with relevant regulatory standards following the provisions of European Council Directives 73/23/EEC (Low Voltage Directive) and 89/336/EEC amended by 92/31/EEC (EMC Directive).

Informationen für Deutschland

Diese Modem-Karte ist als Endeinrichtung vorgesehen und muss an ein TAE mit F-Kodierung angeschlossen werden. Diese Endeinrichtung ist in Konformität gemäss Niederspannungsrichtlinie 73 / 23 / EWG sowie EMC-Richtlinien 89 / 336 / EWG und 92 / 31 / EWG.

Informations pour la France

Ce matériel est conforme aux normes applicables de sécurité électrique d'après la directive 73 / 23 / CEE et aux normes applicables de comptabilité électromagnétique d'après la directive 89 / 336 / CEE, modifié par la directive 92 / 31 / CEE.

Information You Need in Australia

All telecommunications devices are required to be labelled as complying to the Australian telecommunications standards, ensuring the health and safety of the operator and the integrity of the Australian telecommunications network. To provide compliance with the Australian Communications Authority's technical standards, please ensure that the following AT commands are maintained:

- ATB0 (ITU/CCITT operation)
- AT&G0 (no guard tone)
- AT&P1 (33/66 pulse dial make/break ratio)
- ATSO = 0 or ATSO = 1 (no answer or answer greater than one ring)
- ATS6 = 95 (DTMF period between 70–255 ms)
- ATS11 = 95 (DTMF period between 70–255 ms)

For calls that are automatically generated, a total of three call attempts are allowed to a telephone number, with a minimum period between calls of 2 seconds. If the call does not connect after three attempts, 30 minutes must expire before automatic redialing may be initiated. Failure to set the modem (and any associated communications software) to the above settings may result in the modem being non-compliant with Australian telecommunications standards. Under these circumstances a user could be subject to significant penalties under the Telecommunications Act 1997.

This modem must be properly secured in order for you to use it. Telecommunications network voltages exist inside the computer and the telecommunications line connection must be removed before opening the computer.

Information You Need in New Zealand

This modem is fully approved to operate on the New Zealand telecommunications network under Telepermit number PTC 211/04/002 (part numbers M9455 and M9457) and PTC 211/01/062 (part number M9454). All telecommunications devices are required to hold a Telepermit and be labelled

accordingly with the approved Telepermit number to comply with the New Zealand telecommunications standards, ensuring the health and safety of the operator and the integrity of the New Zealand telecommunications network. To ensure compliance, all calls that are automatically generated should not make more than 10 call attempts to the same number within any 30 minute period with a minimum period between calls of 30 seconds. Failure to adhere to these standards may result in the modem being non-compliant with New Zealand Telecom standards. Under these circumstances a user could be subject to significant penalties.

Important: The grant of a Telepermit for any item of terminal equipment indicates that only Telecom has accepted that the item complies with minimum conditions for connection to its network. It indicates no endorsement of the product by Telecom, nor does it provide any sort of warranty. Above all, it provides no assurance that any item will work correctly in all respects with another item of Telepermitted equipment of a different make or model, nor does it imply that any product is compatible with all of Telecom's network services.

A

- adapter
 - DVI to ADC 7
 - DVI to Composite 7
 - DVI to VGA 7
- ADC 7
 - port 17
- AGP 8X Pro graphics 19
- AGP card 62
- air deflector 45
- AirPort Extreme 80
 - antenna 17, 67
 - base station 37
 - card 19, 36
 - card installation 66
 - connection 92
 - connector 19
 - setting up 100
 - setting up a connection 91
- analog audio 30, 81
 - line-in 17, 81
 - line-out 17, 81

B

- battery 19
- Bluetooth 30, 39, 79
- Bluetooth antenna 17

C

- cable modem 94
 - setting up 91
- Cat 5 34
- CD-RW 78
- Combo drive 15
- Computer disposal 106
- computer won't turn on 70
- connecting
 - TV 24
 - VCR 24
 - video device 24

D

- DDR SDRAM 19, 47
- DHCP 92
 - configuration 97
- dial-up
 - connection 92
 - modem 92
- dialup connection 89
- dimensions 82
- DIMMs 47
- discharge static 42
- display 10, 77
 - extended desktop 23
 - mirroring 23
 - multiple 23
- DSL 92, 94
 - modem 91
- DVD 33, 78
- DVI 7
- DVI port 17
- Dynamic Host Configuration Protocol (DHCP) 94

E

- eject disc 32
- ergonomic information 86
- Ethernet 17, 34, 75, 79

F

- FireWire 15, 17, 27, 79
- FireWire Target Disk Mode 28
- Force Quit 73
- front fan assembly 46

G

- general maintenance 85

H

- Hard disk drive 19
- headphone jack 15, 30, 81

I

- iDVD 33

- installing
 - AGP card 62
 - AirPort Extreme Card 66
 - applications 74, 75
 - battery 67
 - Classic support 74, 75
 - Mac OS 9 74, 75
 - Mac OS X 74, 75
 - memory 47
 - PCI/PCI-X cards 64
 - Serial ATA drives 55
 - SuperDrive 58
- Internet
 - configuration 94
 - connecting to 11
 - connection
 - using Setup Assistant 100
- Internet service provider 89
- ISP 89
- iTunes 33

K

- keyboard 22
- keyboard extender cable 9

L

- LAN 94
 - connection 91, 92
- latch 17, 53
- liquid cooling system 84

M

- maintenance 85
- manual Internet configuration 96
- manually using DHCP router option 91
- Material Safety Data Sheet 85
- modem 17, 34, 79
 - cable 89
 - DSL 89
- mouse 23
- multiple displays 23

N

- Network connections 104
- Network Setup Assistant 89
- no image on screen 72

O

- operating environment 82
- optical digital audio 17, 29, 80
- optical drive 15, 19, 32, 54

P

- PCI slots 17, 19
- Point-to-Point Protocol 92, 94, 98

- power button 9, 15
- power cord 6
- power socket 17
- PPPoE 92
 - configuration 98
 - connections 92, 103
- problems
 - Internet connection 103
 - PPPoE connections 103
- processor 77
- protective film 6

R

- reset the PRAM 70
- ribbon cable 58

S

- safety 83
- safety information 83
- screen freezes 73
- SDRAM 77
- Serial ATA drive 54
- serial number 75
- setting up 91
 - to connect manually 92
- shut down 13, 42
- shut off power 5
- sleep 12, 15, 38
- Software Install and Restore disc 74
- static IP address 96
- status light 15, 70
- SuperDrive 15, 33

T

- telephone dial-up connection 91
- testing your Internet configuration 94
- troubleshooting
 - your connection 103

U

- unable to eject a disc 70
- USB 9, 15, 17, 25, 79, 82
- using DHCP option 91