

Joolz Day⁵

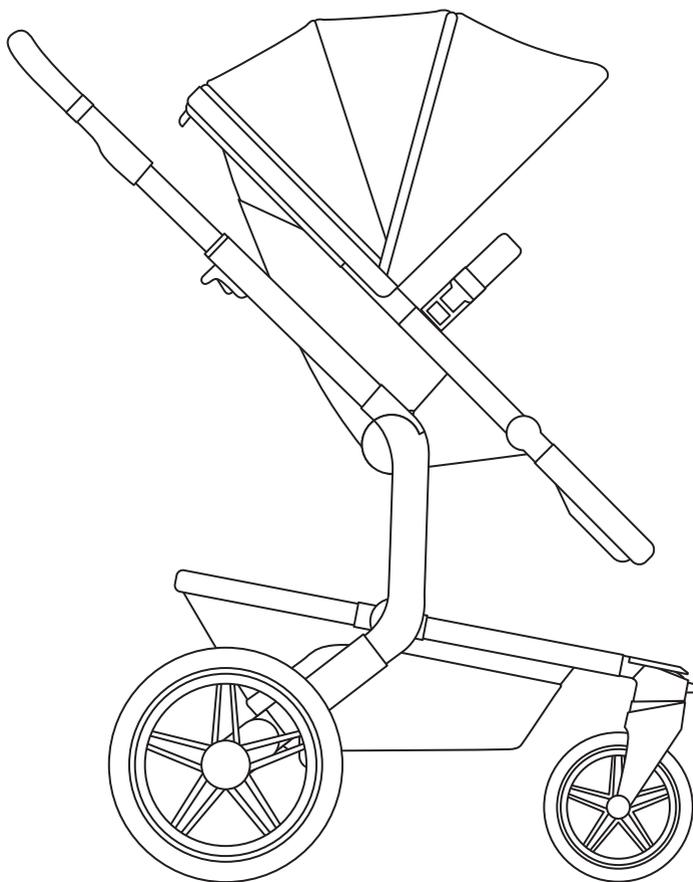


10-Year transferable
warranty



One stroller,
one tree

Instruction manual



Designed in The Netherlands

[joolz.com](https://www.joolz.com)

Hello New World

JOO LZ

Brand of:
Milk Design BV

Joolz HQ
Distelweg 89
1031 HD Amsterdam
The Netherlands
info@joolz.com
+31 206 304 887

Joolz USA Inc.
PO Box 4530
New York
NY 10163-4530
info.us@joolz.com
+1 (347) 252-4556

joolz.com
facebook.com/myJoolz



10-Year transferable
warranty



One stroller,
one tree

en	Instruction manual	uk	Інструкція з експлуатації
de	Gebrauchsanweisung	ee	Kasutusjuhend
nl	Gebruiksaanwijzing	lv	Lietošanas instrukcija
fr	Manuel d'instructions	lt	Instrukcijų vadovas
es	Manual de instrucciones	sl	Navodila za uporabo
pt	Manual de instruções	hr	Priručnik za upotrebu
it	Manuale di istruzioni	cs	Návod k použití
sv	Bruksanvisning	bg	Инструкция
no	Bruksanvisning	ro	Manual de instrucțiuni
fi	Käyttöopas	sr	Priručnik za upotrebu
da	Instruktioner	hu	Használati útmutató
ru	Инструкция по эксплуатации	sk	Návod na použitie
pl	Instrukcja obsługi	gr	Οδηγίες χρήσης

JOOLZ

IMPORTANT: Read carefully and keep for future reference.

WICHTIG: Bitte sorgfältig lesen und für späteres Nachlesen unbedingt aufbewahren.

BELANGRIJK: Lees zorgvuldig en bewaar voor latere raadpleging.

IMPORTANT: A lire attentivement et à conserver pour référence ultérieure.

IMPORTANTE: Leer detenidamente y mantenerlas para futuras consultas.

IMPORTANTE: Leia cuidadosamente e guarde para referência futura.

IMPORTANTE: Leggere attentamente e conservare per futuro riferimento.

VIKTIG: Läs noggrant och spara för framtida bruk.

VIKTIG: Les nøye og oppbevar for fremtidig bruk.

TÄRKEÄÄ: Lue huolellisesti ja säilytä vastaisuuden varalle.

VIGTIGT: Læs omhyggeligt og gem til senere brug.

ВАЖНО: Внимательно прочитайте данную инструкцию перед использованием изделия, и сохраните ее для дальнейшего использования.

WAŻNE! Przeczytaj uważnie i zachowaj na przyszłość jako odniesienie.

ВАЖНО: Внимательно прочитайте данную инструкцию перед использованием изделия, и сохраните ее для дальнейшего использования.

TÄHTIS!: Lugege hoolikalt ja hoidke alles edaspidiseks kasutamiseks.

SVARĪGI!: Pirms lietošanas uzmanīgi izlasiet šo instrukciju, un vēlāk to turiet pa rokai, lai būtu kur ieskatīties.

SVARBU: Atidžiai perskaitykite ir saugokite, kad vėliau galėtumėte pasiskaityti.

POMEMBNO: Pred uporabo pozorno preberite navodila in jih shranite kot napotek za v prihodnje.

VAŽNO: Pažljivo pročitajte ove upute prije upotrebe i sačuvajte ih za ubuduće.

DŮLEŽITÉ!: Pokyny si pozorně přečtěte a uschovejte pro pozdější použití.

ВАЖНО!: Прочетете внимателно и запазете за бъдещи справки.

IMPORTANT: citiți cu atenție și păstrați acest document pentru consultare ulterioară.

VAŽNO: pažljivo pročitajte ova uputstva pre korišćenja i sačuvajte ih za kasnije.

FONTOS: Figyelmesen olvassa el és őrizze meg későbbi felhasználás esetére.

DŮLEŽITÉ: Pred použitím prečítajte pozorne tento návod a uschovajte ho pre budúcu potrebu.

ΣΗΜΑΝΤΙΚΟ: Διαβάτε προσεκτικά τις οδηγίες και φυλάξτε τες γιατί μπορεί να τις χρειαστείτε στο μέλλον.

Index

Introduction Einleitung - Introduction	12	How to fold with the cot & the large basket Zusammenklappen mit Wanne und großem Korb - Comment plier la poussette avec la nacelle et le grand panier	28
What's in the box? Was ist im Karton? - Dans la boîte?	15	How to fold with the seat & the large basket Zusammenklappen mit Sitz und großem Korb - Comment plier la poussette avec le hamac et le grand panier	30
Get me ready Vorbereitung - Préparons-nous!	16	Warnings Warnhinweise - Avertissements	32
Assembling the seat Zusammenbau Sitz - Montage du hamac	18	Maintenance Pflege - Antretien	34
How to use the cot Wie nutze ich die Wanne - Comment utiliser la nacelle	22	Warranty Garantie - Garantie	120
How to use the seat Wie nutze ich den Sitz - Comment utiliser le hamac	24		
How to use the restraint system Wie nutze ich den Sicherheitsgurt - Comment utiliser le système de sécurité	26		
How to use the buckle Benutzung der Schnalle - Comment utiliser la boucle d'attache	26		
How to use the brake Nutzungshinweise Bremse - Comment utiliser le frein	27		



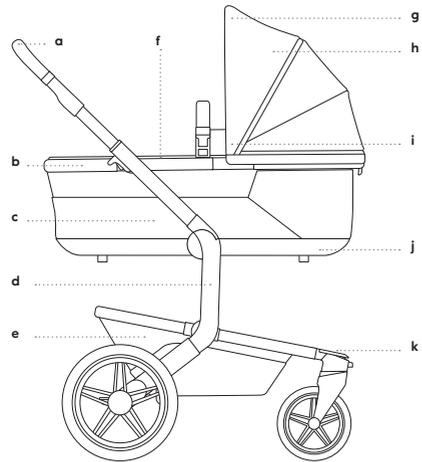
How to movies:
www.youtube.com/JoolzHQ

Introduction

Einleitung - introduction



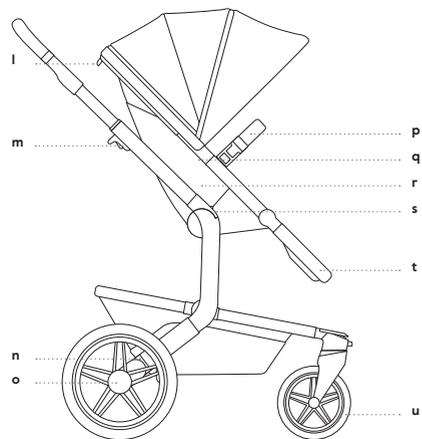
45- 75 cm/17.7-29.5 in



- a Handlebar** - Schiebegriff - Guidon
- b Cot/seat frame** - Wannen-/Sitzrahmen - Cadre de la nacelle/du hamac
- c Cot fabric** - Wannenbekleidung - Habillage de la nacelle
- d Chassis** - Gestell - Châssis
- e Large basket fabric** - Einkaufskorbbezug - Large habillage du panier
- f Cot cover** - Wannenabdeckung - Tablier de la nacelle
- g Sun hood frame** - Sonnenverdeckrahmen - Cadre du pare-soleil
- h Sun hood fabric** - Sonnenverdeck - Habillage du pare-soleil
- i Hood hinge** - Verdeckscharnier - Charnière du pare-soleil
- j Unlock handle**
- k Clip for locking front wheels** - Taste um Vorderräder zu sperren - Clip de blocage des roues avant



67-100 cm/26.4-39.4 in



- l Recline button** - Runde Verstellknöpfe - Bouton de réglage de l'inclinaison
- m Fold lock release button**
- n Brake** - Bremse - Frein
- o Rear wheels** - Hinterräder - Roues arrière
- p Rotatable bumper bar** - Sicherheitsbügel - Arceau de maintien rotatif
- q Restraint system** - Rückhaltesystem - Système de sécurité
- r Detachable seat fabric** - Abnehmbare Sitzbekleidung - Habillage amovible du hamac
- s Unlock button**
- t Rotatable footrest** - verstellbare Fußstütze - Repose-pieds réglable
- u Front wheels** - Schwenkräder - Roues avant

Sizes - Maße - Dimensions

Unfolded - Auseinandergeklappt - Dépliée

88-94 x 60 x 110-113 cm

Folded without seat and wheels

64.5 x 50 x 22 cm

Zusammengeklappt ohne Sitz und Räder - Pliée sans le hamac et les roues

Folded with seat and wheels

83 x 60 x 34 cm

Zusammengeklappt mit Sitz und Rädern - Pliée avec le hamac et les roues

Cot outside - Wanne außen - Extérieur de la nacelle

88 x 41 x 35 cm

Cot mattress size - Matratzengröße Wanne - Taille du matelas de la nacelle

78 x 33 x 3-11 cm

Front wheel - Schwenkräder - Roue avant

7.5 inch

Rear wheel - Hinterräder - Roue arrière

12 inch

Weights - Gewichtsangaben - Poids*

Joolz Day⁵ with seat - Joolz Day⁵ mit Sitz - Joolz Day⁵ avec hamac

12 kg / 26.5 lbs

Chassis incl. basket - Gestell inkl. Korb - Châssis, panier compris

7.9 kg / 17.4 lbs

Chassis without wheels - Gestell ohne Räder - Châssis sans roues

5.6 kg / 12.3 lbs

Seat - Sitz - Siège

4.1 kg / 9 lbs

Cot - Wanne - Nacelle

4.9 / 10.8 lbs

Weight capacity - Kapazität - Capacité*

Joolz Day⁵ with seat - Joolz Day⁵ mit Sitz - Joolz Day⁵ avec hamac

22 kg / 50 lbs max

Joolz Day⁵ with cot - Joolz Day⁵ mit Wanne - Joolz Day⁵ avec nacelle

9 kg / 20 lbs max

Large basket - Großer Korb - Grand panier

10 kg / 22lbs

* For the USA the lbs maximum weight capacity has been tested



One stroller, one tree

Every Joolz on the street is a tree in one of our Birth Forests in Asia, Africa, Europe or South America. When you buy a stroller or buggy your tree joins hundreds of thousands of others in helping to make the world just a little bit greener.



Sustainable materials

More sustainable materials, fabrics, and production processes are always in the works. Every day Joolz is working on new initiatives like our collection of products with fabrics created from recycled plastic bottles, organic cotton, and eco-friendly coatings.



10-Year transferable warranty

We make the best strollers for parents, babies and the planet. That's why our strollers and buggies are designed to last a lifetime. With our 10-Year transferable warranty you contribute to a better world for your child. And, it doesn't end there. When selling or gifting your stroller to a new person, our warranty is transferable. This means that other families can enjoy your stroller too. Every step counts.



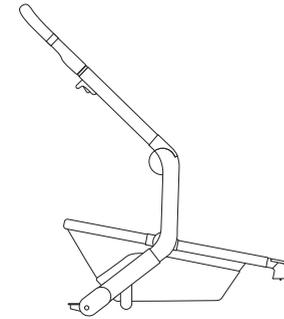
Reusable packaging

Reuse, recycle, and have fun with your Joolz cardboard box. Cut out the cute design printed on the box, and decorate your little one's room.

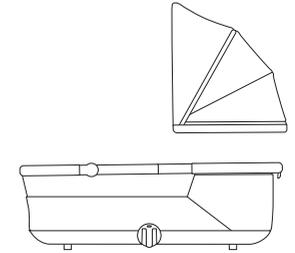
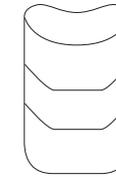
What's in the box?

Was ist im Karton? - Dans la boîte?

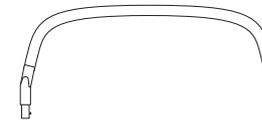
NOTE Cot frame = Seat frame
HINWEIS Wannenrahmen = Sitzrahmen
REMARQUE Cadre de la nacelle = Cadre du hamac



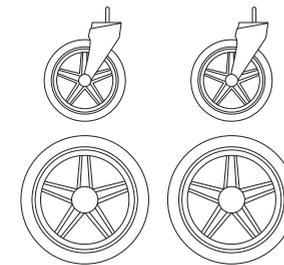
1x Chassis + 1x Large basket
Gestell + Großer Korb
Châssis + Panier



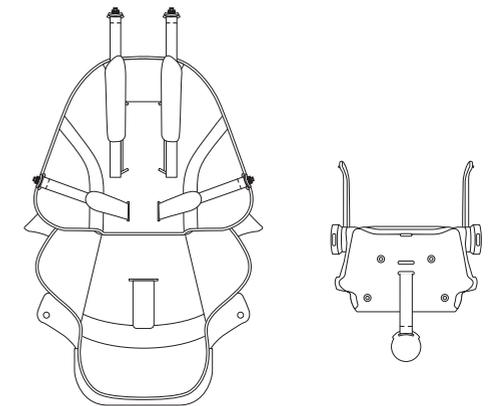
1x Cot/Seat frame + 1x Cot fabric + 1x Mattress + 1x Cot cover + 1x Sun hood
Wannen-/Sitzrahmen + Wannenbekleidung + Matratze + Wannenabdeckung + Sonnenverdeck
Cadre de la nacelle/du hamac + Habillage de la nacelle + Matelas + Tablier de la nacelle + Pare-soleil



1x Rotatable bumper bar
Sicherheitsbügel
Arceau de maintien rotatif



2x Front wheel + 2x Rear wheel
Schwenkräder + Hinterräder
Roue avant + Roue arrière



1x Seat fabric + 1x footrest + 1x seat base + 1x harness buckle
Sitzbezug + Fußstütze + Sitzfläche + Verschluss des Rückhaltesystems
Habillage du hamac + Repose pieds + Base du Hamac + Boucle du harnais

Get me ready

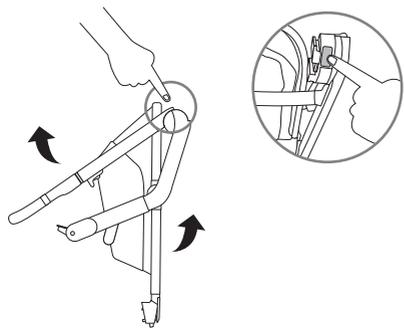
Vorbereitung - Préparons-nous!



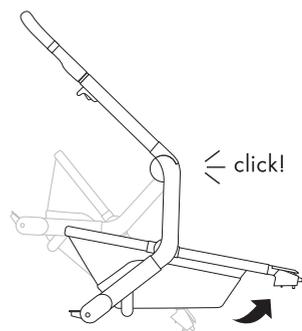
2 min



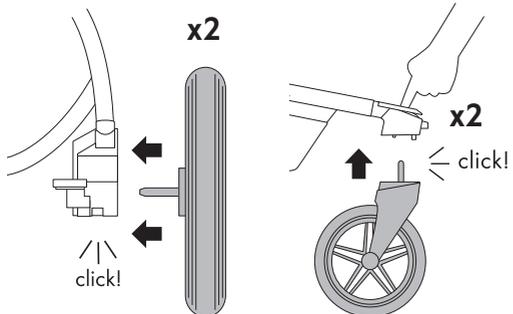
1



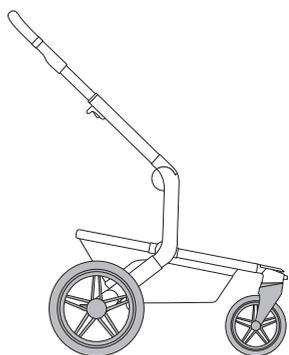
2



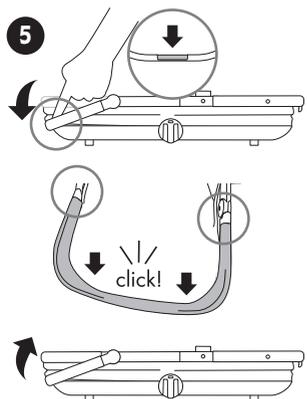
3



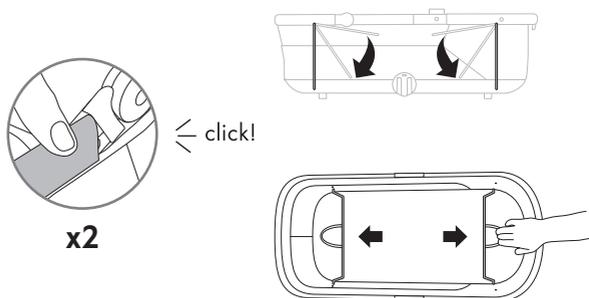
4



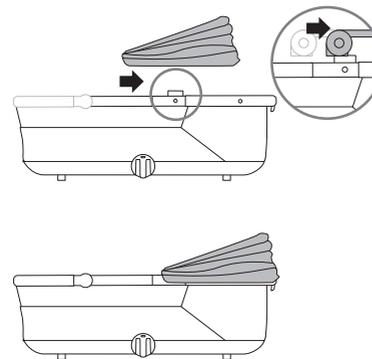
5



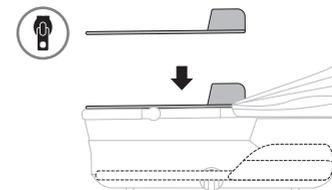
6



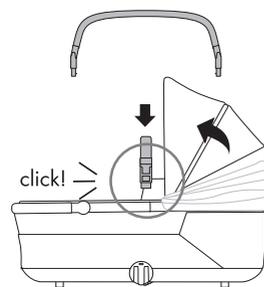
7



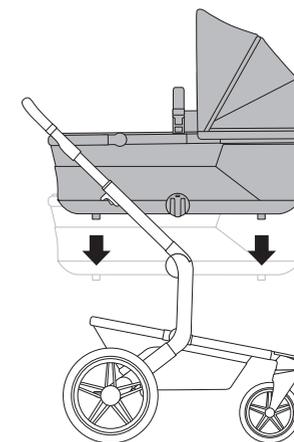
8



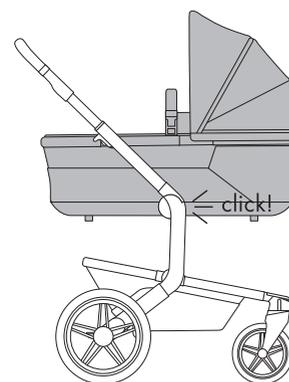
9



10



11



Assembling the seat

Zusammenbau Sitz - Montage du hamac



10 min

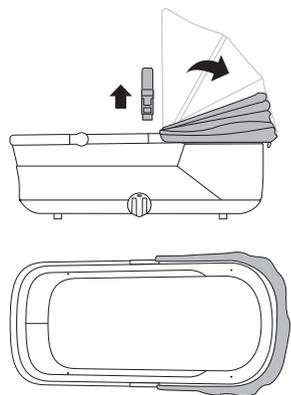
NOTE: Use the frame and sun hood for the seat.

HINWEIS: Nutzen Sie den Rahmen und das Sonnenverdeck für den Sitz.

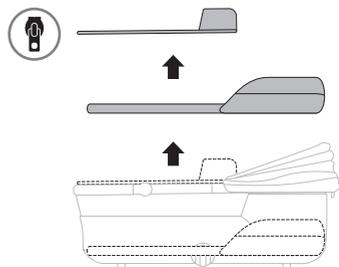
REMARQUE: Utilisez le cadre et le pare-soleil pour le hamac.



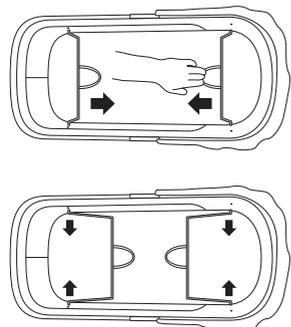
1



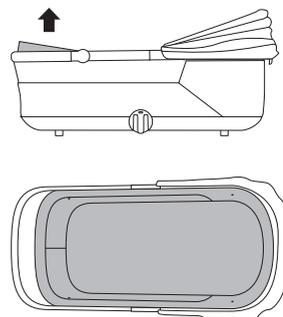
2



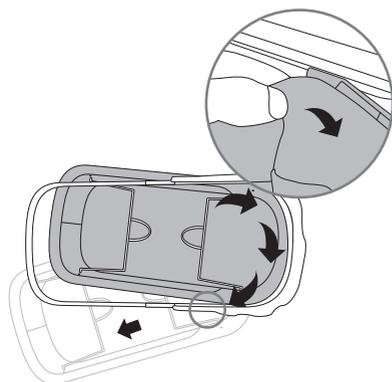
3



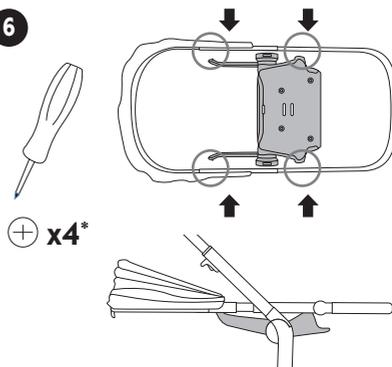
4



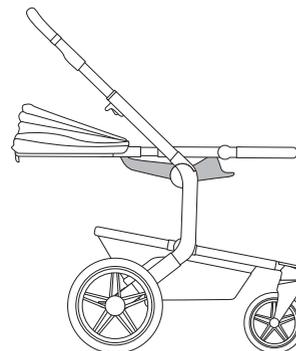
5



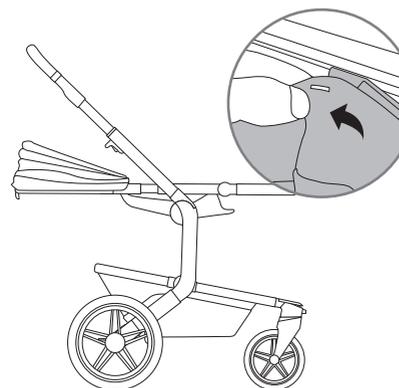
6



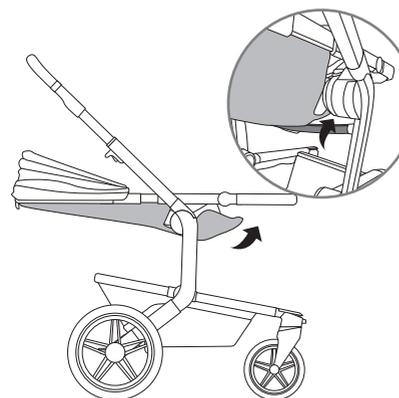
7



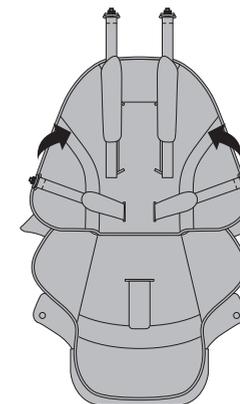
9



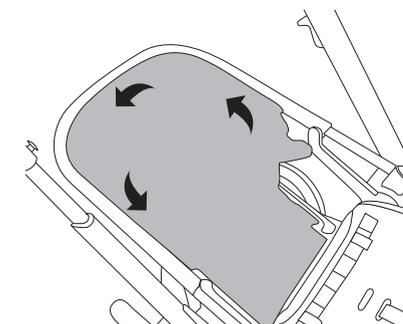
11



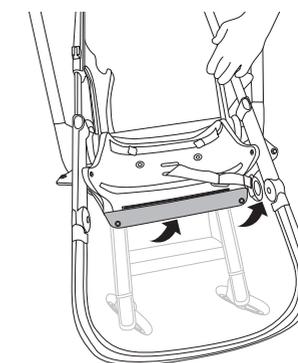
8



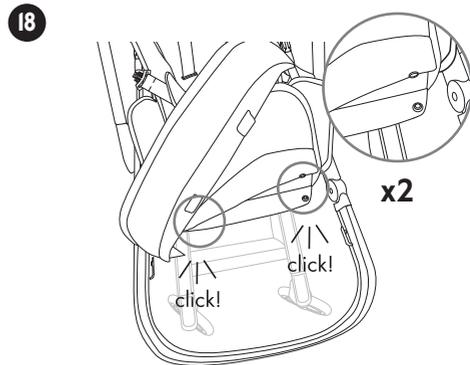
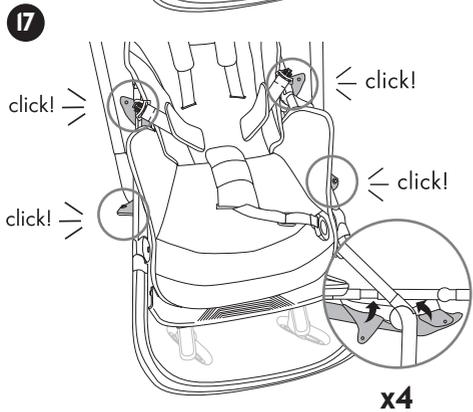
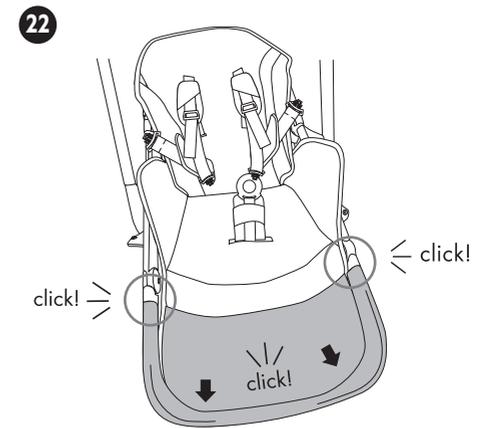
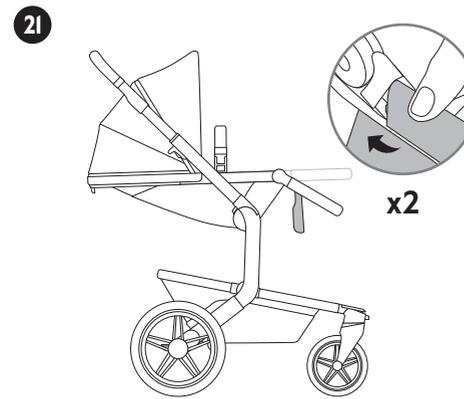
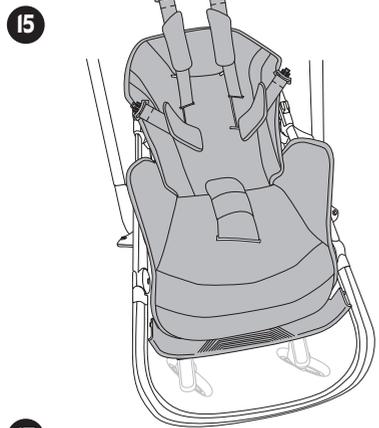
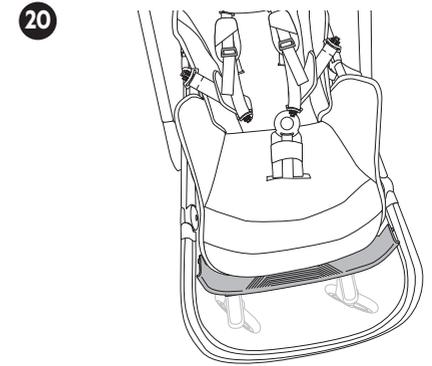
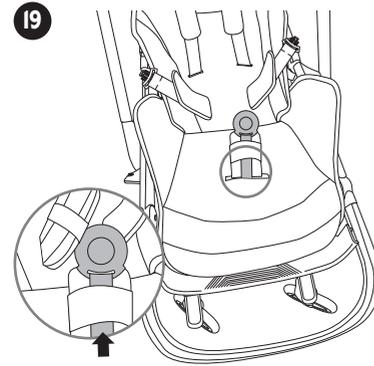
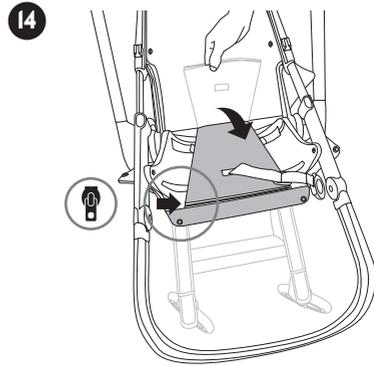
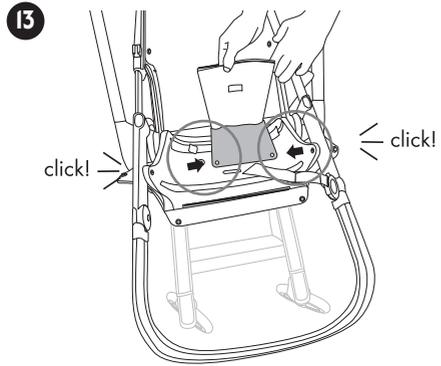
10



12

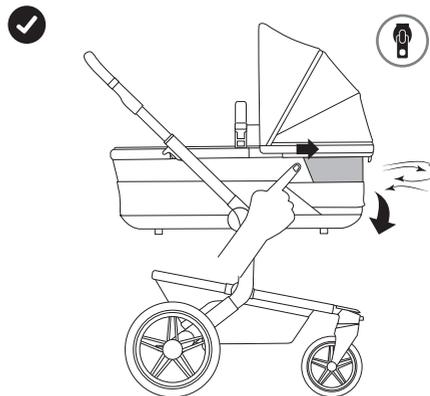
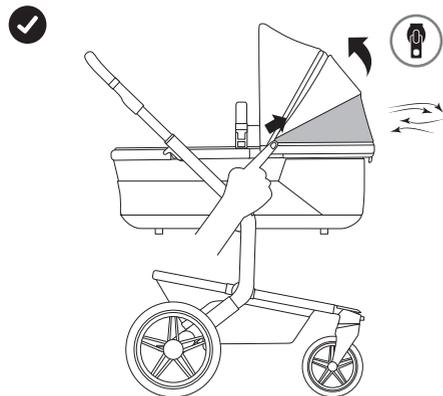
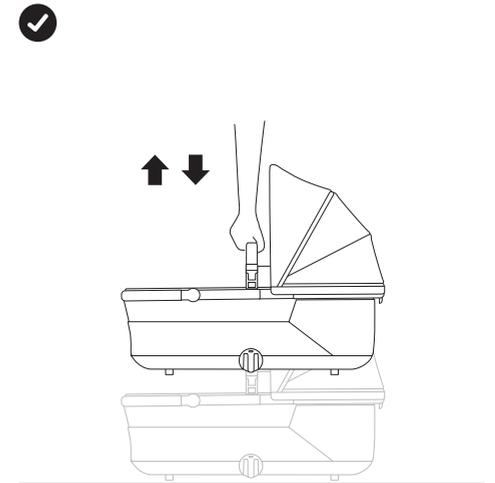
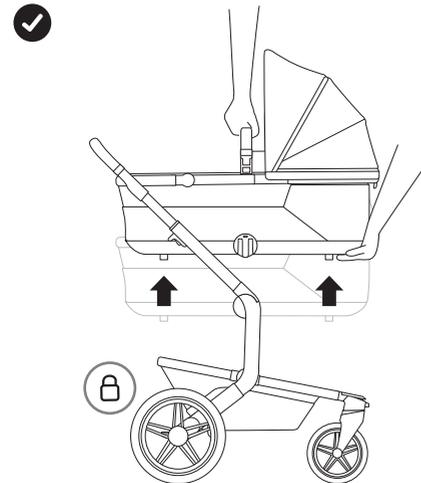
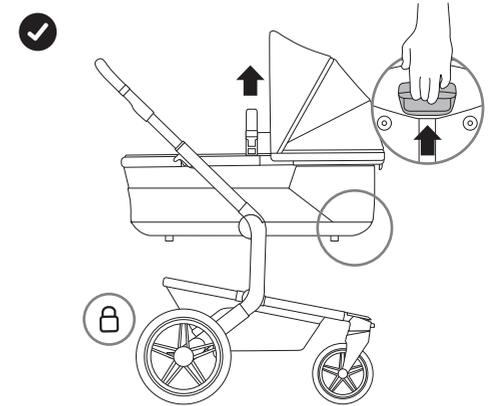
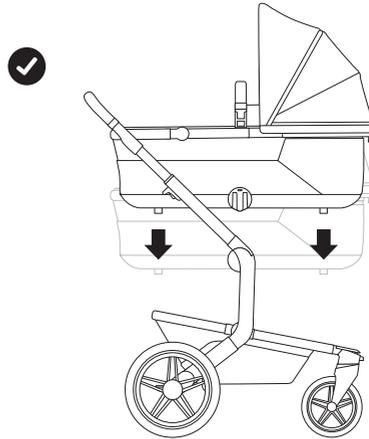
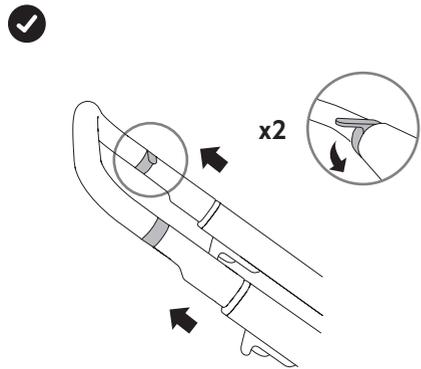


*Screwdriver not included.



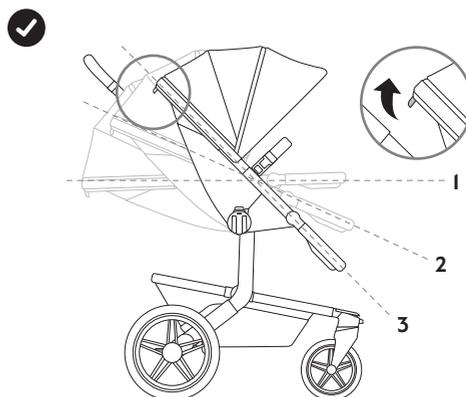
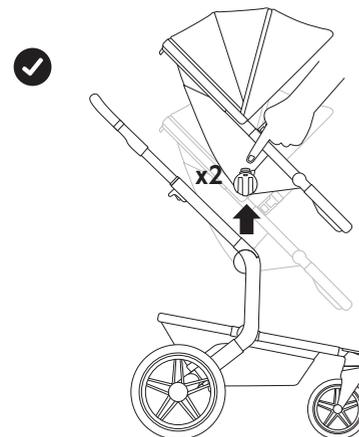
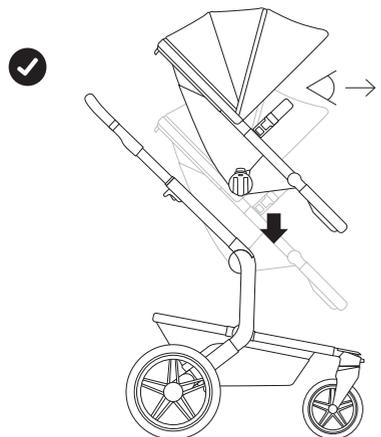
How to use the cot

Wie nutze ich die Wanne - Comment utiliser la nacelle



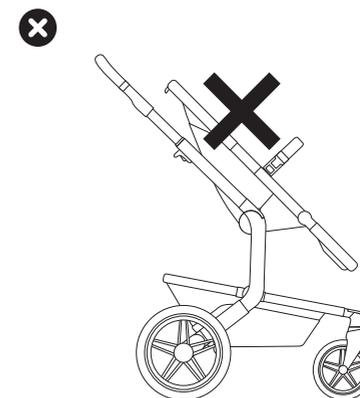
How to use the seat

Wie nutze ich den Sitz - Comment utiliser le hamac



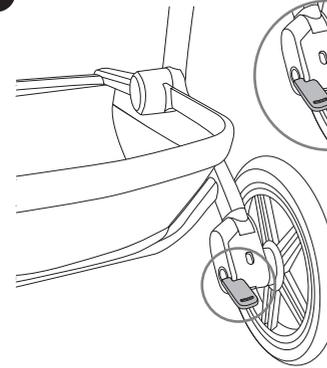
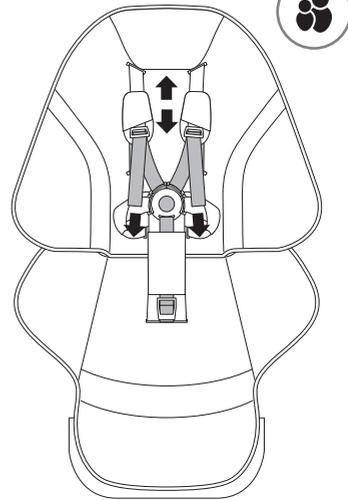
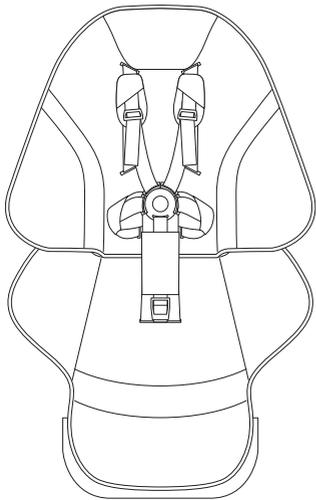
Only for Australia

Nur für Australien - Uniquement pour l'Australie



How to use the restraint system

Wie nutze ich den Sicherheitsgurt - Comment utiliser le système de sécurité

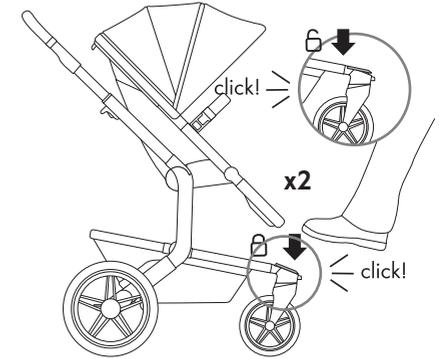


click!
\\
/

6 0

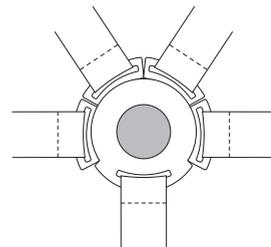
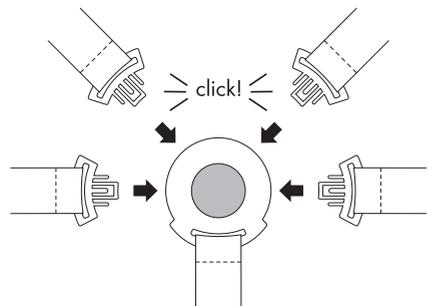
6 ●

/
\\
click!



How to use the buckle

Benutzung der Schnalle - Comment utiliser la boucle d'attache

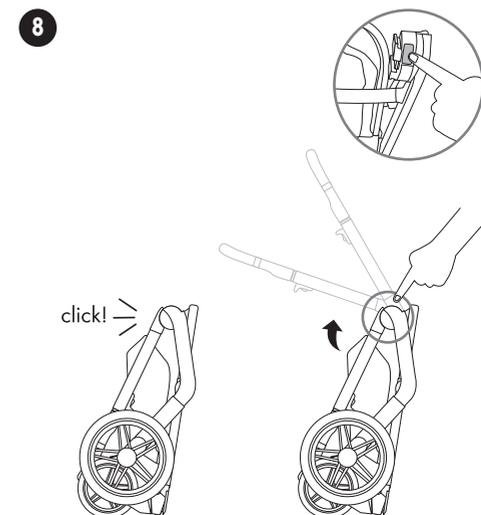
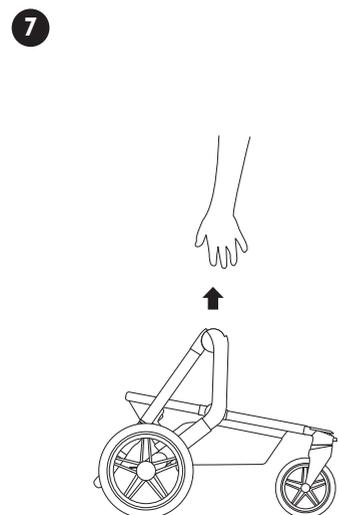
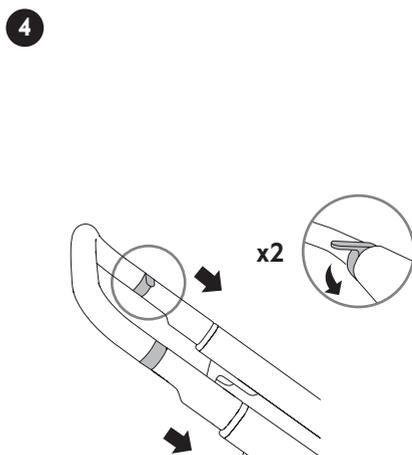
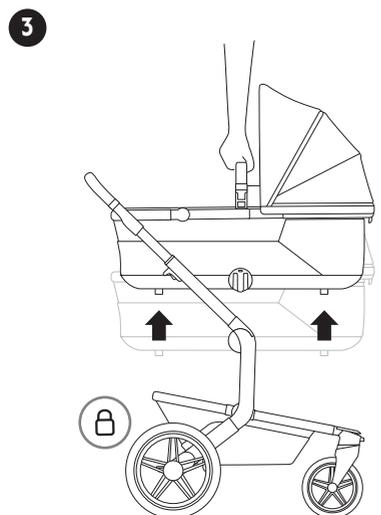
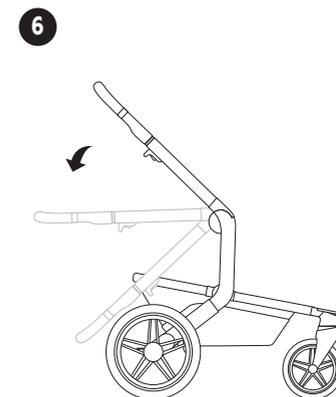
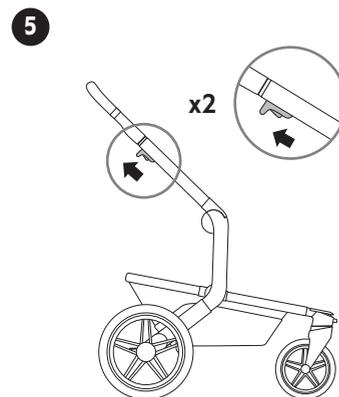
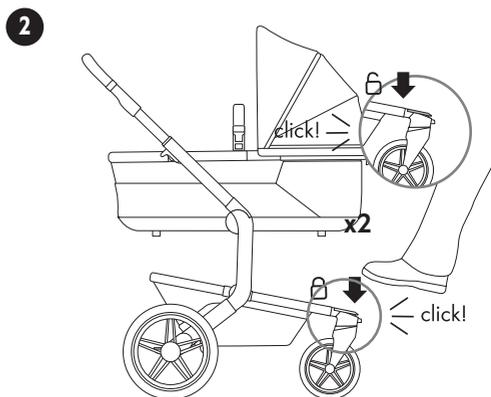
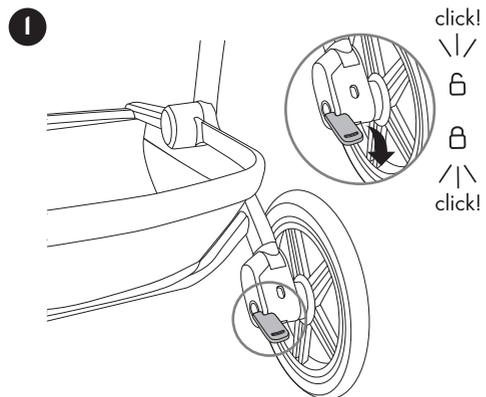


How to use the brake

Nutzungshinweise Bremse - Comment utiliser le frein

How to fold with the cot & the large basket

Zusammenklappen mit Wanne und großem Korb -
Comment plier la poussette avec la nacelle et le grand panier



IMPORTANT: PLEASE READ THESE INSTRUCTIONS CAREFULLY BEFORE USAGE AND KEEP THEM FOR FUTURE REFERENCE. FOLLOW THE MANUFACTURER'S INSTRUCTIONS.

WARNING

GENERAL

- + Never leave the child unattended.
- + Ensure that all the locking devices are engaged before use.
- + To avoid injury, ensure that the child is kept away when unfolding and folding this product.
- + Check that the pram body or seat unit or car seat attachment devices are correctly engaged before use.
- + This product is not suitable for running or skating.
- + The stroller is intended for a child from 6 months until 4 years, or up to a maximum weight of 22 kg with a maximum height of 100 cm. Whichever comes first.
- + The brakes should always be engaged when placing and removing the children.
- + Any load attached to the pushbar and/or on the back of the backrest and/or on the sides of the vehicle will affect the stability of the vehicle.
- + Check the complete product regularly for signs of damage and tear before use.
- + The product can carry only one child at a time.
- + Only use car seats, replacement or spare parts and accessories that are supplied or approved by Joolz. Use of accessories not approved by Joolz is unsafe.
- + The maximum weight of the shopping basket is 10 kg.
- + Make sure that the brake pedal is fully engaged when applying the brake.

- + Always apply the swivel lock on the front wheels when folding the pushchair. Failing to do so can result in obstruction of the tyres, leading to deformation, especially in a hot environment.
- + Risk of strangulation: All assembly fittings should always be tightened properly and care should be taken that no screws are loose, because a child could trap parts of the body or clothing (e.g. strings, necklaces, ribbons for babies' dummies, etc

SEAT - GENERAL

- + Do not let the child play with this product.
- + This seat unit is not suitable for children under 6 months.
- + Always use the restraint system.
- + The seat unit is only compatible with the Joolz Day⁵ chassis.
- + Car seats used in conjunction with a chassis do not replace a cot or a bed. Should your child need to sleep, then it should be placed in a suitable crib, bed or approved sleeping area based on your child's requirements.

COT - GENERAL

- + This product is only suitable for a child who cannot sit up unaided.
- + Do not use the product if any part is broken, torn or missing and use only spare parts approved by the manufacturer.
- + Only use on a firm, horizontal level, flat and dry surface.
- + Do not use more than one mattress in the product. Only use the

- mattress provided by Joolz.
- + Placing additional items in the product may cause suffocation;
- + Do not place the product close to another product, which could present a danger of suffocation or strangulation, e.g. strings, blind/curtain cords, etc.;
- + The cot is only suitable for a child who cannot sit up unaided, roll over and cannot push itself up on its hands and knees. Maximum weight of the child: 9 kg.
- + Maximum mattress thickness: 30 mm.

COT - WHEN USED AS A CARRY COT

- + Do not let other children play unattended near the carry cot.
- + Do not use if any part of the carry cot is damaged, broken, torn or missing.
- + Keep the carry cot/stroller away from open fires and other source of strong heat.
- + Do not use more than one mattress in the product. Only use the mattress provided by Joolz.
- + The handles and the bottom of the carry cot should be inspected regularly for signs of damage and wear.
- + Always ensure that the bumper bar is correctly engaged to the carry cot unit before use.
- + The head of the child in the carry cot should never be lower than the body of the child.
- + Overheating can endanger the life of your child! Take into account the ambient temperature and the child's clothing and ensure that the child is not

- + too cold or too warm.
- + For any recommendations on safe sleeping, please contact a health professional

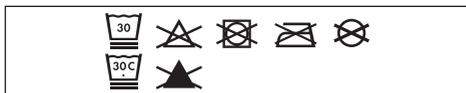
COT - WHEN USED AS A CRIB

- + Do not use this product without reading the instructions for use first
- + Stop using the product as soon as the child can sit or kneel or pull itself up;
- + The product should be placed on a horizontal floor.
- + Do not let other children play unattended near the crib.
- + Ensure that all the locking devices of the crib are engaged before leaving the child unattended.
- + Be aware of the risk of open fire and other sources of strong heat, such as electric bar fires, gas fires, etc. in the near vicinity of the cot.
- + DO NOT use crib if any parts are missing, damaged, or broken. Contact Joolz for replacement parts and instructional literature if needed. DO NOT substitute parts
- + Only use the mattress sold with this crib, do not add a second mattress on this one, suffocation hazards.

MAINTENANCE/WASHING INSTRUCTIONS

The fabrics are detachable and machine washable. Never use bleach or other chemical detergents.

Periodically (approximately once a month) treat the wheels and metal parts with Teflon or silicon spray to ensure the pushchair continues to run smoothly.



The aluminium parts of your Day⁵ pushchair are coated to protect it from external influences such as corrosion. Coated aluminium parts are vulnerable to acidic cleaners or grease, which can cause stains and discoloration of the aluminium parts. We therefore advise you to clean the aluminium parts of your pushchair with warm water and a soft cloth.

Safety was an important consideration throughout the development of the Joolz Day⁵ pushchair and cot. Our products therefore meet the following safety standards:

Europe:
EN 1888-2:2018+AI:2022, EN 1466:2023,
EN1130-2019 & EN16890:2017+AI:2021

United States:
ASTM F833-21 & ASTM F2050-19
Canada: SOR/2023-101
Australia: AS 2088: 2022

Please visit joolz.com, [facebook.com/myjoolz](https://www.facebook.com/myjoolz) or contact your retailer for any questions and/or comments.

USA

IMPORTANT: PLEASE READ THESE INSTRUCTIONS CAREFULLY BEFORE USAGE AND KEEP THEM FOR FUTURE REFERENCE. FOLLOW THE MANUFACTURER'S INSTRUCTIONS.

⚠️ WARNING

- + For USA the cot/pram body/ carriage is tested for a maximum weight of 20 lbs and maximum height of 30 inch.
- + For USA the seat unit is tested for a maximum weight of 50 lbs and maximum height of 42.5 inch.
- + Never leave the child unattended.
- + Avoid serious injury from falling or sliding out. Always use the restraint system.
- + Parcels or accessory items, or both, placed on the unit may cause the unit to become unstable. Excessive weight may cause a hazardous unstable condition.
- + The maximum weight of the shopping basket is 22 lbs.
- + The maximum weight of the backrest pocket is 4,5 lbs.
- + Check that the cot/pram body/ carriage, seat unit or car seat attachment devices are correctly engaged before use.
- + To avoid injury or death: always apply the brakes whenever the stroller is stationary.
- + Always apply the swivel lock on the front wheels when folding the pushchair. Failing to do so can result in obstruction of the tyres, leading to deformation, especially in a hot environment.

SUFFOCATION HAZARD:

Infant carrier can roll over on soft surfaces and suffocate child. NEVER place carrier on beds, sofas, or other soft surfaces.

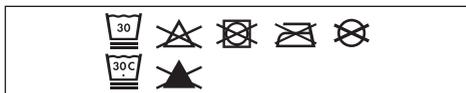
FALL HAZARD:

Child's activity can move carrier. NEVER place carrier on counter tops, tables, or other elevated surfaces. NEVER use this carrier as a means to transport an infant in a motor vehicle. NEVER use this carrier as a means to transport an infant in a motor vehicle. Do not use if any part of the stroller/ bassinet is broken, torn or missing.

MAINTENANCE/WASHING INSTRUCTIONS

The fabrics are detachable and machine washable. Never use bleach or other chemical detergents.

Periodically (approximately once a month) treat the wheels and metal parts with Teflon or silicon spray to ensure the pushchair continues to run smoothly.



The aluminium parts of your Day⁵ pushchair are coated to protect it from external influences such as corrosion. Coated aluminium parts are vulnerable to acidic cleaners or grease, which can cause stains and discoloration of the aluminium parts. We therefore advise you to clean the aluminium parts of your pushchair with warm water and a soft cloth.

Safety was an important consideration throughout the development of the Joolz Day⁵ pushchair and cot. Our products therefore meet the following safety standards:

Europe:
EN 1888-2:2018+AI:2022, EN 1466:2023,
EN1130-2019 & EN16890:2017+AI:2021
United States:
ASTM F833-21 & ASTM F2050-19
Canada: SOR/2023-101
Australia: AS 2088: 2022

Please visit joolz.com, [facebook.com/myjoolz](https://www.facebook.com/myjoolz) or contact your retailer for any questions and/or comments.

AUSTRALIA

IMPORTANT: PLEASE READ THESE INSTRUCTIONS CAREFULLY BEFORE USAGE AND KEEP THEM FOR FUTURE REFERENCE. FOLLOW THE MANUFACTURER'S INSTRUCTIONS.

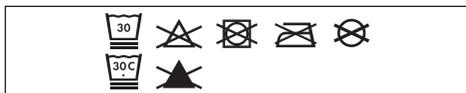
⚠ WARNING

- + Follow the manufacturer's instructions.
- + Put on all the brakes whenever you park the stroller.
- + Do not leave children unattended.
- + Do not carry extra children or bags on this stroller.
- + Make sure children are clear of any moving parts if you adjust the stroller, otherwise they may be injured.
- + Use this harness at all times.
- + Use the tether strap to stop the stroller rolling away.
- + Not suitable for use in stroller mode for a child under 10 months old or who cannot sit unaided or without support.
- + Never leave a harness buckled when not fitted to a child in the stroller because the harness can form loops which may pose a strangulation hazard.
- + The vehicle is not to be used as an unsupervised sleeping environment.
- + In stroller mode the product is intended for a child from 10 months, up to maximum weight of 22 kg.
- + Maximum weight for the cot: 9 kg
- + The maximum weight of the shopping basket is 10 kg.
- + The maximum weight of the backrest pocket is 2 kg.
- + When using a toddler platform ensure the weight of the child on the platform is max 20kg.
- + The vehicle is designed for use on flat or gently sloping surfaces and may be unstable on higher sloping and uneven surfaces, resulting in the possibility of the vehicle tipping over.
- + Regularly inspect the stroller, chassis and accessories regularly for signs of damage and tear.
- + Keep the stroller away from open fires, exposed flames and other sources of heat.
- + Ensure that all the locking devices are engaged before use.
- + When the stroller is folded ensure that the auto folding lock is engaged before lifting or carrying the stroller.
- + Only use car seats, replacement or spare parts and accessories that are supplied or approved by Joolz. Use of accessories not approved by Joolz is unsafe.
- + Care should be taken if the pram is used on stairs or escalators.
- + Always apply the swivel lock on the front wheels when folding the pushchair. Failing to do so can result in obstruction of the tyres, leading to deformation, especially in a hot environment.
- + This canopy can be used as a head barrier and the canopy shall always be securely fastened in position with buttons.
- + The canopy shall always be used.

MAINTENANCE/WASHING INSTRUCTIONS

The fabrics are detachable and machine washable. Never use bleach or other chemical detergents.

Periodically (approximately once a month) treat the wheels and metal parts with Teflon or silicon spray to ensure the pushchair continues to run smoothly.



The aluminium parts of your Day⁵ pushchair are coated to protect it from external influences such as corrosion. Coated aluminium parts are vulnerable to acidic cleaners or grease, which can cause stains and discoloration of the aluminium parts. We therefore advise you to clean the aluminium parts of your pushchair with warm water and a soft cloth.

WARRANTY

Our goods come with guarantees that cannot be excluded under the Australian Consumer Law. You are entitled to a replacement or refund for a major failure and for compensation for any other reasonably foreseeable loss or damage.

You are also entitled to have the goods repaired or replaced if the goods fail to be of acceptable quality and the failure does not amount to a major failure. See page 95 for further information.

Safety was an important consideration throughout the development of the Joolz Day⁵. Our products therefore meet the following safety standards:

Europe:
EN 1888-2:2018+AI:2022, EN 1466:2023,
EN1130-2019 & EN16890:2017+AI:2021
United States:
ASTM F833-21 & ASTM F2050-19
Canada: SOR/2023-101
Australia: AS 2088: 2022

Please visit joolz.com, facebook.com/myjoolz or contact your retailer for any questions and/or comments.

WICHTIG: DIESE BEDIENUNGSANLEITUNG SORGFÄLTIG LESEN UND FÜR SPÄTERES NACHSCHLAGEN AUFBEWAHREN. ANWEISUNGEN DES HERSTELLERS BEFOLGEN.

⚠️ **WARNUNG**

ALLGEMEIN

- + Lassen Sie das Kind niemals unbeaufsichtigt.
- + Stellen Sie vor der Verwendung sicher, dass alle Verriegelungen eingerastet sind.
- + Halten Sie Ihr Kind/Kinder beim Einstellen, Auseinander- oder Zusammenklappen dieses Produktes fern, um Verletzungen zu vermeiden.
- + Vor der Verwendung das ordnungsgemäße Einrasten der Befestigung von Babyschale, Sitzeinheit oder Kindersitz prüfen.
- + Dieses Produkt ist nicht zum Joggen oder Skaten geeignet.
- + Der Sitz ist für Kinder von 6 Monaten bis 4 Jahren geeignet, oder aber bis zu einem maximalen Gewicht von 22 kg und einer maximalen Höhe von 100 cm. Je nachdem, was zuerst eintritt.
- + Wenn ein Kind hineingesetzt oder herausgenommen wird, sollten die Bremsen immer angezogen sein.
- + Jegliche Last am Schiebebügel und/oder der Rückseite der Rückenlehne und/oder an den Seiten des Wagens beeinträchtigt seine Stabilität.
- + Rahmen von Kinderwagen, Wanne, Sitzeinheit und Zubehör regelmäßig auf Schäden und Verschleiß prüfen.
- + Babyschale oder Sitzeinheit wurden für den Transport von nur einem Kind konzipiert.
- + Verwenden Sie ausschließlich Sitze, Autositze, Ersatzteile und Zubehör, die von Joolz bereitgestellt und werden.
- + Der Einkaufskorb hat eine maximale Tragkraft von 10 kg.

- + Achten Sie darauf, dass das Bremspedal vollkommen eingerastet ist, wenn Sie die Bremse betätigen.
- + Aktivieren Sie vor dem Zusammenklappen des Kinderwagens immer den Lenkstopp an den Vorderrädern, andernfalls können die Reifen verformt werden, insbesondere in warmen Umgebungen.
- + Strangulationsgefahr: Alle Montageteile müssen grundsätzlich sicher befestigt sein, und es ist darauf zu achten, dass keine Schrauben locker sind, da die Körperteile oder die Kleidung des Kindes (z. B. Schnüre, Halsketten, Schnullerbänder usw.) eingeklemmt werden können.

SITZ - ALLGEMEIN

- + Lassen Sie das Kind/die Kinder nicht mit diesem Produkt spielen.
- + Diese Sitzeinheit ist nicht für Kinder unter 6 Monaten geeignet.
- + Vermeiden Sie schwere Verletzungen durch Herausfallen oder -rutschen. Verwenden Sie immer das Rückhaltesystem.
- + Die Joolz Day⁵ Sitzeinheit sind nur mit dem Joolz Day⁵-Rahmen kompatibel.
- + Autositze, die in Kombination mit einem Gestell verwendet werden, können eine Wiege oder ein Bett nicht ersetzen. Wenn Ihr Kind schlafen muss, sollten Sie es entsprechend seinen Bedürfnissen in eine geeignete Wiege, ein geeignetes Bett oder einen zulässigen Schlafbereich legen.

WANNE - ALLGEMEIN

- + Dieses Produkt ist nur für Kinder geeignet, die nicht ohne Hilfe aufrecht sitzen können.
- + Verwenden Sie das Produkt nicht, wenn ein Teil gebrochen, zerrissen oder fehlend ist, und verwenden Sie nur vom Hersteller zugelassene Ersatzteile.
- + Nur auf einer festen, waagerechten und trockenen Fläche verwenden.
- + Nur die von Joolz bereitgestellte Matratze verwenden. Keine zusätzlichen Matratzen auf die von Joolz bereitgestellte Matratze legen.
- + Das Anordnen zusätzlicher Gegenstände im Produkt birgt Erstickungsgefahren
- + Das Produkt nicht in der Nähe eines anderen Produktes aufstellen, das Erstickungs- oder Strangulationsgefahren bergen kann, wie z. B. Schnüre, Kordeln von Jalousien oder Vorhängen usw.
- + Die Joolz Day⁵ Wanne ist nur für Kinder geeignet, die nicht ohne Hilfe aufrecht sitzen, sich herumdrehen oder sich mit den Händen und Knien hochdrücken können. Höchstgewicht des Kindes: 9 kg.
- + Maximale Matratzendicke: 30 mm.

WANNA - BEI VERWENDUNG ALS BABYWANNE

- + Keine anderen Kinder unbeaufsichtigt in der Nähe der Wanne spielen lassen.
- + Nicht verwenden, wenn ein Teil der Wanne beschädigt oder gerissen ist oder ganz fehlt.
- + Halten Sie den Joolz Day⁵ von offenem Feuer und anderen Wärmequellen fern.
- + Nur die von Joolz bereitgestellte Matratze verwenden. Keine

zusätzlichen Matratzen auf die von Joolz bereitgestellte Matratze legen.

- + Die Griffe und die Liegefläche der Wanne sollten regelmäßig auf Anzeichen von Beschädigung und Verschleiß untersucht werden.
- + Vor der Verwendung immer sicherstellen, dass der Sicherheitsbügel korrekt an der Wanne eingerastet ist.
- + Der Kopf des Kindes darf sich in der Wanne niemals niedriger als der Körper befinden.
- + Ein Überhitzen kann das Leben Ihres Kindes gefährden! Umgebungstemperatur und Kleidung des Kindes berücksichtigen und sicherstellen, dass das Kind nicht zu kalt oder zu warm ist.

WANNA - BEI VERWENDUNG ALS BETT

- + Dieses Produkt erst nach dem Lesen der Gebrauchsanweisung verwenden.
- + Das Produkt darf nicht mehr verwendet werden, wenn das Kind sitzen, knien oder sich selbst aufrichten kann.
- + Das Produkt muss auf ebenem Untergrund aufgestellt werden.
- + Kinder dürfen nicht unbeaufsichtigt in der Umgebung der Wiege spielen.
- + Die Wiege muss in der festgestellten Position verriegelt werden, wenn das Kind ohne Aufsicht gelassen wird.
- + Die Risiken offener Flammen und anderer starker Hitzequellen, z. B. Elektrokamine, Gaskamine usw. In der näheren Umgebung des Babybetts (Wiege und Hängewiege) sind zu berücksichtigen.
- + Die Wiege NICHT VERWENDEN, wenn Teile fehlen oder beschädigt sind. Auf Anfrage erhalten Sie von

Joolz Ersatzteile und Dokumente mit Arbeitsanweisung. Teile dürfen nicht ersetzt werden.

- + Nur die mit dieser Wiege mitgelieferte Matratze verwenden, keine zweite Matratze darauflegen, Erststückergefahr.

WARTUNG/WASCHANLEITUNG

Den Stoff kann abgenommen und in der Maschine gewaschen werden. Verwenden Sie niemals Bleiche oder chemische Reinigungsmittel. Behandeln Sie die Räder und Metallteile regelmäßig (etwa einmal im Monat) mit Silikonspray, um sicherzustellen, dass der Kinderwagen weiterhin reibungslos funktioniert.



Die Aluminiumteile des Day⁵ Buggy sind beschichtet, um sie vor äußeren Einflüssen wie Korrosion zu schützen. Beschichtete Aluminiumteile reagieren empfindlich auf säurehaltige Reinigungsmittel oder Fett, die Flecken und Verfärbungen der Aluminiumteile verursachen können.

Wir empfehlen deshalb, die Aluminiumteile des Kinderwagens mit warmem Wasser und einem weichen Tuch zu reinigen.

Sicherheit war ein wichtiger Aspekt beim gesamten Entwicklungsprozess des Joolz Day⁵. Unsere Produkte erfüllen daher folgende Sicherheitsstandards:

Europe:
EN 1888-2:2018+AI:2022, EN 1466:2023,
EN1130-2019 & EN16890:2017+AI:2021
United States:
ASTM F833-21 & ASTM F2050-19
Canada: SOR/2023-101
Australia: AS 2088: 2022

Bei Fragen und/oder Anmerkungen können Sie unsere Webseite joolz.com/de oder [facebook.com/myjoolz](https://www.facebook.com/myjoolz) besuchen, oder sich an Ihren Händler wenden.

NEDERLANDS

BELANGRIJK: NEEM DEZE AANWIJZINGEN VOOR GEBRUIK ZORGVULDIG DOOR EN BEWAAR ZE VOOR TOEKOMSTIG GEBRUIK. VOLG DE INSTRUCTIES VAN DE FABRIKANT OP.

⚠ WAARSCHUWING

ALGEMEEN

- + Laat het kind nooit achter zonder toezicht.
- + Zorg ervoor dat alle vergrendelingsmechanismen vast zitten voor dat je het product gebruikt.
- + Voorkom letsel en houd kind(eren) uit de buurt tijdens het aanpassen en in- en uitklappen van dit product.
- + Controleer voor gebruik of de wieg, het autostoeltje of de bevestigingsonderdelen op de juiste manier zijn bevestigd.
- + Dit product is niet geschikt om mee te joggen of te rolschaatsen.
- + Dit stoeltje is bedoeld voor kinderen vanaf 6 maanden tot 4 jaar, of tot een maximaal gewicht van 22 kg met een maximale lente van 100 cm. Welke eerst komt.
- + De vergrendeling moet altijd worden gebruikt bij het plaatsen en verwijderen van kinderen.
- + Gewicht dat aan de duwbeugel wordt bevestigd en/of aan de achterkant van de rugleuning en/of aan de zijkanten van het voertuig kan het voertuig uit evenwicht brengen.
- + Controleer het onderstel van de kinderwagen, de reiswieg, het stoeltje en de accessoires regelmatig op beschadigingen en slijtage.
- + De reiswieg of het stoeltje is geschikt voor het vervoer van één kind per keer.
- + Gebruik uitsluitend door Joolz

- goedgekeurde autostoeltjes, vervangende onderdelen of reserveonderdelen en accessoires.
- + Het maximale gewicht van de boodschappenmand is 10 kg.
- + Zorg dat het rempedaal bij gebruik van de rem volledig wordt ingedrukt.
- + Vergrendel altijd eerst de voorste zwenkwielen voordat de kinderwagen wordt ingeklapt. Als deze aanwijzing niet wordt opgevolgd, kunnen de banden vervormd raken. Met name in een warme omgeving.
- + Controleer regelmatig of uw product geen losse schroeven of andere onderdelen heeft die het kind zouden kunnen verwonden of vasthouden (koord, lolly's, halskettingen, enzovoort) wat tot verstikking zou kunnen leiden.

ALGEMEEN VOOR GEBRUIK VAN DE STOEL

- + Laat kinderen niet met dit product spelen.
- + Het stoeltje is niet geschikt voor kinderen jonger dan 6 maanden.
- + Gebruik altijd het veiligheidstuigje.
- + De stoel van de Joolz Day⁵ past alleen op het onderstel van de Joolz Day⁵ en omgekeerd.
- + Een autostoeltje dat gebruikt wordt met een onderstel is geen vervanging voor een wieg of bed. Leg kinderen die willen slapen in een geschikt ledikantje, bed of goedgekeurd slaapgedeelte dat is

aangepast aan de behoeften van het kind.

ALGEMEEN VOOR GEBRUIK VAN DE WIEG

- + Dit product is uitsluitend geschikt voor kinderen die niet zelfstandig kunnen blijven zitten.
- + Gebruik het product niet als een onderdeel kapot, gescheurd of ontbrekend is en gebruik alleen reserveonderdelen die door de fabrikant zijn goedgekeurd.
- + Alleen gebruiken op een solide, egaal en droog oppervlak.
- + Gebruik uitsluitend matrassen van Joolz. Plaats geen extra matras op het matras van Joolz.
- + Andere voorwerpen in het product plaatsen, kan tot verstikkingsgevaar leiden
- + Plaats het product niet in de buurt van een ander product dat tot verstikkingsgevaar of wurgingsgevaar zou kunnen leiden, zoals bijvoorbeeld touwtjes, koordjes van gordijnen en stores, vb.
- + De Joolz Day⁵ reiswieg is uitsluitend geschikt voor kinderen die niet zelfstandig kunnen zitten, die zich niet kunnen omdraaien en die niet op handen en knieën kunnen gaan zitten. Maximaal gewicht van het kind: 9 kg.
- + Maximale dikte van het matras is 30 mm.

SPECIFIEK BIJ GEBRUIK ALS REISWIEG

- + Laat andere kinderen niet zonder toezicht in de buurt van de reiswieg spelen.
- + Niet gebruiken als er onderdelen van de reiswieg beschadigd, defect, gescheurd of incompleet zijn.
- + Houd de Joolz Day⁵ uit de buurt van open vuur en andere hittebronnen.

- + Gebruik uitsluitend matrassen van Joolz. Plaats geen extra matras op het matras van Joolz.
- + Controleer de handgrepen en de onderkant van de reiswieg regelmatig op beschadigingen en slijtage.
- + Zorg dat de veiligheidsbeugel voor gebruik altijd correct is bevestigd aan de onderdelen van de reiswieg.
- + Het hoofd van het kind mag in de reiswieg nooit lager liggen dan het lichaam van het kind.
- + Oververhitting kan gevaarlijk zijn voor het leven van je kind! Houd rekening met de omgevingstemperatuur en de kleding van het kind en zorg dat het kind het niet te koud of te warm heeft.

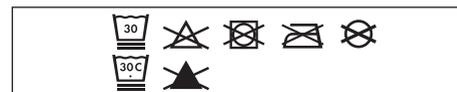
SPECIFIEK VOOR GEBRUIK ALS WIEG

- + Gebruik het product niet wanneer u de gebruiksinstructies niet hebt gelezen.
- + Gebruik het product niet meer wanneer het kind kan zitten, omdraaien, knielen of op handen en voeten kan gaan zitten.
- + Het product moet alleen op een horizontaal vlak worden geplaatst.
- + Kinderen mogen niet zonder toezicht spelen in de buurt van de wieg.
- + De wieg moet volledig opgezet zijn wanneer een kind zonder toezicht erin mag liggen.
- + Houd rekening met risico's die ontstaan door de aanwezigheid van open haarden of andere warmtebronnen zoals elektrische radiatoren of radiatoren op gas in de buurt van het product (wieg en bed).
- + Gebruik het product NIET wanneer er onderdelen beschadigd zijn of missen. Neem contact op met

- Joolz voor vervangende of reserve onderdelen en instructies indien nodig. Gebruik alleen door Joolz goedgekeurde onderdelen.
- + Gebruik enkel de matras die samen met het product wordt verkocht. Voeg geen tweede matras toe. Verstikkingsgevaar.

AANWIJZINGEN VOOR ONDERHOUD/REINIGING

De stoffen onderdelen zijn afneembaar en te wassen in de wasmachine. Gebruik geen bleek of andere chemische reinigingsmiddelen. Behandel de wielen en de metalen onderdelen regelmatig (ongeveer een keer per maand) met siliconenspray, zodat de kinderwagen soepel blijft werken.



De aluminium onderdelen van de Day⁵ kinderwagen zijn gecoat en zodoende beschermd tegen externe invloeden zoals corrosie. Gecoate aluminium onderdelen zijn slecht bestand tegen zure schoonmaakmiddelen of vet, waardoor vlekken en verkleuringen kunnen ontstaan. Wij raden dan ook aan om de aluminium onderdelen van de kinderwagen te reinigen met warm water en een zachte doek.

Tijdens het ontwikkelen van de Joolz Day⁵ is veel aandacht besteed aan veiligheid. Onze producten voldoen derhalve aan de volgende veiligheidsstandaarden:

Europe:
EN 1888-2:2018 & EN 1466:2023
United States:
ASTM F833-21, ASTM F2050-19
Canada: SOR/2023-101

Australia: AS 2088: 2022

Vragen of opmerkingen? Ga naar joolz.com, facebook.com/myjoolz of neem contact op met je winkelier.

IMPORTANT: VEUILLEZ LIRE ATTENTIVEMENT CES INSTRUCTIONS AVANT UTILISATION ET CONSERVEZ-LES POUR RÉFÉRENCE ULTÉRIEURE. RESPECTEZ LES CONSIGNES FOURNIES PAR LE FABRICANT.

AVERTISSEMENT GÉNÉRAL

- + Ne laissez jamais votre enfant sans surveillance.
- + Vérifiez que tous les dispositifs de verrouillage sont correctement enclenchés avant l'utilisation.
- + Afin d'éviter toute blessure, assurez vous de maintenir votre enfant/vos enfants à l'écart lorsque vous pliez et dépliez ce produit.
- + Vérifiez que les dispositifs de fixation de la nacelle, du hamac ou du siège auto sont correctement enclenchés avant l'utilisation.
- + Ce produit ne convient pas pour faire du jogging ou des promenades en rollers.
- + Le siège est destiné aux enfants de 6 mois à 4 ans, OU jusqu'à un poids maximum de 22 kg et une taille maximum de 100 cm. La situation qui arrive en premier..
- + Les freins devraient toujours être engagés lorsque vous installez votre enfant dans la poussette ou l'en sortez.
- + Toute charge fixée au guidon et/ou à l'arrière du dossier et/ou sur les côtés du produit affectera sa stabilité.
- + Vérifiez régulièrement le châssis, la nacelle, le hamac et les accessoires de la poussette afin de détecter d'éventuels signes de détérioration ou d'usure.
- + La nacelle et le hamac ne peuvent respectivement transporter qu'un seul enfant à la fois.
- + N'utilisez que des sièges auto,

- des pièces de rechange et des accessoires fournis ou approuvés par Joolz.
- + Le poids maximum du panier est de 10 kg.
- + Veillez à enfoncer complètement la pédale de frein lorsque vous actionnez le frein.
- + Verrouillez toujours les roues pivotantes à l'avant lorsque vous pliez la poussette. Le non-respect de cette consigne peut entraîner la déformation des pneus, surtout dans un environnement chaud.
- + Risque de strangulation: tous les dispositifs d'assemblage doivent toujours être convenablement serrés et il convient de veiller à ce qu'aucune vis ne soit desserrée, car l'enfant pourrait y accrocher certaines parties de son corps ou ses vêtements (par exemple cordons, colliers, attaches sucettes, etc.).

POUR LE SIÈGE

- + Ne laissez pas votre enfant/vos enfants jouer avec ce produit.
- + Ce siège ne convient pas aux enfants de moins de 6 mois.
- + Évitez les blessures graves que peuvent entraîner les chutes ou les glissades. Utilisez toujours le système d'attache.
- + Le siège de la Joolz Day⁵ n'est compatible qu'avec le châssis Joolz Day⁵.
- + Les sièges auto utilisés en conjonction avec un châssis ne

constituent pas un berceau ou un lit adéquat. Si votre enfant a besoin de dormir, il doit être installé dans un berceau, un lit ou autre endroit approprié à cet usage et aux besoins de votre enfant.

NACELLE - GÉNÉRAL

- + Ce produit ne convient qu'aux enfants qui ne peuvent pas encore s'asseoir seuls.
- + N'utilisez pas le produit si une pièce est cassée, déchirée ou manquante et utilisez uniquement des pièces de rechange approuvées par le fabricant.
- + N'utilisez que sur une surface horizontale ferme, plane et sèche.
- + N'utilisez que le matelas fourni par Joolz. Ne placez pas de matelas supplémentaire sur le matelas fourni par Joolz.
- + Le fait de placer d'autres articles dans le produit peut provoquer des risques de suffocation.
- + Ne pas placer le produit près d'un autre produit qui pourrait présenter un risque de suffocation ou de strangulation, par exemple ficelles, cordons de store/de rideau, etc.
- + La nacelle de la Joolz Day⁵ ne convient qu'aux enfants qui ne peuvent pas encore s'asseoir seuls, se tourner, ou se lever sur les mains et les genoux. Poids maximum de l'enfant: 9 kg.
- + Epaisseur de matelas maximum: 30 mm.

POUR UTILISER LE PRODUIT COMME NACELLE

- + Ne laissez pas d'autres enfants jouer à proximité de la nacelle sans surveillance.
- + N'utilisez pas la nacelle si l'une de ses pièces est endommagée, cassée, usée ou manquante.
- + Tenir la Joolz Day⁵ à l'écart du feu et

- de toute autre source de chaleur.
- + N'utilisez que le matelas fourni par Joolz. Ne placez pas de matelas supplémentaire sur le matelas fourni par Joolz.
- + Les poignées et le fond de la nacelle devraient être régulièrement examinés pour détecter tout dommage ou signe d'usure.
- + Vérifiez toujours que l'arceau de sécurité est correctement fixé à la nacelle avant toute utilisation.
- + Lorsque vous placez votre enfant dans la nacelle, veillez toujours à ce que sa tête soit positionnée plus haut que son corps.
- + Une chaleur excessive peut mettre en danger la vie de votre enfant ! Prenez toujours en compte la température ambiante et les vêtements que portent votre enfant, et veillez à ce qu'il n'ait ni trop chaud, ni trop froid.

POUR UTILISER LE PRODUIT COMME BERCEAU

- + Ne pas utiliser ce produit avant d'avoir lu les instructions d'utilisation.
- + Ne plus utiliser le produit dès lors que l'enfant peut s'asseoir, s'agenouiller ou se lever seul.
- + Le produit doit être placé sur un sol horizontal.
- + Les jeunes enfants ne sont pas autorisés à jouer sans surveillance à proximité du berceau.
- + Le berceau doit être en position fixe lorsque l'enfant est laissé sans surveillance.
- + Tenir compte des risques engendrés par la présence de foyers ouverts ou autres sources de forte chaleur comme les radiateurs électriques, ou à gaz, etc. à proximité du produit.
- + NE PAS utiliser le berceau si une pièce quelconque est cassée, endommagée ou manquante.

Contactez Joolz pour obtenir des pièces de rechange et une documentation avec des instructions si nécessaire. NE PAS remplacer les pièces.

- + Utiliser uniquement le matelas vendu avec ce berceau. Ne pas ajouter un second matelas sur celui-ci. Risques de suffocation.

RISQUE D'ASPHYXIE:

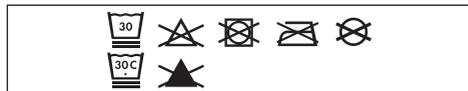
La nacelle peut basculer sur des surfaces souples et asphyxier l'enfant. Ne placez JAMAIS la nacelle sur des lits, canapés ou autres surfaces souples.

RISQUE DE CHUTE:

Les mouvements de l'enfant peuvent faire bouger la nacelle. Ne placez JAMAIS la nacelle au bord d'un plan de travail, sur une table ou autres surfaces élevées. N'utilisez JAMAIS cette nacelle pour transporter un enfant à bord d'une voiture.

CONSIGNES D'ENTRETIEN/DE NETTOYAGE

Les tissus sont amovibles et lavables en machine. N'utilisez jamais d'eau de javel ni autres détergents chimiques. Traitez régulièrement (environ une fois par mois) les roues et pièces métalliques avec un spray de silicone pour que la poussette continue à rouler correctement.



Les pièces en aluminium de votre poussette Joolz Day⁵ sont vernies pour les protéger des éléments externes, tels que la corrosion. Les pièces en aluminium verni sont sensibles aux nettoyants acides ou

aux graisses, qui peuvent provoquer des taches et une décoloration des pièces en aluminium.

Nous vous conseillons donc de nettoyer les pièces en aluminium de votre poussette à l'eau chaude et avec un chiffon doux.

Nous avons donné priorité à la sécurité tout au long du développement de la poussette Joolz Day⁵. Nos produits sont conformes aux normes de sécurité suivantes:

Europe:
EN 1888-2:2018+AI:2022, EN 1466:2023,
EN1130-2019 & EN16890:2017+AI:2021
United States:
ASTM F833-21 & ASTM F2050-19
Canada: SOR/2023-101
Australia: AS 2088: 2022

Veillez consulter joolz.com, [facebook.com/myjoolz](https://www.facebook.com/myjoolz) ou contacter votre revendeur pour toute question et/ou commentaire.

ESPAÑOL

IMPORTANTE: LEA ESTAS INSTRUCCIONES DETENIDAMENTE ANTES DE UTILIZARLO Y GUÁRDALAS PARA FUTURAS CONSULTAS. SIGUE LAS INSTRUCCIONES DEL FABRICANTE.

⚠ ADVERTENCIA GENERAL

- + Nunca deje a su niño solo sin supervisión.
- + Comprueba que todos los dispositivos de bloqueo están activados antes del uso.
- + Para evitar que se produzcan lesiones, asegúrate de que los niños están alejados al desplegar y plegar este producto.
- + Comprueba que los dispositivos de conexión del capazo, sillita o silla de auto están bien colocados antes de usarlos.
- + Este producto no es adecuado para correr o patinar.
- + Esta sillita está diseñada para niños de 6 meses a 4 años, O hasta un peso máximo de 22 kg con una altura máxima de 100 cm. Lo que ocurra primero.
- + Pon siempre el freno al meter o sacar el niño del carrito.
- + Todas las cargas colocadas en el manillar y/o en la parte trasera del respaldo y/o en los lados del vehículo afectan a su estabilidad.
- + Revisa el chasis de carrito, el capazo, la sillita y los accesorios regularmente para detectar signos de daños y desgaste.
- + El capazo o la sillita solo pueden ser usados por un niño a la vez.
- + Utiliza únicamente sillitas de coche, piezas de repuesto y accesorios suministrados o aprobados por Joolz.
- + El peso máximo para la cesta de la compra es de 10 kg/22 lb.

- + Asegúrese de que el pedal de freno esté totalmente engranado al aplicar el freno.
- + Bloquea siempre las ruedas giratorias delanteras antes de plegar el carrito. De lo contrario, puede producirse deformación en los neumáticos, especialmente en entornos calurosos.
- + Riesgo de estrangulamiento: todos los dispositivos de ensamblaje deberán estar siempre correctamente ajustados y se deberá prestar atención a que los tornillos no estén flojos, ya que el bebé, o algunas prendas que lleve (como tirantes, collares, lazos para sujetar el chupete, etc.), podrían quedar atrapados.

ASIENTO - GENERAL

- + No permitas que los niños jueguen con este producto.
- + La sillita no está diseñada para niños menores de 6 meses.
- + Evita que se produzcan lesiones graves por caídas o deslizamientos. Utiliza siempre el sistema de retención.
- + El capazo Joolz Day⁵ y la sillita solo son compatibles con el chasis Joolz Day⁵ y viceversa.
- + Los asientos de coche usados en combinación con un chasis no sustituyen a un capazo o a una cama. Si el niño necesita dormir, debe ponerse en una cuna, cama o lugar para dormir adecuados, según sus necesidades.

CAPAZO - GENERAL

- + Este producto solo es adecuado para niños que no pueden sentarse sin ayuda.
- + No utilice el producto si alguna pieza está rota, rota o falta y utilice sólo piezas de repuesto aprobadas por el fabricante.
- + Utilízalo solo sobre una superficie firme, horizontal y seca.
- + Utiliza únicamente el colchón proporcionado por Joolz. No coloques un colchón adicional sobre el colchón proporcionado por Joolz.
- + Si colocas otros elementos en el producto estos podrían provocar riesgos de asfixia.
- + No sitúes el producto cerca de otros elementos que puedan provocar riesgo de asfixia o de estrangulamiento, como hilos, cordones de cortinas/persianas, etc.
- + El capazo Joolz Day⁵ solo es adecuado para niños que no pueden sentarse sin ayuda, girar ni levantarse con la ayuda de las manos y las rodillas. Peso máximo del niño: 9 kg/20 lb.
- + Grosor máximo del colchón: 30 mm.

PARA EL CAPAZO

- + No permitas que otros niños jueguen sin supervisión cerca del capazo.
- + No lo utilices si falta alguna pieza del capazo o si observas alguna rota o agrietada.
- + Mantén el Joolz Day⁵ alejado de llamas abiertas u otras fuentes de calor.
- + Utiliza únicamente el colchón proporcionado por Joolz. No coloques un colchón adicional sobre el colchón proporcionado por Joolz.
- + Las asas y la parte inferior del capazo deben inspeccionarse periódicamente para detectar

- signos de daños y desgaste.
- + Comprueba que la barra de seguridad está colocada correctamente en el capazo antes de usarlo.
- + La cabeza del niño colocado en el capazo no debe ir en una posición más baja que el resto del cuerpo.
- + El sobrecalentamiento puede poner en peligro la vida de tu hijo. Ten en cuenta la temperatura ambiente y la ropa del niño, y asegúrate de que no tenga demasiado frío o calor.

POR UTILIZAR EL PRODUCTO COMO CUNA

- + No utilices este producto hasta haber leído detenidamente las instrucciones de uso.
- + Deja de utilizar este producto cuando el niño pueda sentarse, arrodillarse o levantarse solo.
- + El producto debe situarse sobre una superficie horizontal.
- + No permitas que otros niños jueguen sin supervisión cerca del capazo.
- + La cuna debe estar fijada en su posición cuando el niño no esté vigilado.
- + Ten en cuenta los riesgos que puede producir una chimenea u otra fuente de calor importante, como radiadores o estufas de gas cerca de la cuna (cuna y cama).
- + NO utilices la cuna si le falta alguna pieza, o si esta está dañada o rota. Ponte en contacto con Joolz para solicitar piezas de repuesto o manuales de instrucciones si es preciso. NO sustituyas las piezas por otras.
- + Utiliza únicamente el colchón que se vende junto con la cuna, no añadas un colchón adicional, podría provocar un riesgo de asfixia.

PELIGRO DE ASFIXIA:

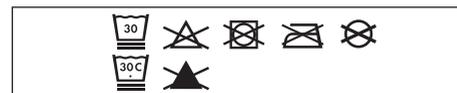
La sillita de bebé puede volcar en superficies blandas y asfixiar al niño. NUNCA coloques la sillita encima de camas, sofás u otras superficies blandas.

PELIGRO DE CAÍDA:

La actividad del niño puede mover la sillita. NUNCA coloques la sillita encima de bordes de mostradores, mesas u otras superficies elevadas. NUNCA utilices esta sillita como medio de transporte para niños en un vehículo de motor.

INSTRUCCIONES DE LAVADO/ MANTENIMIENTO

Las telas se puede quitar y lavar en la lavadora. No utilices lejía ni otros detergentes abrasivos. Trata las ruedas y las otras piezas metálicas periódicamente (una vez al mes aprox.) con spray de silicona para garantizar un funcionamiento correcto del carrito.



Las piezas de aluminio de tu carrito Day⁵ están revestidas para protegerlas de influencias externas, tales como la corrosión. Las piezas con revestimiento de aluminio son vulnerables a la grasa y los detergentes acídicos, lo que puede provocar manchas y decoloración de esas piezas.

Por lo tanto, te recomendamos limpiar las piezas de aluminio del carrito con agua templada y un paño suave.

La seguridad ha sido un elemento clave durante el desarrollo del carrito Joolz Day⁵. Por lo tanto, nuestros

productos cumplen con las siguientes normas de seguridad:

Europe:
EN I888-2:2018 & EN I466:2023
United States:
ASTM F833-2I, ASTM F2050-I9
Canada: SOR/2023-I0I
Australia: AS 2088: 2022

Visita joolz.com, facebook.com/myjoolz o ponte en contacto con tu distribuidor si tienes alguna duda o comentario.

IMPORTANTE: IMPORTANTE: LEIA ATENTAMENTE ESTAS INSTRUÇÕES ANTES DA UTILIZAÇÃO E GUARDE-AS PARA CONSULTA FUTURA. SIGA AS INSTRUÇÕES DO FABRICANTE.

⚠️ AVISO

GERAL

- + Nunca deixe o bebê sem supervisão.
- + Certifique-se de que todos os dispositivos de bloqueio estão engatados antes da utilização.
- + Para evitar ferimentos, certifique-se de que o(s) bebê(s) se mantém(êm) afastado(s) quando desdobrar e dobrar este produto.
- + Verifique se os dispositivos de fixação da alcofa de transporte, da cadeira ou cadeiras auto estão corretamente engatados antes da utilização.
- + Este produto não é adequado para ser utilizado enquanto corre ou anda de patins.
- + A cadeira destina-se a crianças dos 6 meses aos 4 anos, OU até um peso máximo de 22 kg com uma altura máxima de 100 cm. Aplica-se a situação que ocorrer primeiro.
- + Os travões devem estar sempre engatados quando colocar e retirar o bebê.
- + Qualquer carga presa aos punhose/ ou à parte de trás do encosto e/ ou nas laterais do veículo afetará a estabilidade do mesmo.
- + Verifique o chassis do carrinho, a alcofa, a cadeira e os acessórios regularmente para detetar sinais de danos e desgaste.
- + A alcofa ou cadeira só podem transportar uma criança de cada vez.
- + Utilize apenas cadeiras, peças de substituição e acessórios aprovados

pela Joolz.

- + O peso máximo do cesto de compras é de 10 kg/22 lbs.
- + Ao travar, certifique-se de que o pedal do travão é acionado completamente.
- + Aplique sempre o bloqueio das rodas giratórias dianteiras quando dobrar o carrinho. Se não o fizer, poderá deformar os pneus, especialmente num ambiente quente.
- + Risco de estrangulamento: Todos os dispositivos montagem precisa ser ajustada corretamente e você precisa ter certeza de que nenhum parafuso está solto, porque o bebê pode ficar preso com peças do corpo ou da roupa (por exemplo, cordas, colares, correntes para chupetas, etc.).

ASSENTO - GERAL

- + Não deixe a(s) criança(s) brincar com este produto.
- + Esta cadeira não é adequada para bebês com menos de 6 meses.
- + Evite ferimentos graves devido a queda ou deslizamento. Utilize sempre o sistema de imobilização.
- + As alcofas e as cadeiras Joolz Day⁵ são compatíveis apenas com o chassis Joolz Day⁵.
- + As cadeiras auto usadas em conjunto com um chassis não substituem um berço ou uma cama. Se o seu filho precisar de dormir, deve ser colocado num berço ou numa cama adequados ou numa

área de dormir aprovada com base nas necessidades do seu filho.

ALCOFA - GERAL

- + Este produto só é adequado para um bebê que não consiga sentar-se sem ajuda.
- + Não utilize o produto se alguma peça estiver partida, rasgada ou em falta e utilize apenas peças sobresselentes aprovadas pelo fabricante.
- + Utilize apenas numa superfície horizontal firme, nivelada e seca.
- + Use apenas o colchão fornecido pela Joolz. Não coloque colchões adicionais no colchão fornecido pela Joolz.
- + Colocar artigos adicionais no produto pode causar sufocação.
- + Não coloque o produto próximo de outro produto que possa apresentar um risco de sufocação ou de estrangulamento, por ex., cordões, fios de cortinas/estores, etc.
- + A alcofa de transporte Joolz Day⁵ só é adequada para crianças que não se consigam sentar sozinhas, rodar sobre si próprias ou colocarse de gatas. Peso máximo do bebê: 9 kg/20 lbs.
- + Altura máxima do colchão: 30 mm.

PARA A ALCOFA DE TRANSPORTE

- + Não deixe que outras crianças brinquem sem supervisão perto da alcofa de transporte.
- + Não utilize se alguma peça da alcofa de transporte estiver danificada, partida, torcida ou em falta.
- + Mantenha o Joolz Day⁵ afastado de chamas abertas e de outras fontes de calor.
- + Use apenas o colchão fornecido pela Joolz. Não coloque colchões

adicionais no colchão fornecido pela Joolz.

- + As pegas e a parte inferior da alcofa de transporte devem ser inspecionadas regularmente quanto a sinais de danos e desgaste.
- + Certifique-se sempre de que a barra antichoque está corretamente engatada na alcofa/cadeira antes da utilização.
- + Na alcofa de transporte, a cabeça do bebê nunca deverá estar abaixo do nível do corpo.
- + O sobreaquecimento pode colocar em perigo a vida do seu filho! Tenha em atenção a temperatura ambiente e a roupa do seu filho para garantir que não tenha nem frio nem calor.

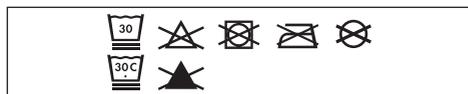
ALCOIFE - PARA UTILIZAR O PRODUTO COMO BERÇO

- + Não utilize este produto sem ler primeiro as instruções de utilização.
- + Interrompa a utilização do produto assim que a criança se consiga sentar ou pôr-se de joelhos ou levantar-se.
- + O produto deve ser colocado em piso horizontal.
- + As crianças não devem brincar sem supervisão nas proximidades do berço.
- + O berço deve ser travado no lugar fixo quando a criança fica sem vigilância.
- + Leve em consideração o risco de incêndios abertos e outras fontes de calor forte, como radiadores elétrica, gás, etc. nas imediações do berço (berço e berço suspenso)
- + NÃO use o berço em caso de peças ausente, danificado ou quebrado. Contactar Joolz para peças de reposição e manuais de instruções, se necessário. Não substitua as

- peças.
+ Utilize apenas o colchão vendido com este berço, não adicione um segundo colchão sobre o mesmo, riscos de sufocação.

MANUTENÇÃO/INSTRUÇÕES DE LAVAGEM

Os tecidos são removíveis e laváveis à máquina. Nunca utilize lixívia ou outros detergentes químicos. Periodicamente (aproximadamente uma vez por mês), aplique um spray à base de silicone nas rodas e peças de metal para garantir que o carrinho continua a mover-se com facilidade.



As peças de alumínio do carrinho Day⁵ são anodizadas para o proteger de influências externas tais como a corrosão. As peças de alumínio anodizado são vulneráveis a produtos de limpeza ácidos ou lubrificantes, que podem causar manchas e descoloração nas peças de alumínio.

Recomendamos que limpe as peças de alumínio do carrinho com água morna e um pano macio.”

A segurança foi uma consideração importante ao longo do desenvolvimento do Joolz Day⁵. Como tal, os nossos produtos cumprem as seguintes normas de segurança:

Europe:
EN 1888-2:2018+AI:2022, EN 1466:2023,
EN130-2019 & EN16890:2017+AI:2021
United States:
ASTM F833-21 & ASTM F2050-19

Canada: SOR/2023-101
Australia: AS 2088: 2022
Consulte joolz.com, facebook.com/myjoolz ou contacte o eu revendedor se tiver dúvidas e/ou comentários.

ITALIANO

IMPORTANTE: LEGGERE ATTENTAMENTE LE PRESENTI ISTRUZIONI PRIMA DELL'USO E CONSERVARLE COME RIFERIMENTO FUTURO. ATTENERSI ALLE ISTRUZIONI DEL PRODUTTORE.

⚠ AVVERTENZA GENERALE

- + Non lasciare mai il bambino incustodito.
- + Accertarsi che tutti i dispositivi di bloccaggio siano inseriti prima dell'uso.
- + Per evitare lesioni, assicurarsi di tenere a distanza i bambini mentre si regola, apre e chiude questo prodotto.
- + Prima dell'uso, verificare che i dispositivi di fissaggio per navicelle, seggiolini o seggiolini auto siano correttamente inseriti.
- + Questo prodotto non è idoneo per correre o pattinare.
- + Questa seduta è destinata a bambini da 6 mesi a 4 anni, o fino a un peso massimo di 22 kg con un'altezza non superiore a 100 cm. Quello che viene prima.
- + Bloccare sempre i freni quando si fanno accomodare o rimuovono i bambini.
- + Qualsiasi carico fissato al maniglione e/o al retro dello schienale e/o ai lati dell'unità influenzerà la stabilità del passeggino.
- + Verificare regolarmente il telaio del passeggino, la navicella, il seggiolino e gli accessori per verificare che non siano presenti segni di danni e usura.
- + Ciascuna navicella o seggiolino può trasportare un solo bambino alla volta
- + Utilizzare esclusivamente seggiolini per auto, parti di ricambio e

- accessori approvati da Joolz.
- + Il peso massimo supportato dal cestello della spesa ammonta a 10 kg.
- + Prima di frenare, accertarsi che il pedale del freno sia completamente innestato.
- + Utilizzare sempre il blocco di rotazione sulle ruote anteriori quando si chiude il passeggino. In caso contrario si rischia di deformare gli pneumatici, soprattutto in ambienti caldi.
- + Rischio di strangolamento: Tutti i dispositivi di assemblaggio devono essere regolati correttamente ed è necessario assicurarsi che nessuna vite sia allentata, perché il bambino potrebbe rimanere incastrato con parti del corpo o dell'abbigliamento (es. cordoni, collane, catene per ciucci, ecc.).

SEDUTA - GENERALE

- + Non permettere ai bambini di giocare con questo prodotto.
- + La seduta non è adatta a bambini di età inferiore ai 6 mesi.
- + Evitare lesioni gravi impedendo che cada o scivoli fuori. Utilizzare sempre il sistema di ritenuta.
- + La navicella Joolz Day⁵ e il seggiolino sono compatibili solo con il telaio Joolz Day⁵.
- + Seggiolini per auto utilizzati unitamente a un telaio non sostituiscono una culla o un lettino. Se il bambino ha bisogno di dormire, utilizzare una culla, lettino o area

idonea in base alle necessità del bambino.

NAVICELLA - GENERALE

- + Questo prodotto è adatto solo per bambini che non siano in grado di stare seduti da soli.
- + Utilizzare solo su un
- + Non utilizzare il prodotto se una parte è rotta, strappata o mancante e utilizzare solo pezzi di ricambio approvati dal produttore. a superficie solida, piana e asciutta.
- + Utilizzare solo il materassino fornito da Joolz. Non aggiungere un materassino supplementare su quello fornito da Joolz.
- + Posizionare altri oggetti all'interno del prodotto potrebbe causare soffocamento.
- + Non posizionare il prodotto vicino ad un altro prodotto che potrebbe rappresentare un pericolo di soffocamento o strangolamento, per esempio cordoni, corde di tapparelle/tende, ecc.
- + La navicella Joolz Day⁵ è adatta solo per bambini che non siano in grado di sedersi, girarsi o sollevarsi da soli su mani e ginocchia. Peso massimo del bambino: 9 kg.
- + Altezza massima del materasso: 30 mm.

PER LA NAVICELLA

- + Non lasciare che altri bambini giochino incustoditi vicino alla navicella.
- + Non utilizzare se qualsiasi parte della navicella è danneggiata, rotta, strappata o mancante.
- + Tenere Joolz Day⁵ lontano da fiamme libere e altre fonti di calore.
- + Utilizzare solo il materassino fornito da Joolz. Non aggiungere un materassino supplementare su quello fornito da Joolz.

- + Controllare regolarmente le maniglie e la base della navicella per verificare l'eventuale presenza di danni e segni di usura.
- + Assicurarsi sempre che la barra di sicurezza sia correttamente fissata alla navicella prima dell'uso.
- + La testa del bambino nella navicella non dovrebbe mai essere più in basso rispetto al corpo.
- + Il surriscaldamento può mettere in pericolo la vita del bambino! Tenere presente la temperatura ambiente e l'abbigliamento del bambino e assicurarsi che questi non sia troppo freddo o troppo caldo.

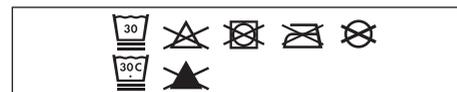
NAVICELLA - PER L'UTILIZZO DEL PRODOTTO COME LETTINO

- + Non utilizzare il prodotto senza aver prima letto le istruzioni per l'uso.
- + Smettere di utilizzare il prodotto non appena il bambino è in grado di sedersi, inginocchiarsi o sollevarsi.
- + Il prodotto deve essere posizionato su un
- + I bambini non devono essere autorizzati a giocare senza sorveglianza nelle vicinanze della culla.
- + La culla deve essere bloccata in posizione fissa quando il bambino è lasciato senza sorveglianza.
- + Tenere in conto il rischio di fuochi aperti e altre fonti di forte calore, come radiatori elettrici, a gas, ecc. nelle immediate vicinanze del lettino (culla e lettino sospeso).
- + NON utilizzare la culla in caso di pezzi mancanti, danneggiati o rotti. Contattare Joolz per pezzi di ricambio e manuali di istruzioni se necessario. Non sostituire i pezzi.
- + Utilizzare esclusivamente il materasso venduto con la presente culla, non aggiungere un secondo materasso sopra a questo, rischio di

soffocamento.

MANUTENZIONE/ISTRUZIONI PER IL LAVAGGIO

I tessuti sono staccabili e lavabili in lavatrice. Non usare mai candeggina o altri detergenti chimici. Periodicamente (circa una volta al mese) trattare le ruote e le parti metalliche con spray al silicio per assicurarsi che il passeggino continui a funzionare senza problemi.



Le parti in alluminio del passeggino Day⁵ sono anodizzate per proteggerle da fattori esterni come la corrosione. Le parti in alluminio anodizzato sono vulnerabili ai detergenti acidi e ai grassi, che possono causare macchie e scolorimento su di esse. Pertanto si consiglia di pulire le parti in alluminio del passeggino con acqua calda e un panno morbido.

La sicurezza è stata tenuta in grande considerazione durante lo sviluppo di Joolz Day⁵, pertanto i nostri prodotti soddisfano i seguenti standard di sicurezza:

Europe:
EN 1888-2:2018 & EN 1466:2023
United States:
ASTM F833-21, ASTM F2050-19
Canada: SOR/2023-101
Australia: AS 2088: 2022

Visitare joolz.com/it/it/home, facebook.it/myjoolz o contattare il proprio rivenditore per eventuali domande e/o commenti.

VIKTIGT: LÄS DENNA BRUKSANVISNING NOGA FÖRE ANVÄNDNING OCH SPARA DEN FÖR FRAMTIDA BRUK. FÖLJ TILLVERKARENS ANVISNINGAR.

⚠ VARNING

ALLMÄN

- + Lämna aldrig barnet utan uppsikt.
- + Se till att alla låsanordningar är på plats innan användning.
- + För att undvika skador ska du se till att barn inte är i närheten vid justering samt upp- och nedfällning av denna produkt.
- + Kontrollera att fästnanordningar för liggdelar, sittdelar eller bilbarnstolar är korrekt påsatta före användning
- + Den här produkten är inte lämplig för löpning eller skridskoåkning.
- + Sittdelen är avsedd för barn från 6 månader till 4 års ålder, ELLER upp till en maxvikt på 22 kg med en maxhöjd på 100 cm. Beroende på vad som inträffar först.
- + Bromsarna ska alltid vara låsta när du lägger ner och tar upp barn.
- + All last som fästs vid handtaget och/ eller ryggstödet baksida och/ eller fordonets sidor kan påverka dess stabilitet.
- + Kontrollera barnvagnens chassi, liggdelen, sittdelen och tillbehören regelbundet för tecken på skador eller slitage.
- + I liggdelen eller sittdelen kan det endast ligga eller sitta ett barn i taget.
- + Använd endast sittdelar, ersättande delar eller reservdelar och tillbehör som tillhandahålls eller är godkända av Joolz.
- + Högsta tillåtna vikt för shoppingkorgen är 10 kg
- + Kontrollera att bromspedalen är fullständigt nedtrampad när du

använder bromsen.

- + Läs alltid de främre hjulen innan du faller ihop barnvagnen. I annat fall kan däckan fastna och deformeras, särskilt i en varm miljö.
- + Risk för strypning: Alla monteringsbeslag bör alltid dras åt ordentligt och försiktighet bör iaktas att inga skruvar är lösa, eftersom ett barn kan fastna med antingen vissa kroppsdelar eller kläderna (t.ex. snoddar, halsband, band till snuttefiltar osv.).

SITTDELAR - ALLMÄN

- + Låt inte barn leka med den här produkten.
- + Sittdelen är inte lämplig för barn under 6 månader.
- + Undvik allvarlig skador från fall eller barn som glider ur. Använd alltid fasthållningssystemet.
- + Joolz Day⁵ sittdel kan endast kombineras med Joolz Day⁵ chassi.
- + Bilbarnstolar som används tillsammans med ett chassi ska inte ersätta en liggdel eller en säng. Om ditt barn behöver sova bör det placeras i en lämplig spjålsäng, säng eller godkänd liggdel enligt barnets behov.

LIGGDELEN - ALLMÄN

- + Den här produkten lämpar sig endast för barn som inte kan sitta upp utan hjälp.
- + Använd den en
- + Använd inte produkten om någon del är trasig, trasig eller saknas och använd endast reservdelar som

godkänts av tillverkaren. dast på en stabil, horisontell och torr yta.

- + Använd endast Joolz madrasser.
- + Lägg ingen extra madrass ovanpå madrassen från Joolz.
- + Placering av ytterligare föremål i produkten kan orsaka kvävning.
- + Placera inte produkten nära en annan produkt som skulle kunna utgöra fara för kvävning eller strypning, t.ex. snoddar, snören till rullgardiner/gardiner osv.
- + Joolz Day⁵ liggdelen är bara lämplig för barn som inte kan sitta upp utan hjälp, vända på sig eller skjuta upp sig med sina händer och knän. Barnets maxvikt: 9 kg.
- + Maximal tjocklek på madrassen: 30 mm.

NÄR DEN ANVÄNDS SOM LIGGDEL.

- + Låt inte andra barn leka nära liggdelen utan uppsikt.
- + Använd den inte om någon del av liggdelen är skadad, trasig eller saknas.
- + Håll Joolz Day⁵ borta från bränder och andra värmekällor.
- + Använd endast Joolz madrasser.
- + Lägg ingen extra madrass ovanpå madrassen från Joolz.
- + Liggdelens handtag och botten bör kontrolleras regelbundet så att tecken på skador och slitage kan upptäckas.
- + Se alltid till att stötfångaren är korrekt fastsatt på liggdelarna före användning.
- + Barnets huvud ska aldrig vara lägre än barnets kropp i liggdelen.
- + Ditt barns liv kan sväva i fara vid överhettning! Håll koll på omgivningstemperaturen och barnets kläder samt se till att barnet inte är för kallt eller varmt.

LIGGDEL - NÄR DEN ANVÄNDS SOM

SPJÅLSÄNG

- + Använd inte den här produkten utan att först läs
- + Produkten ska placeras på ett plant golv. a bruksanvisningen.
- + Sluta använda spjålsängen så fort barnet kan sitta, ställa sig på knä eller resa sig upp.
- + Barn får inte tillåtas att leka utan tillsyn i närheten av spjålsängen.
- + Spjålsängen ska fästas i låst läge när barnet lämnas utan uppsikt.
- + Observera riskerna med öppen eld eller andra starka värmekällor, till exempel infravärmare, gaskaminer m.m. i närheten av barnsängen (spjålsäng och upphöjd säng).
- + Använd INTE spjålsängen om några delar saknas, är skadade eller trasiga. Kontakta Joolz för reservdelar och handledningar om det behövs. Ersätt inga delar.
- + Lägg inte ytterligare en madrass ovanpå denna. Risk för kvävning.

UNDERHÅLL/TVÄTTRÅD

Tygerna kan tas av och maskintvättas. Använd aldrig blekmedel eller andra kemiska rengöringsmedel. Behandla hjul och metalldelar regelbundet (ungefär en gång i månaden) med silikonspray så att barnvagnen fortsätter att rulla smidigt.



Aluminiumdelarna på din Day⁵ barnvagn är ytbehandlade för att vara skyddade från yttre påverkan såsom rost. Ytbehandlade aluminiumdelar är känsliga för sura rengöringsmedel eller fett, som kan orsaka fläckar och missfärgningar på aluminiumdelarna. Vi rekommenderar därför att du rengör aluminiumdelarna på din barnvagn med varmt vatten och en mjuk trasa.

Sikkerhet har varit en viktig faktor i hela utviklingsprosessen for Joolz Day⁵. Våra produkter oppfyller därför følgende sikkerhetsstandarder:

Europe:
EN 1888-2:2018+AI:2022, EN 1466:2023,
EN1130-2019 & EN16890:2017+AI:2021
United States:
ASTM F833-21 & ASTM F2050-19
Canada: SOR/2023-101
Australia: AS 2088: 2022

Besök gärna joolz.com, [facebook.com/myjoolz](https://www.facebook.com/myjoolz) eller kontakta din återförsäljare vid eventuella frågor och/eller kommentarer.

NORSK

VIKTIGT: VENNLIGST LES DISSE BRUKSANVISNINGENE NØYE FØR BRUK OG OPPBEVAR DEM FOR FREMTIDIG REFERANSE. FØLG PRODUSENTENS ANVISNINGER.

⚠ ADVARSEL

GENERELL

- + Forlat aldri barnet uten tilsyn.
- + Før bruk, forsikre deg om at alle låseenheter er på plass.
- + For å unngå personskade, sørg for at barnet/ barna holdes borte når du justerer, folder ut og folder sammen dette produktet.
- + Kontroller at festeanordningene liggedelen, sittedelen eller bilstolen er riktig festet før bruk.
- + Dette produktet er ikke egnet for løping eller bruk med skøyter.
- + Denne sittedelen er beregnet for barn fra 6 måneder og opp til 4 år, ELLER opp til en maksvekt på 22 kg med en maksimal høyde på 100 cm. Det som kommer først.
- + Bremsene skal alltid være aktivert når du plasserer og fjerner barna.
- + Enhver type last festet til håndtaket og/ eller på baksiden av ryggstøtten og/eller på sidene av vognen vil påvirke vognens stabilitet.
- + Kontroller barnevognens understell, liggedelen, sittedelen og tilbehøret regelmessig for tegn på skade og slitasje.
- + Liggedelen eller sittedelen kan kun bære ett barn om gangen.
- + Bruk kun bilstoler, utskiftings- eller reservedeler og tilbehør som leveres eller er godkjent av Joolz.
- + Den maksimale vekten for varekurven er 10 kg.
- + Sørg for at bremsepedalen er fullstendig tilkoblet når du bruker bremsen.
- + Tilsett alltid svivellåsen på

forhjulene før barnevognen foldes sammen. Unnlattelse av å gjøre dette kan resultere i deformasjon av dekkene, særlig i varme omgivelser.

- + Risiko for struping: Alle monteringsdeler skal alltid være strammet skikkelig og det skal utvises forsiktighet for å sikre at ingen skruer er løse, siden et barn kan sette fast deler av kroppen eller klær (f.eks. snorer, halsbånd, smokkesnorer osv.).

SITTEDEL - GENERELL

- + Ikke la barn leke med dette produktet.
- + Denne sittedelen er ikke egnet for barn under 6 måneder.
- + Unngå alvorlige personskader fra å falle eller skli ut. Bruk alltid sikkerhetsbeltene.
- + Joolz Day⁵- og sittedelene er kun kompatible med Joolz Day⁵.
- + Bilstoler som brukes i kombinasjon med et understell, erstatter ikke en babyseng eller en seng. Skulle barnet ditt trenge å sove, bør det plasseres i en egnet babyseng, seng eller et godkjent soveområde basert på barnets behov.

BARNESENG - GENERELL

- + Dette produktet er kun egnet for et barn som ikke kan sitte opp av seg selv.
- + Ikke bruk produktet hvis noen deler er ødelagte, revet eller mangler, og bruk bare reservedeler som er godkjent av produsenten.
- + Bruk kun på en fast, horisontal og

- tørr overflate.
- + Bruk kun madrassen som er levert av Joolz. Ikke legg en ekstra madrass oppå madrassen som er levert av Joolz.
- + Om det plasseres andre gjenstander i produktet kan det føre til kvelning.
- + Ikke plasser produktet i nærheten av et annet produkt som kan føre til fare for kvelning eller struping, f.eks. snorer, persiener/gardinsnorer, osv.
- + Joolz Day⁵-barneseng er kun egnet for et barn som ikke kan sitte opp av seg selv, rulle eller komme seg opp på hender og knær. Maksimal vekt for barnet: 9 kg.
- + Maksimal tykkelse på madrassen: 30 mm.

BARNESENG - NÅR DEN BRUKES SOM BÆRESENG

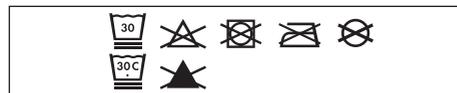
- + Ikke la andre barn leke uten tilsyn i nærheten av liggedelen.
- + Må ikke brukes hvis noen deler av liggedelen er ødelagt, revnet eller mangler.
- + Hold Joolz Day⁵ unna åpen ild og andre varmekilder.
- + Bruk kun madrassen som er levert av Joolz. Ikke legg en ekstra madrass oppå madrassen som er levert av Joolz.
- + Håndtakene og bunnen av liggedelen bør kontrolleres regelmessig for tegn på skade og slitasje.
- + Kontroller alltid at frontbøylen er riktig festet til liggedelen før bruk.
- + I liggedelen må hodet til barnet aldri være lavere enn kroppen
- + Overoppheting kan være livsfarlig for barnet ditt! Ta hensyn til omgivelsestemperaturen og barnets bekledning for å sikre at barnet verken er for kaldt eller varmt.

BARNESENG - NÅR DEN BRUKES SOM KRYBBE

- + Ikke bruk produktet uten å ha lest brukerveiledningen først.
- + Slutt å bruke produktet så snart barnet kan sitte eller sitte på kne eller trekke seg opp. Da bør den laveste posisjonen brukes.
- + Produktet skal plasseres på et horisontalt gulv.
- + Barn skal ikke ha lov til å leke uten tilsyn i nærheten av sprinkelsengen.
- + Sprinkelsengen skal være låst i den faste posisjonen når barnet er uten tilsyn.
- + Vær oppmerksom på faren fra åpen ild eller andre kilder for sterk varme, som elektriske varmeovner, gassovner osv. i nærheten av barnesengen (sprinkelseng og suspendert seng).
- + IKKE bruk sprinkelsengen hvis noen deler mangler, er skadet eller ødelagt. Ta kontakt med Joolz for reservedeler og instruksjonsmanualer om nødvendig. Ikke skift ut noen deler.
- + Bare bruk madrassen som selges med sprinkelsengen, ikke legg til en annen madrass på denne, kvelningsfare.

VEDLIKEHOLDS-/VASKEANVISNINGER

Stoffdelene kan tas av og maskinvaskes. Bruk aldri blekemiddel eller andre kjemiske rengjøringsmidler. Behandle hjulene og metalldelene med silikonspray med jevne mellomrom (ca. en gang i måneden), for å sikre at barnevognen fortsetter å rulle friksjonsfritt.



Aluminumsdelene til Joolz Day⁵ barnevognen er anodisert for å beskytte de mot ytre påvirkninger som korrosjon. Aluminiumsdelene med belegg er følsomme for sure rengjøringsmidler eller fett, noe som kan forårsake flekker og misfarging av aluminumsdelene. Vi råder deg derfor til å rengjøre aluminiumsdelene på barnevognen din med varmt vann og en myk klut.

Sikkerhet var en viktig faktor under utviklingen av Joolz Day⁵. Våre produkter er oppfyller derfor følgende sikkerhetsstandarder:

Europe:
EN 1888-2:2018 & EN 1466:2023
United States:
ASTM F833-21, ASTM F2050-19
Canada: SOR/2023-101
Australia: AS 2088: 2022

Besøk joolz.com, facebook.com/myjoolz eller ta kontakt med forhandleren din for spørsmål og/eller kommentarer.

TÄRKEÄÄ: LUE NÄMÄ OHJEET HUOLELLISESTI ENNEN KÄYTTÖÄ JA PIDÄ NE TALLESSA MYÖHEMPÄÄ TARVETTA VARTEN. NOUDATA VALMISTAJAN OHJEITA.

VAROITUS

YLEISTÄ

- + Älä koskaan jätä lasta ilman valvontaa.
- + Varmista ennen käyttöä, että kaikki lukituslaitteet on lukittu.
- + Vältä henkilövahingot varmistamalla, että lapsi/lapset pidetään poissa liikkuvien osien luota, kun säädät, avaat ja taitat kokoon tätä tuotetta.
- + Tarkasta, että kantokopan, istuinosan tai turvaistuimen kiinnityslaitteet on asianmukaisesti kiinnitetty ennen käyttöä.
- + Tämä tuote ei sovellu juoksemiseen tai luistelemiseen.
- + Istuin on tarkoitettu 6 kuukauden -- 4 vuoden ikäisille lapsille TAI enintään 22 kg niin, että lapsen pituus on enintään 100 cm, kumpi tuleekaan vastaan aiemmin.
- + Jarrut on aina kytkettävä päälle, kun laitat lasta rattaisiin tai otat pois niistä.
- + Mahdollinen työntöaisaan ja/ tai niskatuen taakse ja/tai ajoneuvon sivulle kiinnitetty kuorma vaikuttaa ajoneuvon vakauteen.
- + Tarkista rattaiden runko, kantokoppa, istuinosa ja lisävarusteet säännöllisesti vaurioiden ja kulumisen merkkien varalta.
- + Kantokoppa tai istuinosa pystyy kantamaan vain yhden lapsen kerrallaan.
- + Käytä vain Joolzin toimittamia tai hyväksymiä turvaistuimia, vaihto- tai varaosia.
- + Ostoskorin enimmäispaino on 10 kg.

- + Varmista, että jarrupoljin painetaan pohjaan asti jarrua käytettäessä.
- + Lukitse aina etupyörien kääntölukko, ennen kuin taitat rattaat kokoon. Tämän laiminlyönti voi aiheuttaa renkaiden vääntymistä, erityisesti kuumassa ympäristössä.
- + Kuristumisvaara: Kaikki asennusosat tulee aina kiristää kunnolla ja varo ettei ruuveja ole löysällä, koska lapsi voi jäädä puristuksiin ruumiinosiin tai vaatteisiin (esim. narut, kaulakorut, vauvojen nukkejen nauhat jne.

ISTUINOSA - YLEISTÄ

- + Älä anna lapsesi/lastesi leikkiä tällä tuotteella
- + Istuinosayksikkö ei sovellu alle 6 kuukauden ikäisille lapsille.
- + Vältä putoamisen tai liukumisen aiheuttama vakava henkilövahinko. Käytä aina turvajärjestelmää.
- + Joolz Day⁵ -kantokoppa ja istuinosa ovat yhteensopivia vain Joolz Day⁵.
- + Turvaistuimet, käytettynä yhdessä rungon kanssa, eivät korvaa makuuosaa tai sänkyä. Mikäli haluat laittaa lapsesi nukkumaan, turvaistuin on asetettava sopivaan lapsensänkyyn, sänkyyn tai hyväksytyyn nukkumatilaan lapsesi vaatimusten mukaisesti.

KANTOKOPALLE - YLEISTÄ

- + Tämä tuote sopii vain lapselle, joka ei osaa istua ilman apua.
- + Älä käytä tuotetta, jos jokin osa on rikki, repeytynyt tai puuttuu, ja käytä vain valmistajan hyväksymiä varaosia.

- + Käytä vain tukevalla, vaakatasossa olevalla ja kuivalla pinnalla.
- + Käytä vain Joolzin toimittamaa patjaa. Älä laita lisäpatjaa Joolzin toimittaman patjan päälle.
- + Lisäosien asettaminen tuotteeseen voi aiheuttaa tukehtumisen.
- + Älä aseta tuotetta toisen tuotteen lähelle, joka voisi edustaa tukehtumis- tai kuristumisvaaraa, esim. rihmat, kaihtimien/verhojen nyörit jne.
- + Joolz Day⁵ -kantokoppa sopii vain lapselle, joka ei osaa istua ilman apua, kääntyä ympäri, eikä pysty työntämään itseään kontalleen. Lapsen suurin paino saa olla: 9 kg.
- + Patjan enimmäispaksuus: 30 mm.

KANTOKOPALLE

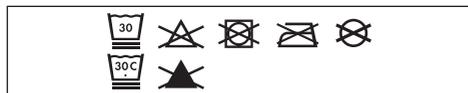
- + Älä anna muiden lasten leikkiä valvomatta lähellä kantokoppaa.
- + Älä käytä, jos jokin kantokopan osaan vahingoittunut, repeytynyt tai puuttuu.
- + Säilytä Joolz Day⁵ -istuinta poissa avotulesta ja muista lämmönlähteistä.
- + Käytä vain Joolzin toimittamaa patjaa. Älä laita lisäpatjaa Joolzin toimittaman patjan päälle.
- + Kantokopan kahvat ja pohja on tarkistettava säännöllisesti vaurioiden tai kulumisen merkkien varalta.
- + Varmista aina, että turvakaari on asianmukaisesti kiinnitetty kantokoppaan ennen käyttöä.
- + Lapsen pää kantokopassa ei saa koskaan olla vartaloa alempana.
- + Ylikuumentuminen voi vaarantaa lapsen hengen! Ota huomioon ympäristön lämpötila ja lapsen vaatteet ja varmista, että lapsella ei ole liian kylmä tai liian kuuma.

KANTOKOPALLE - KÄYTETTÄESSÄ PINNASÄNKYNÄ

- + Älä käytä tätä tuotetta, ennen kuin olet ensin lukenut käyttöohjeet.
- + Lopeta tuotteen käyttö heti, kun lapsi osaa istua, polvistua tai vetää itsensä ylös. Ailempaa asentoa on käytettävä silloin.
- + Tuote tulee sijoittaa vaakasuoralle lattialle.
- + Lasten ei saa antaa leikkiä ilman valvontaa pinnasängyn läheisyydessä.
- + Pinnasänky tulee lukita kiinteään asentoon, kun lapsi jätetään ilman valvontaa.
- + Ole tietoinen avoimen tulen ja muiden voimakkaan lämmönlähteiden, kuten sähköpalojen, kaasupalojen jne. vaarasta pinnasängyn (sängyn ja ripustettavan sängyn) läheisyydessä.
- + ÄLÄ käytä pinnasänkyä, jos jokin osa puuttuu, on vaurioitunut tai rikki. Ota yhteyttä Joolz varaosien ja ohjekirjallisuuden saamiseksi tarvittaessa. Älä vaihda osia.
- + Lopeta tuotteen käyttö heti, kun lapsi osaa istua, polvistua tai vetää itsensä ylös.

KUNNOSSAPITO-/ PESUOHJEET

Kankaat ovat irrotettavia ja konepestäviä. Älä käytä valkaisuainetta tai muita kemiallisia puhdistusaineita. Käsittele säännöllisesti (noin kerran kuukaudessa) pyörät ja metalliosat silikonisuihkeella varmistaaksesi, että rattaasi toimivat edelleen moitteettomasti.



Day⁵-rattaiden alumiiniosat on pinnoitettu ulkoisilta vaikutuksilta, kuten korroosiolta, suojaamiseksi. Pinnoitetut alumiiniosat ovat herkkiä happamille puhdistusaineille tai rasvalle, jotka voivat värjätä ja haalistaa alumiiniosia. Siksi suosittelimme puhdistamaan rattaidesi alumiiniosat lämpimällä vedellä ja pehmeällä liinalla.

Turvallisuus oli tärkeä näkökohta koko Joolz Day⁵-rattaiden kehitysprosessin ajan. Täten tuotteemme täyttävät seuraavat turvastandardit:

Europe:
EN 1888-2:2018+AI:2022, EN 1466:2023,
EN1130-2019 & EN16890:2017+AI:2021
United States:
ASTM F833-21 & ASTM F2050-19
Canada: SOR/2023-101
Australia: AS 2088: 2022

Käy sivustolla joolz.com, [facebook.com/myjoolz](https://www.facebook.com/myjoolz) tai ota yhteyttä myyjäsi, jos sinulla kysyttävää ja/tai huomioitavaa.

DANSK

VIGTIGT: LÆS DISSE INSTRUKTIONER OMHYGGELIGT FØR BRUG, OG GEM DEM TIL FREMTIDIG REFERENCE. FØLG PRODUCENTENS INSTRUKTIONER.

⚠ ADVARSEL

GENERELT

- + Lad aldrig barnet være uden opsyn.
- + Før brug skal alle låseanordninger aktiveres.
- + For at undgå skader skal du sikre dig, at dit barn/dine børn holdes på afstand, når dette produkt justeres, klappes ud og klappes sammen
- + Kontrollér før brug, at monteringsenhederne til babyliften eller autosædet er korrekt i indgreb.
- + Dette produkt egner sig ikke til løb eller skøjteløb.
- + Sædeenheden er beregnet til børn fra 6 måneder til 4 år, ELLER op til en maksimal vægt på 22 kg med en maksimal højde på 100 cm. Alt efter om barnet falder for aldershøjde eller vægtgrænsen først.
- + Sørg for, at bremsepedalen er helt indkøbet, når du bremser.
- + Enhver belastning, der er fastgjort til trækstangen og/eller på bagsiden af ryglænet og/eller på siderne af køretøjet, vil påvirke køretøjets stabilitet.
- + Kontrollér klapvognsstellet, babyliften, sædet og tilbehøret med jævne mellemrum for tegn på skader og slitage.
- + Babyliften eller sædet er kun beregnet til ét barn ad gangen.
- + Brug kun autosæder, udskiftningseller reservedele og tilbehør, der er leveret eller godkendt af Joolz.
- + Indkøbskurven må højst veje 10 kg.
- + Sørg for, at bremsepedalen er helt indkøbet, når du bremser
- + Aktivér altid forhjulenes drejelås,

inden klapvognen klappes sammen. Gør man ikke det, risikerer man, at dækkene bliver deformeret, særligt i varme miljøer.

- + Risiko for kvælning. Alle samlingsbeslag bør altid være korrekt strammet til og der skal udvises forsigtighed med, at ingen skruer er løse, da et barn kunne blive fanget med en del af kroppen eller tøjet (f.eks. snore, halskæder, bændler til babylegetøj, etc.).

SÆDET - GENERELT

- + Dit barn/dine børn må ikke lege med dette produkt
- + Sædeenheden er ikke egnet til børn under 6 måneder.
- + Undgå at falde eller skride ud, da det kan medføre alvorlige skader Brug altid selesystemet.
- + Joolz Day⁵ sædet er kun kompatibel med Joolz Day⁵
- + Autosæder, der bruges sammen med et stel, må ikke træde i stedet for en barneseng eller en seng. Hvis dit barn får behov for at sove, skal det placeres i en egnet tremmeseng, seng eller et godkendt soveområde, der opfylder dit barns krav.

BABYLIFTEN - GENERELT

- + Dette produkt er kun egnet til børn, der ikke kan sidde op uden støtte.
- + Brug ikke produktet, hvis en del er ødelagt, revet eller mangler, og brug kun reservedele, der er godkendt af producenten.
- + Må kun benyttes på en fast, vandret, plan og tør overflade.

- + Brug kun den madras, der medfølger fra Joolz. Læg ikke ekstra madrasser oven på den madras, der medfølger fra Joolz.
- + Placering af yderligere emner i produktet kan medføre kvælning.
- + Anbring ikke produktet nær noget andet produkt, der kunne udgøre en fare for kvælning eller strangulering, f.eks. snore, persienne-/gardinsnore, etc.
- + Joolz Day⁵-babyliften er kun egnet til børn, der endnu ikke selv kan sidde op, rulle rundt eller skubbe sig selv op på hænder og knæ. Maksimal vægt for barnet: 9 kg.
- + Maksimal madrastykkelse: 30 mm.

BABYLIFTEN - NÅR DEN BRUGES SOM BARNSENG

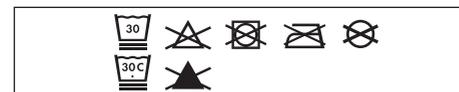
- + Andre børn må ikke lege uden opsyn i nærheden af babyliften.
- + Må ikke benyttes, hvis nogen af babyliftens dele er defekte, ødelagte, slidte eller mangler
- + Hold Joolz Day⁵ på afstand af åben ild og andre varmekilder.
- + Brug kun den madras, der medfølger fra Joolz. Læg ikke ekstra madrasser oven på den madras, der medfølger fra Joolz.
- + Babyliftens håndtag og bund skal kontrolleres regelmæssigt for tegn på skader og slid.
- + Før brug skal du altid sørge for, at sikkerhedsbøjlen er korrekt sat på babyliften
- + I babyliften må barnet aldrig have hovedet lavere end kroppen
- + Overophedning kan udgøre en fare for dit barn! Tag højde for den omgivende temperatur og barnets tøj, og sikr, at barnet ikke er for kold eller varm.

BABYLIFTEN - FOR BRUG AF PRODUKTET SOM TREMMESENG

- + Anvend ikke dette produkt uden at læse brugsanvisningen først.
- + Stop med at anvende produktet så snart barnet kan sidde eller ligge på knæ eller trække sig selv op. Den lavere position bør så anvendes.
- + Produktet skal placere på et horisontalt underlag.
- + Børn må ikke få lov til at lege uden opsyn i nærheden af barnesengen.
- + Brnesengen skal låses i fast stilling, når barnet efterlades uden opsyn.
- + Vær opmærksom på risikoen ved åben ild eller andre kraftige varmekilder, såsom elektriske varmeovne, gasovne, etc. I nærheden af tremmesengen (barneseng eller ophængt seng).
- + Anvend IKKE barnesengen, hvis nogen dele mangler, er beskadiget eller istykker. Kontakt Joolz for udsiftningsdele og instruktiv litteratur om nødvendigt. æt ikke andre dele istadet.
- + Anvend kun madrassen, der blev solgt med denne barneseng og tilføj ikke endnu en madras til denne, kvælningsfare.

VEDLIGEHOLDELSE/ VASKEINSTRUKTIONER

Stofferne kan tages af og maskinvaskes. Undlad brug af blegemidler eller kemiske rengøringsmidler. Hjul og metaldele skal med jævne mellemrum (ca. én gang om måneden) behandles med silikonespray, så klapvognen bliver ved med at køre problemfrit.



Aluminiumsdelene på din Day⁵-klapvogn er coatede, så de er beskyttet mod eksterne påvirkninger som f.eks. rust. Coatede aluminiumsdele er sårbare over for syreholdige rengøringsmidler og fedt, hvilket kan forårsage pletter og misfarvning af aluminiumsdelene. Det anbefales derfor at rengøre klapvognens aluminiumsdele med varmt vand og en blød klud.

Sikkerheden har været en vigtig prioritet i udviklingen af Joolz Day⁵. Vores produkter opfylder således følgende sikkerhedsstandarder:

Europe:
EN 1888-2:2018 & EN 1466:2023
United States:
ASTM F833-21, ASTM F2050-19
Canada: SOR/2023-101
Australia: AS 2088: 2022

Besøg joolz.com, [facebook.com/myjoolz](https://www.facebook.com/myjoolz), eller kontakt din forhandler for eventuelle spørgsmål og/eller kommentarer.

ВАЖНО: ВНИМАТЕЛЬНО ПРОЧИТАЙТЕ ДАННУЮ ИНСТРУКЦИЮ ПЕРЕД ИСПОЛЬЗОВАНИЕМ ИЗДЕЛИЯ, И СОХРАНИТЕ ЕЕ ДЛЯ ДАЛЬНЕЙШЕГО ИСПОЛЬЗОВАНИЯ. СОБЛЮДАЙТЕ ИНСТРУКЦИЮ ПРОИЗВОДИТЕЛЯ.

⚠ ПРЕДУПРЕЖДЕНИЕ

ОБЩИЕ

- + Никогда не оставляйте ребенка без присмотра.
- + Перед использованием изделия убедитесь, что все блокировочные устройства задействованы.
- + Во избежание травм при регулировке, раскладывании и складывании изделия убедитесь в том, что ребенок (дети) не находится вблизи него.
- + Перед использованием убедитесь, что крепежные приспособления люльки, сиденья или автокресла правильно закреплены.
- + Не используйте данное изделие во время бега или катания на коньках.
- + Данное сиденье предназначено для детей в возрасте старше 6 месяцев до 4 лет ИЛИ весом не более 22 кг не выше 100 см, в зависимости от того, какое из ограничений будет достигнуто первым.
- + Когда вы кладете ребенка в коляску или вынимаете его из нее, обязательно фиксируйте колеса тормозом.
- + Любой груз, прикрепленный к рукоятке и (или) к задней части спинки, и (или) по бокам коляски, будет влиять на ее устойчивость.
- + Регулярно проверяйте шасси коляски, люльку, сиденье и принадлежности на наличие признаков повреждений и износа.
- + В люльке и сиденье можно одновременно переносить только одного ребенка.
- + Используйте только те автокресла, сменные или запасные части и принадлежности, которые поставляются или одобрены компанией Joolz.
- + Максимальный вес корзины для покупок составляет 10 кг/22 фунтов.
- + При применении тормоза убедитесь, что педаль тормоза полностью нажата.
- + Перед складыванием коляски всегда применяйте поворотный замок для передних колес. Несоблюдение этого правила может привести к деформации шин, особенно в условиях жаркого климата.
- + Опасность удушья: все монтажные фитинги всегда должны быть затянуты должным образом, и следует следить за тем, чтобы не были ослаблены винты, так как ребенок может защемить части тела или одежды (например, шнуры, ожерелья, ленты для детских пустышек и т. д.).

СИДЕНЬЕ - ОБЩИЕ

- + Не позволяйте ребенку (детям) играть с изделием.
- + Данное сиденье не подходит для детей в возрасте до 6 месяцев.
- + Не допускайте серьезного травмирования ребенка вследствие его падения или выскальзывания из коляски. Всегда используйте систему фиксации.
- + Люлька и сиденье Joolz Day⁵ совместимы исключительно с шасси Joolz Day⁵.
- + Автокресла, которые используются в сочетании с шасси, не могут заменить собой люльку или кровать. Если вашему ребенку нужно поспать, его следует поместить в подходящую детскую кроватку, кровать или надлежущую спальную зону, оборудованную в соответствии с потребностями вашего ребенка.

ЛЮЛЬКИ - ОБЩИЕ

- + Данное изделие предназначено исключительно для детей, которые не могут самостоятельно сидеть.
- + Не используйте продукт, если какая-либо деталь сломана, порвана или отсутствует, и используйте только запасные части, одобренные производителем.
- + Используйте только на сухой и твердой горизонтальной поверхности.
- + Используйте только те матрасы, которые предоставляет компания Joolz. Не кладите дополнительный матрас поверх матраса, предоставленного компанией Joolz.
- + Не размещайте изделие рядом с другими изделиями, которые могут представлять опасность

- удушения, например, веревки, шнуры жалюзи или штор и т. п.
- + Люлька Joolz Day⁵ предназначена исключительно для детей, которые не могут сидеть без посторонней помощи, переворачиваться и стоять, опираясь на руки и колени. Максимальная масса тела ребенка: 9 кг/20 фунтов.
- + Максимальная толщина матраса: 30 мм.

ДЛЯ ЛЮЛЬКИ

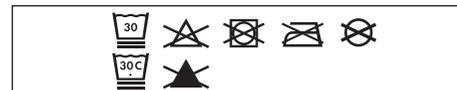
- + Не позволяйте другим детям играть рядом с люлькой без присмотра.
- + Не используйте люльку, если какая-либо ее часть сломана, разорвана или отсутствует.
- + Храните Joolz Day⁵ вдали от открытого пламени и других источников тепла.
- + Используйте только те матрасы, которые предоставляет компания Joolz. Не кладите дополнительный матрас поверх матраса, предоставленного компанией Joolz.
- + Ручки и дно люльки следует регулярно проверять на наличие признаков повреждения и износа.
- + Перед использованием обязательно проверяйте правильность присоединения бампера к люльке.
- + В люльке голова ребенка не должна располагаться ниже тела.
- + Перегрев представляет опасность для жизни Вашего ребенка! Учитывайте температуру окружающей среды и одежду ребенка и следите за тем, чтобы ему не было слишком холодно или слишком жарко.

ИСПОЛЬЗОВАНИЕ ИЗДЕЛИЯ В КАЧЕСТВЕ ДЕТСКОЙ КРОВАТКИ

- + Не используйте это изделие без предварительного ознакомления с инструкцией по использованию.
- + Прекратите использование изделия, как только ребенок сможет садиться, вставать на колени или подтягиваться. В таком случае следует использовать нижнее положение.
- + Изделие должно быть размещено на горизонтальном полу.
- + Изделие должно быть размещено на горизонтальном полу.
- + Детям не разрешается играть без присмотра вблизи детской кроватки.
- + Помните о риске открытого огня и других источников сильного тепла, таких как электрические плиты, газовые горелки и т. д., в непосредственной близости от детской кроватки (кроватки и подвесной кровати).
- + НЕ используйте кроватку, если какие-либо детали отсутствуют, повреждены или сломаны. Свяжитесь с Joolz для получения запасных частей и учебной литературы, если это необходимо. Не заменяйте детали.
- + Не используйте более одного матраса в изделии (детской кроватке или подвесной кроватке).

ТКАНЬ НЕОБХОДИМО ОЧИЩАТЬ ТЕПЛОЙ ВОДОЙ С МЫЛОМ.

Ткани съемные, их можно стирать в стиральной машине. Никогда не используйте отбеливатель или другие химические моющие средства. Периодически (примерно раз в месяц) обрабатывайте колеса и металлические детали силиконовой смазкой для увеличения срока службы коляски.



Алюминиевые детали коляски Day⁵ имеют защитное покрытие от внешних воздействий, таких как коррозия. Не рекомендуется проводить обработку алюминиевых деталей с защитным покрытием кислотными моющими средствами или смазкой, так как это может привести к появлению пятен и изменению их цвета. Поэтому мы рекомендуем очищать алюминиевые детали коляски при помощи теплой воды и мягкой ткани.

При разработке коляски Joolz Day⁵ безопасность всегда была приоритетной задачей. Поэтому наши продукты соответствуют следующим стандартам безопасности:

Europe:
EN 1888-2:2018+A1:2022, EN 1466:2023,
EN1130-2019 & EN16890:2017+A1:2021
United States:
ASTM F833-21 & ASTM F2050-19
Canada: SOR/2023-101
Australia: AS 2088: 2022

Посетите joolz.com, [facebook.com/mujoolz](https://www.facebook.com/mujoolz) или обратитесь к продавцу для решения любых вопросов и (или) оставления комментариев.

WAŻNE: ZAPOZNAJ SIĘ Z NINIEJSZĄ INSTRUKCJĄ I ZACHOWAJ JĄ W CELU UŻYCIA W PRZYSZŁOŚCI. POSTĘPUJ ZGODNIE Z INSTRUKCJAMI PRODUCENTA.

OSTRZEŻENIE OGÓLNE

- + Nigdy nie zostawiaj dziecka bez opieki.
- + Przed rozpoczęciem użytkowania należy sprawdzić, czy wszystkie zamocowania zostały założone prawidłowo.
- + Aby uniknąć obrażeń, należy upewnić się, że dziecko nie znajduje się w pobliżu produktu podczas jego składania i rozkładania.
- + Przed użyciem należy sprawdzić, czy gondola, siedzisko lub urządzenie mocujące foteliki samochodowe są odpowiednio przypięte.
- + Ten produkt nie jest odpowiedni do biegania ani do jazdy na rolkach.
- + Fotelik jest przeznaczony dla dzieci w wieku od 6 miesięcy do 4 lat, LUB o maksymalnej wadze ciała 22 kg o maksymalnym wzroście 100 cm. Fotelik nie nadaje się dla dzieci, które spełniają co najmniej jedno z powyższych kryteriów.
- + Podczas wkładania lub wyjmowania dziecka z wózka należy zawsze zaciągnąć hamulce.
- + Wszelkie obciążenie zamocowane do drążka i/lub z tyłu oparcia, i/lub po bokach wózka będą mieć wpływ na jego stabilność.
- + Podwozie, gondola, siedzisko i akcesoria wózka należy regularnie sprawdzać pod kątem oznak uszkodzeń i zużycia.
- + W gondoli lub siedzisku może znajdować się tylko jedno dziecko.
- + Należy używać wyłącznie fotelików samochodowych, części zamiennych

- i akcesoriów dostarczonych lub zatwierdzonych przez Joolz.
- + Maksymalny ciężar koszyka na zakupy wynosi 10 kg.
- + Podczas blokowania hamulca upewnić się, że jego pedał został całkowicie wciśnięty.
- + Składając wózek, należy zawsze zabezpieczać przednie koła blokadą obrotową. W przeciwnym razie opony kół mogą ulec odkształceniu, szczególnie w wysokich temperaturach.
- + Zagrożenie zadławieniem: Wszystkie łączniki montażowe powinny być zawsze odpowiednio dokręcone i należy uważać, aby nie było obluźowanych wkrętów, ponieważ może dojść do uwięzienia części ciała lub ubrania dziecka (np. sznurków, naszyjników, wstążek smoczka dziecka, itp.).

FOTELIK - OGÓLNE

- + Dziecko nie powinno bawić się produktem.
- + Fotelik nie jest odpowiedni dla dzieci w wieku poniżej 6 miesięcy.
- + Należy zapobiegać poważnym urazom mogącym wystąpić w wyniku wypadnięcia lub wyślizgnięcia. Zawsze należy używać systemu zabezpieczającego.
- + Gondola i fotelik samochodowy Joolz Day⁵ pasują wyłącznie do podwozia Joolz Day⁵.
- + Foteliki samochodowe używane z podwoziem nie zastępują gondoli lub łóżeczka. Jeżeli dziecko

będzie spać, należy je położyć w odpowiednim łóżeczku, gondoli lub części zatwierdzonej do spania, w zależności od potrzeb dziecka.

GONDOLA - OGÓLNE

- + Produkt jest przeznaczony wyłącznie dla dzieci, które nie potrafią samodzielnie siadać.
- + Nie używaj produktu, jeśli jakkolwiek część jest uszkodzona, rozdarta lub brakuje i używaj tylko części zamiennych zatwierdzonych przez producenta.
- + Należy używać wyłącznie na stabilnej, poziomej i suchej powierzchni.
- + Należy używać wyłącznie materaca Joolz. Nie wkładać dodatkowego materaca na materac Joolz.
- + Umieszczenie dodatkowych elementów w produkcie może spowodować zadławienie dziecka.
- + Nie umieszczaj produktu w pobliżu innego produktu, który może stwarzać niebezpieczeństwo uduszenia lub zadławienie, np. sznurków, sznurów do żaluzji/zaston, itp.
- + Gondola Joolz Day⁵ jest przeznaczona wyłącznie dla dzieci, które nie potrafią samodzielnie siadać, przekręcać się i podnosić się do góry na rękach i kolanach. Maksymalna waga dziecka: 9 kg.
- + Maksymalna grubość materaca: 30 mm.

GONDOLA - DOTYCZY GONDOLI

- + Inne dzieci nie powinny bawić się bez opieki w pobliżu gondoli.
- + Inne dzieci nie powinny bawić się bez opieki w pobliżu gondoli.
- + Produkt Joolz Day⁵ należy przechowywać z dala od otwartego ognia i innych źródeł ciepła.
- + Należy używać wyłącznie materaca Joolz. Nie wkładać dodatkowego

- materaca na materac Joolz.
- + Należy systematycznie sprawdzać, czy uchwyt i dno gondoli nie uległy uszkodzeniu lub zużyciu.
- + Przed użyciem gondoli należy zawsze sprawdzić, czy pałąk został założony prawidłowo.
- + Główka dziecka w gondoli nigdy nie powinna znajdować się niżej niż tułów.
- + Przegrzewanie może zagrażać życiu Twojego dziecka! Należy uwzględnić temperaturę otoczenia oraz ubiór dziecka i upewnić się, że dziecku nie jest ani za zimno, ani za ciepło.

DO UŻYWANIA PRODUKTU JAKO ŁÓŻECZKA

- + Przed pierwszym użyciem tego produktu przeczytać instrukcję.
- + Zaprześcić używania tego produktu, gdy tylko dziecko będzie mogło usiąść lub uklęknąć bądź się podciągnąć. Od tego momentu należy korzystać z dolnej pozycji.
- + Produkt ustawić na poziomej podłodze.
- + W pobliżu łóżeczka dzieci nie mogą bawić się bez nadzoru.
- + Gdy dziecko pozostaje bez opieki, łóżeczko powinno być zablokowane w stałym położeniu.
- + Pamiętać o zagrożeniu stwarzanym przez otwarty ogień i inne źródła wysokich temperatur, takie jak pożary grzejników elektrycznych, piecyków gazowych, itp., znajdujących się w bliskim sąsiedztwie łóżeczka (łóżeczka lub łóżeczka podwieszanego).
- + NIE używać łóżeczka, jeżeli brakuje w nim jakichkolwiek części, są one uszkodzone lub złamane. W razie potrzeby skontaktować się z firmą Joolz w sprawie części zamiennych i materiałów instruktażowych. Nie montować części zastępczych.
- + Używać tylko materaca

pl
sprzedawanego z tym łóżeczkiem, nie dodawać do niego drugiego materaca, gdyż grozi to zadławieniem dziecka.

INSTRUKCJA KONSERWACJI/ CZYSZCZENIA

Tkaninę można odpiąć i prać w pralce. Nie wolno stosować wybielaczy ani innych chemicznych detergentów. Aby wózek poruszał się płynnie, okresowo (w przybliżeniu raz na miesiąc) smarować koła i metalowe części silikonem w sprayu.



Aluminiowe części wózka spacerowego Day⁵ są malowane, co chroni je przed wpływem czynników zewnętrznych, np. korozją. Malowane części są podatne na działanie kwasowych środków czyszczących lub smaru, które mogą spowodować plamy i odbarwienie aluminiowych części. Z tego względu zalecamy czyszczenie aluminiowych części wózka ciepłą wodą z mydłem i miękką szmatką.

W całym procesie projektowania i produkcji wózka Joolz Day⁵ przywiązywano najwyższą wagę do bezpieczeństwa. Dlatego nasze produkty spełniają wymagania następujących norm bezpieczeństwa:

Europe:
EN 1888-2:2018+A1:2022, EN 1466:2023,
EN1130-2019 & EN16890:2017+A1:2021
United States:
ASTM F833-21 & ASTM F2050-19
Canada: SOR/2023-101
Australia: AS 2088: 2022

Aby uzyskać odpowiedzi na pytania lub przedstawić swoje uwagi odwiedź naszą stronę internetową joolz.com, facebook.com/myjoolz lub skontaktuj się ze sprzedawcą produktu.

ВАЖЛИВО: УВАЖНО ПРОЧИТАЙТЕ ЦЮ ІНСТРУКЦІЮ ПЕРЕД КОРИСТУВАННЯМ ЦИМ ВИРОБОМ ТА ЗБЕРІГАЙТЕ ЇЇ ДЛЯ ПОДАЛЬШОГО ВИКОРИСТАННЯ. ДОТРИМУЙТЕСЯ ІНСТРУКЦІЇ ВИРОБНИКА.

⚠ ПОПЕРЕДЖЕННЯ

ЗАГАЛЬНИЙ

- + Ніколи не залишайте свою дитину без нагляду.
- + Перед використанням переконайтеся, що всі запірні пристрої закріплені.
- + Щоб уникнути травм при регулюванні, розкладанні і складанні виробу, переконайтеся в тому, що дитина (діти) не знаходиться поблизу нього.
- + Перед використанням переконайтеся, що колиска, сидіння або автокрісло закріплено належним чином.
- + Не використовуйте цей виріб під час бігу або катання на ковзанах.
- + Це сидіння призначене для дітей віком від 6 місяців до 4 років АБО вдагою не більше 22 кг при зрості не вище 100 см, залежно від того, яке з обмежень буде досягнуто першим.
- + Коли ви кладете дитину в візок або виймаєте її з нього, обов'язково фіксуйте колеса гальмом.
- + Будь-який вантаж, прикріплений до рукоятки і (або) до задньої частини спинки і (або) з боків візка, буде впливати на його стійкість.
- + Регулярно перевіряйте шасі візка, колиски, сидіння та приладдя ознаки пошкодження та зносу.
- + У колисці або автокріслі можна одночасно перевозити тільки одну дитину.
- + Використовуйте тільки ті автокрісла, змінні або запасні частини та приладдя, які поставляються або схвалені

компанією Joolz.

- + Максимальна вага кошика для покупок становить 10 кг/22 фунтів
- + При застосуванні гальма переконайтеся, що педаль гальма повністю натиснута.
- + Перед складанням візка завжди застосовуйте поворотний замок для передніх коліс. Недотримання цього правила може призвести до деформації шин, особливо в умовах жаркого клімату.
- + Ризик задусення: вся складальна фурнітура завжди повинна бути надійно затягнута, також слід стежити за тим, щоб не було ослаблених гвинтів, тому що дитина може зачепитися за них частинами тіла або предметами одягу (наприклад, зав'язками, намистами, стрічками для пусташок тощо).

СИДІННЯ - ЗАГАЛЬНИЙ

- + Не дозволяйте дитині (дітям) грати з цим виробом.
- + Це сидіння не підходить для дітей віком до 6 місяців.
- + Не допускайте серйозних травм внаслідок випадання або вислизання дитини з візка. Завжди використовуйте систему фіксації.
- + Колиска та сидіння Joolz Day⁵ сумісні тільки з шасі Joolz Day⁵.
- + Автокрісла, які використовуються в поєднанні з шасі, не можуть замінити собою люльку або ліжко. Якщо вашій дитині потрібно поспати, її слід помістити в відповідне дитяче ліжечко, ліжко

або належну спальну зону, обладнану відповідно до потреб вашої дитини.

КОЛИСКА - ЗАГАЛЬНЕ

- + Цей виріб призначено лише для дітей, які не можуть сидіти самостійно.
- + Не використовуйте виріб, якщо будь-яка деталь зламана, порвана або відсутня, і використовуйте лише запасні частини, схвалені виробником.
- + Використовуйте тільки на стабільній твердій, горизонтальній і сухій поверхні.
- + Використовуйте лише матрац, наданий компанією Joolz. Не кладіть додатковий матрац поверх матрацу Joolz.
- + Розміщення додаткових предметів у виробі може викликати ризик удушення.
- + Не ставте поруч з іншими виробами, які можуть становити небезпеку удушення, наприклад, мотузки, шнури жалюзі або штор тощо.
- + Колиска Joolz Day⁵ підходить лише для дітей, які не можуть сидіти самостійно, перекочуватися, а також відштовхуватися на руках і колінах. Максимальна вага дитини: 9 кг.
- + Максимальна товщина матраца: 30 мм.

ВИКОРИСТАННЯ КОЛИСКИ

- + Не дозволяйте іншим дітям грати без нагляду поруч із колискою.
- + Не використовуйте колиску, якщо будь-яка її частина пошкоджена або відсутня.
- + Не розміщуйте виробу Joolz Day⁵ біля відкритого вогню та джерел тепла.
- + Використовуйте лише матрац,

наданий компанією Joolz. Не кладіть додатковий матрац поверх матрацу Joolz.

- + Ручки та дно колиски слід регулярно перевіряти на наявність пошкоджень і зносу.
- + Перед використанням завжди перевіряйте, чи правильно з'єднано буферний брус із блоками ліжка/сидіння.
- + Голова дитини в колисці ніколи не повинна бути нижче її тіла.
- + Перегрів може становити загрозу життю дитини! Ураховуйте температуру повітря та одяг дитини. Дитині не повинно бути ні надто тепло, ні надто холодно.

ДЛЯ ВИКОРИСТАННЯ ВИРОБУ ЯК ЛІЖЕЧКА

- + Не використовуйте цей виріб без попереднього ознайомлення з інструкцією по використанню.
- + Припиніть використання виробу, щойно дитина зможе сидати, вставати на коліна або підтягуватися. В такому випадку слід використовувати нижнє положення.
- + Виріб має бути розміщено на горизонтальній підлозі.
- + Дітям забороняється грати без нагляду в безпосередній близькості від дитячого ліжечка.
- + Дитяче ліжко має бути закрито і зафіксоване, коли дитина залишається без нагляду.
- + Пам'ятайте про небезпеку відкритого вогню та інших джерел сильного тепла, таких як електричні спіральні обігрівачі, газові обігрівачі тощо, у безпосередній близькості від ліжечка (дитячого ліжечка або підвісного ліжечка).
- + НЕ використовуйте ліжечко, якщо будь-які деталі відсутні,

пошкоджені або зламані. У разі потреби зв'яжіться з Joolz для отримання запасних частин і інструкцій з використання. Не замінійте деталі.

- + Використовуйте тільки матрац, який продається з цим ліжечком, не додавайте другий матрац, це може привести до удущення.

ІНСТРУКЦІЯ З ТЕХНІЧНОГО ОБСЛУГОВУВАННЯ/ЧИЩЕННЯ

Тканини знімаються і праються в пральній машині. Ніколи не використовуйте відбілювач або інші хімічні мийні засоби. Періодично (приблизно раз на місяць) бробляйте колеса і металеві деталі силіконовою змазкою для забезпечення тривалої безвідмовної експлуатації візка.



Алюмінієві деталі візка Day⁵ мають захисне покриття від зовнішніх впливів, таких як корозія. Не рекомендується проводити обробку алюмінієвих деталей із захисним покриттям кислотними м'якими засобами або мастилом, так як це може привести до появи плям і зміни їх кольору. Тому ми рекомендуємо очищати алюмінієві деталі візка за допомогою теплої води і м'якої тканини.

При розробці візка Joolz Day⁵ безпека завжди була пріоритетним завданням. Тому наші продукти відповідають таким стандартам безпеки:

Europe:

EN I888-2:2018+AI:2022, EN I466:2023, ENI130-2019 & ENI6890:2017+AI:2021
United States:
ASTM F833-2I & ASTM F2050-19
Canada: SOR/2023-101
Australia: AS 2088: 2022
Відвідайте joolz.com, facebook.com/туjoolz або зверніться до продавця для вирішення будь-яких питань і (або) залишення коментарів.

EESTI

TÄHTIS! ENNE KASUTAMIST LUGEGE SEE JUHEND HOOLIKALT LÄBI JA HOIDKE EDASPIDI LUGEMISEKS ALLES. JÄRGIGE TOOTJA JUHISEID.

⚠ HOIATUS ÜLDINE

- + Ärge jätke last kunagi järelevalveta
- + Veenduge enne kasutamist, et kõik lukustusvahendid oleksid rakendatud
- + Vigastuste vältimiseks veenduge, et laps/lapsed oleksid toote reguleerimise, lahitõmbamise ja kokkupaneku ajal eemal.
- + Kontrollige enne kasutamist, kas kookoni, istme või turvatooli kinnitused on korralikult kinnitatud
- + See toode ei sobi jooksmiseks või rullisutamiseks.
- + See iste on mõeldud lastele alates 6. elukuust kuni 4. eluaastani VÕI maksimaalse kaaluga 22 kg ning maksimaalse pikkusega 100 cm, olenevalt sellest, kumb saabub varem.
- + Lapse kärke asetamisel ja sealt väljavõtmisel peavad pidurid olema alati peal.
- + Igasugune liikumisvahendi käepideme, seljatoe ja/või külje külge asetatud raskus mõjutab selle stabiilsust.
- + Kontrollige korrapäraselt jalutuskäru raami, kookonit, istet ja tarvikuid, et märgata kahjustuste ja rebenemise märke.
- + Kookonisse või istmele tohib korrada panna ainult ühe lapse.
- + Kasutage ainult Joolzi tarnitud või soovitatud turvatoole, asendus- või varuosi ja tarvikuid.
- + Ostukorvi maksimaalne kaal on 10 kg.
- + Veenduge, et piduripedaal oleks

piduri rakendamisel täielikult haardunud.

- + Enne jalutuskäru kokkupanemist tuleb alati esirattad pööratava luku abil lukustada. Muidu võite põhjustada rehvide deformeerumise, eriti soojas keskkonnas.
- + Lämpumisoht: Kõiki kokkupanemistarvikuid tuleb alati korralikult pingutada ja hoolitseda selle eest, et kruvid ei oleks lahti, sest laps võib kas oma kehasade või riietega nende külge kinni jääda (nt paelad, kaelakeed, lutinöörid jne).

ISTE - ÜLDINE

- + Ärge lubage lapsel/lastel selle tootega mängida.
- + See iste ei sobi alla 6-kuustele lastele.
- + Vältige väljakukkumisest või väljalibisemisest tingitud raskeid vigastusi. Kasutage alati kinnitussüsteemi.
- + Joolz Day⁵ iste ühilduvad ainult Joolz Day⁵
- + Turvatool ei asenda jalutuskäru raamil kasutamisel kookonit ega korvi. Kui lapsel on uneaeg, tuleks ta panna sobivasse hälli, voodisse või sobivasse magamiskohta vastavalt teie lapse vajadustele.

KOOKON - ÜLDINE

- + See toode sobib ainult lapsele, kes ei suuda abita istuda.
- + Ärge kasutage toodet, kui mõni osa on katki, rebenenud või puudub, ja kasutage ainult tootja poolt heaks

- kiidetud varuosi.
- + Kasutage ainult tugeval ja horisontaalsel kuival tasapinnal.
- + Kasutage ainult Joolzi madratsit. Ärge pange Joolzi madratsile lisamadratsit.
- + Täiendavate esemete tootesse asetamine võib põhjustada lämbumist.
- + Ärge asetage toodet teise esemete lähedale, mis võib põhjustada lämbumist või lämbumisohtu, nt nõõrid, aknaeesriie / kardinad vms.
- + Kookon Joolz Day⁵ sobib ainult lapsele, kes ei suuda abita istuda, pöörata ega end kätele või põlvedele püsti ajada. Lapse maksimaalne kehakaal: 9 kg.
- + Madratsi maks. paksus: 30 mm.

KOOKON - KUI KASUTATAKSE KANDEKORVINA

- + Ärge lubage teistel lastel kookoni lähedal järelevalveta mängida.
- + Ärge kasutage kookonit, kui mingi selle osa on kahjustatud, purunenud, rebenenud või puudu.
- + Hoidke Joolz Day⁵ eemal lahtisest tulest ja muudest soojaallikatest.
- + Kasutage ainult Joolzi madratsit. Ärge pange Joolzi madratsile lisamadratsit.
- + Kontrollige korrapäraselt, kas kookoni sangadel või põhjal on kahjustusi või kulumismärke.
- + Enne kasutamist veenduge alati, et turvakaar oleks korralikult kookoni külge kinnitatud.
- + Kookonis oleva lapse pea ei tohi olla kunagi kehast madalamal.
- + Ülekuumenemine võib olla teie lapsele eluohtlik! Võtke arvesse keskkonnatemperatuuri ja lapse rõivastust ning veenduge, et lapsel ei ole liiga külm ega palav.

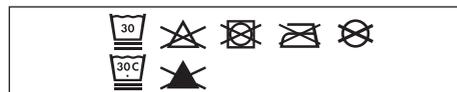
KOOKON - KUI KASUTATAKSE

VÕREVOODINA

- + Ärge kasutage toodet ilma eelnevalt juhiseid lugemata.
- + Lõpetage toote kasutamine niipea, kui laps on võimeline ise istuma, end üles tõmbama või suuteline end upitama kätele ja põlvedele.
- + Toode tuleb asetada horisontaalsele põrandale.
- + Lapsed ei tohi järelevalveta võrevoodi läheduses mängida.
- + Võrevoodi peab olema lukustatud fikseeritud asendisse, kui laps jäetakse järelevalveta.
- + Teadvustage ohtusid, mis kaasnevad lastevoodis (võrevoodi ja rippählli) lähedal paikneva lahtise tule ja muude tugevate kuumaallikatega nagu elektri- ja gaasikaminad jmt.
- + ÄRGE kasutage võrevoodit, kui osad on puudu, kahjustatud või purunenud. Vajadusel pöörduge varuosade ja juhendmaterjalide saamiseks Joolz poole. Ärge osi asendage.
- + Kasutage ainult madratsit, mis müüdi koos võrevoodiga, ja ärge lisage sellele teisi madratseid – lämbumisoht.

HOOLDUS-/PESEMISSUUNISED

Kangad on eemaldatavad ja masinas pestavad. Ärge kasutage kunagi pleegiteid ga muid keemilisi puhastusvahendeid. Pihustage ratastele ja metallosadele korrapäraselt (umbes kord kuus) silikoonpihust, et tagada jalutuskäru sujuv liikumine.



Teie Day⁵ i jalutuskäru alumiiniumosad on töödeldud, et kaitsta neid välismõjude eest, nagu näiteks korrosioon. Happelised puhastusvahendid või määrdeid võivad töödeldud alumiiniumosi kahjustada, põhjustades plekkide teket ja värvimuutust. Seetõttu soovitame puhastada jalutuskäru alumiiniumosi ooja vee ja pehme lapiga.

Ohutus on olnud kogu Joolz Day⁵ i jalutuskäru arendusprotsessi jooksul väga oluline aspekt. Seetõttu vastavad meie tooted järgmistele ohutusstandarditele:

Europe:
EN 1888-2:2018+AI:2022, EN 1466:2023,
EN1130-2019 & EN16890:2017+AI:2021
United States:
ASTM F833-21 & ASTM F2050-19
Canada: SOR/2023-101
Australia: AS 2088: 2022

Küsimuste ja/või kommentaaride korral külastage veebisaiti joolz.com või facebook.com/myjoolz või võtke ühendust edasimüüjaga.

SVARĪGI: PIRMS IERĪCES LIETOŠANAS RŪPĪGI IZLASIET ŠĪS INSTRUKCIJAS UN SAGLABĀJIET TĀS TURPMĀKAI UZZIŅAI. SEKOJIET RAŽOTĀJA NORĀDĪJUMIEM.

⚠ BRĪDINĀJUMS VISPĀRĪGA

- + Nekad neatstājiet bērnu bez uzraudzības.
- + Pirms lietošanas pārliedzinieties, vai visas fiksācijas ierīces ir saslēgtas.
- + Lai izvairītos no traumām, nodrošiniet, lai šī izstrādājuma pielāgošanas, atlocīšanas un salocīšanas laikā bērns(-i) neatrastos tā tuvumā.
- + Pirms lietošanas pārbaudiet, vai ratu kulbiņas, sēžamās daļas vai autokrēsliņa stiprināšanas ierīces ir pareizi piestiprinātas.
- + Šis izstrādājums nav piemērots šķriešanai vai slidošanai.
- + Šis sēdekļis ir paredzēts bērniem, sākot no 6 mēnešu līdz 4 gadiem VAI ar svaru līdz 22 kg garumu līdz 100 cm atkarībā no tā, kurš no šiem nosacījumiem izpildās pirmais.
- + Neliecot un izņemot bērnus, bremzēm vienmēr jābūt ieslēgtām.
- + Jebkurš ratiņu rokturim un/ vai muguras balstam un/vai sāniem piestiprinātais svars ietekmē ratiņu stabilitāti.
- + Regulāri pārbaudiet ratiņu rāmi, kulbiņu, sēžamo daļu un piederumus, vai tajos nav bojājumu un plīsumu pazīmes.
- + Ratu kulbiņu vai sēžamo daļu var izmantot vienlaicīgi tikai vienam bērnam.
- + Izmantojiet tikai Joolz piegādātus vai apstiprinātus bērnu autosēdekļiņus, rezerves daļas un piederumus.
- + Iepirkumu groza maksimālais svars ir 10 kg.

- + Izmantojot bremzes, pārliedzinieties, vai bremžu pedālis ir pilnīgi iedarbināts.
- + Salokot bērnu ratiņus, priekšējiem riteņiem vienmēr izmantojiet pagriežamo bloķētāju. Pretējā gadījumā var notikt riepu deformācija, it īpaši karstā vidē.
- + Aizrīšanās risks: visiem montāžas piederumiem vienmēr jābūt pareizi pievilkti un koptiem lai skrūves netiktu vaļā, kā bērns var vai nu ar savām ķermeņa daļām, vai pie tām piestiprinātām drēbēm pieķerties (piemēram, lentes, kaklarotas, štopes utt.).

SĒDEKLIS - VISPĀRĪGA

- + Neļaujiet bērnam(-iem) spēlēties ar šo izstrādājumu.
- + Šis sēdekļa bloks nav piemērots bērniem, kas jaunāki par 6 mēnešiem.
- + Izvairieties no nopietnām traumām, ko izraisa kritiens vai izslīdēšana. Vienmēr izmantojiet ierobežotājsistēmu.
- + Joolz Day⁵ sēžamā daļa ir saderīga tikai ar Joolz Day⁵
- + Autosēdekļiņš, ko izmanto kopā ar bērnu ratiņu rāmi, neaizstāj gulvietu vai gultu. Ja bērnam ir laiks gulēt, guldiet viņu piemērotā gultiņā, gultā vai apstiprinātā gulvietā atbilstoši bērna vajadzībām.

RAŅU KULBINA - VISPĀRĪGA

- + Šis izstrādājums ir piemērots tikai bērnam, kurš neprot patstāvīgi sēdēt.
- + Nelietojiet produktu, ja kāda detaļa ir salauzta, saplēsta vai trūkst, un izmantojiet tikai ražotāja apstiprinātas rezerves daļas.
- + Izmantojiet tikai uz stingras, horizontālas, līdzenas un sausas virsmas.
- + Izmantojiet tikai Joolz matraci. Nelieciet papildu matraci uz Joolz matrača.
- + Papildu preces produktā novietošana var izraisīt nosmakšanu.
- + Nepārvietojiet izstrādājumu tuvu objektiem, kas var izraisīt nosmakšanu vai nosmakšanas risks, piemēram, auklas, logu pārsegumi/ aizkari utt.
- + Joolz Day⁵ ratu kulbiņa ir piemērota tikai bērnam, kurš neprot patstāvīgi sēdēt, velties un atbalstīties uz rokām un ceļiem. Maksimālais bērna svars: 9 kg.
- + Matracis maks. biezums: 30 mm.

RAŅU KULBINA - JA TIEK IZMANTOTA KĀ KULBINA

- + Neļaujiet citiem bērniem spēlēties ratu kulbiņas tuvumā bez uzraudzības.
- + Nelietojiet, ja kāda ratu kulbiņas daļa ir bojāta, salauzta, saplēsta vai pazudusi.
- + Sargājiet Joolz Day⁵ no atklātas uguns un citiem siltuma avotiem.
- + Izmantojiet tikai Joolz matraci. Nelieciet papildu matraci uz Joolz matrača.
- + Regulāri pārbaudiet ratu kulbiņas rokturus un apakšējo daļu, vai tajā nav bojājumu un nodiluma pazīmes.
- + Vienmēr pirms lietošanas pārliedzinieties, vai amortizatora

stienis ir pareizi piestiprināts pie ratu kulbiņas.

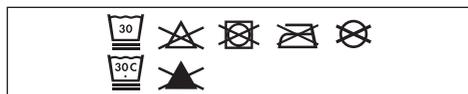
- + Bērna galva ratu kulbiņā nedrīkst atrasties zemāk par bērna ķermeni.
- + Pārkaršana var apdraudēt jūsu bērna dzīvību! Nemiet vērā gaisa temperatūru un bērna apģērbu un pārliedzinieties, ka bērnam nav pārāk auksti vai pārāk silti.

RAŅU KULBINA - IZMANTO KĀ GULTIŅU

- + Neizmantojiet produktu bez vispirms neizlasot instrukcijas.
- + Pārtrauciet produkta lietošanu tiklīdz bērns spēj pie sevis sēsties, pievilkties vai spēj uzlikt rokas uz rokām un paaudzes. Pēc tam to vajadzētu lietot zemāka pozīcija.
- + Produkts jānovieto horizontāli uz grīdu.
- + Bērnus nedrīkst ielaist bērnu gultiņā bez uzraudzības spēlēt tuvumā.
- + Bērnu gultiņai jābūt fiksētai aizslēgtai stāvoklī, ja bērns tiek atstāts bez uzraudzības.
- + Esiet informēts par ar to saistītajām briesmām netālu no gultiņas (gultiņa un šūpulis) atklāta uguns un citi spēcīgi siltuma avoti, piemēram, elektriskie un gāzes kamīni jmt.
- + NELIETOJIET bērnu gultiņu ar detaļām pazudis, bojāts vai salauzts. Ja nepieciešams skatiet rezerves daļas un instrukciju materiālus lai tiktu uz Joolz ballīti. Nenomainiet detaļas.
- + Izmantojiet tikai tādu matraci, kas pārdod ar bērnu gultiņu, un nav pievienojiet tam citus matračus - nosmakšanas risks.

INSTRUKCIJAS PAR APKOPI/ MAZGĀŠANU

Audumi ir noņemami un mazgājami veļasmašīnā. Nekad nelietojiet balinātāju vai citus ķīmiskus mazgāšanas līdzekļus. Riteņus un metāla daļas regulāri apmēram reizi mēnesī) apstrādājiet ar silikona Day5 osolu, lai bērnu ratiņi pastāvīgi darbotos nevainojami.



Day⁵ bērnu ratiņiem ir pārklājums izsardzībai pret ārēju ietekmi, piemēram, koroziju. Pārklātas alumīnija daļas ir jutīgas pret skābu tīrīšanas līdzekļu vai smērvielu iedarbību, kas var veidot traipus uz alumīnija daļām un izraisīt to krāsas maiņu. Tāpēc bērnu ratiņu alumīnija daļas ieteicams tīrīt ar siltu ūdeni un mīkstu drānu.

Drošība ir svarīgs apsvērums visā Joolz Day⁵ bērnu ratiņu izstrādes laikā. Tāpēc mūsu produktu izstrādē ir ievēroti augstākie drošības standarti:

Europe:
EN 1888-2:2018+AI:2022, EN 1466:2023,
EN1130-2019 & EN16890:2017+AI:2021
United States:
ASTM F833-21 & ASTM F2050-19
Canada: SOR/2023-101
Australia: AS 2088: 2022

Ja jums ir jautājumi un/vai komentāri, lūdzu, apmeklējiet vietni joolz.com, facebook.com/myjoolz vai sazinieties ar mazumtirgotāju.

LIETUVIŠKAI

SVARBU: PRIEŠ NAUDODAMI GAMINĮ, ATIDŽIAI PERSKAITYKITE ŠIAS INSTRUKCIJAS IR IŠSAUGOKITE JAS ATEIČIAI. LAIKYKITĖS GAMINTOJO NURODYMŲ.

⚠️ ĮSPĖJIMAS GENERAL

- + Niekada nepalikite vaiko be priežiūros.
- + Prieš pradėdami naudoti įsitinkite, kad užfiksuoti visi fiksavimo prietaisai.
- + Kad išvengtumėte sužalojimo, įsitinkite, kad kai sulankstote, išlankstote arba reguliuojate gaminį, šalia nėra vaiko/vaikų.
- + "Prieš naudodami lopšį, patikrinkite, ar tinkamai pritvirtinta kėdutė arba automobilinės kėdutės tvirtinimo įtaisai."
- + Gaminys netinka bėgimui ar čiuožimui.
- + Kėdutė skirta vaikams nuo 6 mėnesių iki 4 metų, ARBA iki ne daugiau kaip 22 kg o didžiausias ūgis – 100 cm, atsižvelgiant į tai, kas nutinka pirmiau.
- + Stabdžiai visada turėtų būti nuspausti, kai vaikas įdedamas arba išimamas.
- + Bet koks svoris ant rankenos ir (arba) nugaros atlošo ir (arba) šonų gali daryti įtaką stabilumui.
- + Reguliariai tikrinkite vežimėlio važiuoklę, lopšį, kėdutę ir priedus, ar nėra apgadinių ar įplyšimų.
- + Vienu metu lopšyje arba kėdutėje gali būti tik vienas vaikas.
- + Naudokite tik „Joolz“ tiekiamas ir patvirtintas automobilio kėdutes, pakaitines dalis ir priedus.
- + Didžiausias pirkinių krepšio svoris yra 10 kg.
- + Stabdydami, įsitinkite, ar pilnai nuspaudėte stabdžio pedalą.
- + Kai lankstote vežimėlį, visada

priekiniams ratukams naudokite pasukamąjį užraktą. Jei to nepadarysite, gali būti pažeistos padangos, kurios gali deformuotis, ypač esant aukštai temperatūrai.

- + Užspringimo pavojus: visi surinkimo priedai visada turi būti tinkamai priveržti ir prižiūrėti kad varžtai neatspalaiduotų, kaip gali vaikas arba su savo kūno dalimis, arba prie jų pritvirtintais drabužiais užkliūti (pvz., kaspiniai, karoliai, dirželiai ir pan.).

KĖDUTĖ - GENERAL

- + Neleiskite vaikui/vaikams žaisti su gaminiu.
- + Ši kėdutė netinka jaunesniems negu 6 mėnesių vaikams.
- + Saugokitės susižalojimų nukritus ar išslydus. Visada naudokite tvirtinimo sistemą.
- + „Joolz Day⁵“ lopšys ir kėdutė yra suderinami tik su „Joolz Day⁵“.
- + Automobilio kėdutės, naudojamoms kartu su rėmu, nepakeičia lopšio arba lovelės. Jei vaikui reikia miegoti, jį reikia guldyti į tinkamą lopšį, lovelę ar patvirtintą miegojimui skirtą vietą pagal vaiko poreikius.

LOPŠYS - GENERAL

- + Šis gaminys skirtas tik tokiam vaikui, kuris negali atsistėti be pagalbos.
- + Nenaudokite gaminio, jei kuri nors dalis yra sulūžusi, suplyšusi arba jos nėra, ir naudokite tik gamintojo patvirtintas atsargines dalis.
- + Naudokite tik ant tvirto,

horizontalaus lygaus ir sauso paviršiaus.

- + Naudokite tik „Joolz“ pateiktą čiuzinį. Nedėkite papildomo čiuzinio ant „Joolz“ pateikto čiuzinio.
- + Papildomos prekės prekės įdėjimas gali sukelti uždusimas.
- + Neperkelkite gaminio į kitą vietą arti objektų, kurie gali sukelti uždusimą arba uždusti pavojus, pvz., virvelės, langų uždangos/užuolaidos ir kt.
- + „Joolz Day⁵“ lopšys skirtas tik tokiam vaikui, kuris negali atsistoti be pagalbos, apsiversti ir negali atsistoti remdamasis rankomis ir keliais. Didžiausias vaiko svoris: 9 kg.
- + Čiuzinys maks. storis: 30 mm.

LOPŠYS – NAUDOJAMAS KAIP NEŠIOJIMO LOPŠYS

- + Neleiskite kitiems neprižiūrimiems vaikams žaisti šalia lopšio.
- + Nenaudokite, jei kuri nors lopšio dalis yra pažeista, sulaužyta, sugadinta arba jos nėra.
- + Laikykite „Joolz Day⁵“ atokiau nuo atvirų liepsnų ir kitų šilumos šaltinių.
- + Naudokite tik „Joolz“ pateiktą čiuzinį. Nedėkite papildomo čiuzinio ant „Joolz“ pateikto čiuzinio.
- + Lopšio rankenos ir dugnas turi būti reguliariai tikrinami, ar nėra pažeidimų ar nusidėvėjimo požymių.
- + Prieš naudodami, visada įsitinkite, kad buferio strypas tinkamai pritvirtintas prie lopšio.
- + Vaiko galvytė lopšyje niekada neturėtų būti žemiau nei vaiko kūnas.
- + Perkaitimas gali sukelti pavojų jūsų vaiko gyvybei! Atsižvelkite į aplinkos temperatūrą bei vaiko aprangą ir užtikrinkite, kad vaikui nebūtų per šalta ar per šilta.

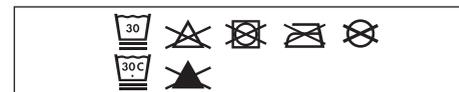
LOPŠYS – KAI NAUDOJAMA KAIP

LOVELĖ

- + Nenaudokite gaminio be prieš tai neperskaičius instrukcijų.
- + Nustokite naudoti gaminį kai tik vaikas sugeba pats atsistoti, atsikelti arba galintis uždėti rankas ant rankų ir kartos. Tada jis turėtų būti naudojamas žemesnė padėtis.
- + Gaminys turi būti dedamas horizontaliai prie grindų.
- + Vaikų negalima leisti į lovelę be priežiūros žaisti netoliese.
- + Vaikiška lovelė turi būti fiksuota padėtis, jei vaikas paliekamas be priežiūros.
- + Žinokite apie galimus pavojus šalia lovytės (lovytės ir lopšio) atvira ugnis ir kiti stiprūs šilumos šaltiniai, tokie kaip elektriniai ir dujiniai židiniai jmt.
- + **NENAUDOKITE** lovelės su dalimis dingęs, sugadintas arba sulūžęs. Jei reikia žr. atsargines dalis ir instrukcijų medžiagą patekti į Joolzo vakarėlį. Nekeiskite dalių.
- + Naudokite tik tokį čiuzinį parduodamas su lovyte, o ne pridėkite prie jo kitų čiuzinių - uždusti pavojus.

PRIEŽIŪROS/PLOVIMO INSTRUKCIJOS

Audumi ir neņemami un mazgājami veļasmašīnā. Niekada nenaudokite baliklio arba kitų cheminių ploviklių. Periodiškai (maždaug kartą per mėnesį) išpurškite ratukus ir metalines dalis silikono purškalu, kad vežimėlis toliau riedėtų tolygiai.



Jūsų „Day⁵“ vežimėlio aliuminio dalys yra dengtos specialia danga, todėl yra apsaugotos nuo išorės poveikio, pavyzdžiui, rūdijimo. Dengtos aliuminio dalys yra jautrios rūgštiniam valikliams arba tepalams, kurie gali palikti dėmes arba pakeisti aliuminio dalių spalvą. Todėl patariame vežimėlio aliuminio dalis valyti šiltu vandeniu ir minkšta šluoste.

Kuriant „Joolz Day⁵“ buvo itin atsižvelgiama į saugumą. Todėl mūsų gaminiai atitinka šiuos saugos standartus:

Europe:
EN 1888-2:2018+AI:2022, EN 1466:2023,
EN1130-2019 & EN16890:2017+AI:2021
United States:
ASTM F833-21 & ASTM F2050-19
Canada: SOR/2023-101
Australia: AS 2088: 2022

Aplankykite joolz.com, facebook.com/myjoolz arba susisiekite su pardavėju, jei turite klausimų ir (arba) pastabų.

POMEMBNO: PROSIMO, DA PRED UPORABO POZORNO PREBERETE NAVODILA IN JIH SHRANITE ZA PRIHODNJO UPORABO. UPOŠTEVAJTE PROIZVAJALČEVA NAVODILA.

OPOZORILO **SPLOŠNO**

- + Otroka nikoli ne pustite brez nadzora.
- + Zagotovite, da so pred uporabo vključene vse zaporne naprave.
- + V izogib poškodbam zagotovite, da otrok/ otroci med prilagajanjem, sestavljanjem in razstavljanjem izdelka niso v bližini.
- + Pred uporabo preverite, ali so pritrdilne naprave za nosilno posteljico, sedež ali avtomobilski sedež pravilno nameščene.
- + Ta izdelek ni primeren za tek ali kotalkanje.
- + Ta sedež je namenjen otrokom, starejšim od 6 mesecev do 4 let, ALI do največje teže 22 kg z največjo višino 100 cm. Kar pride prej.
- + Kadar polagate ali jemljete otroka iz vozička, vedno zategnite zavoro.
- + Vsako breme, pritrjeno na potisni drog in/ ali na zadnjo stran naslona in/ali na bočne strani vozila, bo vplivalo na stabilnost vozila.
- + Redno preverjajte, ali so na ogrodju vozička, nosilni posteljici, sedežu in dodatkih vidni znaki poškodb in obrabe.
- + V nosilni posteljici ali sedežu lahko hkrati sedi samo en otrok.
- + Uporabljajte samo avtomobilske sedeže, nadomestne ali rezervne dele in dodatke, ki jih dobavlja ali odobri podjetje Joolz.
- + Največja teža nakupovalne košarice je 10 kg.
- + Pri uporabi zavore se prepričajte, da je zavorni pedal povsem pritisnjen.

- + Preden ga zložite, na sprednja kolesa vozička vedno namestite vrtljivo ključavnico. Če tega ne storite, lahko pride do deformacije pnevmatik, zlasti v vročem okolju.
- + Nevarnost zadavljenja: Vse pritrdilni elementi za montažo morajo biti vedno dobro zategnjeni in paziti morate, da vijaki niso odvitni, saj bi se otrok lahko zataknil z deli telesa ali oblačili (npr. vrvice, ogrlice, trakovi za lutke za dojenčke itd.).

SEDEŽ - SPLOŠNO

- + Ne pustite, da se otrok/otroci s tem izdelkom igrajo.
- + Ta sedež ni primeren za otroke, mlajše od 6 mesecev.
- + Preprečite resne poškodbe, ki bi lahko nastale zaradi padca ali zdrsa iz izdelka. Vedno uporabljajte zadrževalni sistem.
- + Nosilna posteljica in sedež vozička Joolz Day⁵ sta združljiva le z ogrodjem vozička Joolz Day⁵ in obratno.
- + Avtomobilski sedeži, ki se uporabljajo v povezavi s ogrodjem, ne nadomeščajo posteljice ali postelje. Če bi vaš otrok moral spati, ga morate namestiti v primerno otroško posteljico, posteljo ali odobren spalni prostor glede na zahteve vašega otroka.

NOSILNA POSTELJICA - SPLOŠNO

- + Izdelek je primeren le za otroke, ki še ne morejo sedeti brez pomoči.
- + Nepoužívajte výrobok, ak je niektorá časť zlomená, roztrhnutá alebo chýba a používajte iba náhradné diely schválené výrobcom.
- + Uporabljajte le na trdni, vodoravni in suhi površini.
- + Uporabljajte samo žimnico, ki jo dobavlja podjetje Joolz. Na žimnico, ki jo dobavlja podjetje Joolz, nikoli ne nameščajte dodatne žimnice.
- + Dajanje dodatnih predmetov v izdelek lahko povzroči zadušitev.
- + Izdelka ne postavljajte v bližino drugega izdelka, saj lahko predstavlja nevarnost zadušitve ali zadavljenja, npr. vrvi, vrvi za zavese itd.
- + Nosilna posteljica Joolz Day⁵ je primerna samo za otroke, ki šene morejo sedeti brez pomoči, se preváliti ali se dvigniti na roke in kolena. Največja teža otroka: 9 kg.
- + Največja debelina vzmetnice: 30 mm.

NOSILNA POSTELJICA - KO SE UPORABLJA KOT PRENOSNA OTROŠKA POSTELJICA

- + Otroci se ne smejo brez nadzora igrati v bližini nosilne posteljice.
- + Ne uporabljajte, če je kateri koli del nosilne posteljice poškodovan, zlomljen, raztrgan ali manjka.
- + Vozička Joolz Day⁵ ne približujte odprtemu ognju in drugim virom toplote.
- + Uporabljajte samo žimnico, ki jo dobavlja podjetje Joolz. Na žimnico, ki jo dobavlja podjetje Joolz, nikoli ne nameščajte dodatne žimnice.
- + Ročaje in spodnji del nosilne posteljice je treba redno pregledovati glede znakov poškodb in obrabe.

- + Pred uporabo se vedno prepričajte, da je odbijač pravilno nameščen na nosilno posteljico.
- + Glava otroka v nosilni posteljici nikoli ne sme biti nižje od otrokovega telesa.
- + Pregrevanje lahko ogrozi življenje vašega otroka! Upoštevajte temperaturo okolice in otrokova oblačila ter se prepričajte, da otroku ni premrzlo ali pretoplo.

NOSILNA POSTELJICA - KO SE UPORABLJA KOT POSTELJICA

- + Tega izdelka ne uporabljajte brez predhodnega branja navodil za uporabo.
- + Nehajte uporabljati izdelek takoj, ko lahko otrok sedi ali poklekne ali se sam povleče navzgor. V tem primeru je treba uporabiti nižji položaj.
- + Izdelek je treba postaviti na vodoravna tla.
- + Otroci se v bližini jaslic ne smejo igrati brez nadzora.
- + Ko otrok ni nadzorovan, morajo biti jaslice zaklenjene v fiksni položaju.
- + Bodite pozorni na nevarnosti odprtega ognja in drugih virov močne vročine, kot so električni plamenski grelci, plinski plamen ipd. v bližini otroške posteljice (jaslice in viseča postelja).
- + NE uporabljajte jaslic, če kateri koli del manjka, je poškodovan ali zlomljen. Po potrebi se obrnite na Joolz za nadomestne dele in literaturo z navodili. Ne nadomeščajte delov.
- + Uporabljajte le vzmetnice, ki se prodajajo s temi jaslicami, in na to vzmetnico ne dodajajte druge vzmetnice, nevarnost zadušitve.

NAPOTKI ZA VZDRŽEVANJE/ ČIŠĆENJE

Tkanine so odstranljive in jih lahko perete v pralnem stroju. Nikoli ne uporabljajte belila ali drugih kemičnih detergentov. Redno (približno enkrat mesečno) očistite kolesa in kovinske dele s silikonskim razpršilom, da zagotovite gladko delovanje vozička.



Aluminijasti deli otroškega vozička Day⁵ so prevlečeni s prevleko, ki ščiti pred zunanjimi vplivi, kot je korozija. Prevlečeni aluminijasti deli so občutljivi na kislinska čistila ali mast, ki lahko povzročijo madeže in razbarvanje aluminijastih delov. Zato priporočamo, da aluminijaste dele otroškega vozička čistite s toplo vodo in mehko krpo.

Pri razvijanju vozička Joolz Day⁵ je bila varnost pomemben dejavnik. Naši izdelki zato izpolnjujejo naslednje varnostne standarde:

Europe:
EN I888-2:2018+AI:2022, EN I466:2023,
EN I130-2019 & EN I6890:2017+AI:2021
United States:
ASTM F833-21 & ASTM F2050-19
Canada: SOR/2023-101
Australia: AS 2088: 2022

Če imate kakršna koli vprašanja in/ali komentarje, obiščite spletno stran joolz.com, facebook.com/myjoolz ali se obrnite na svojega prodajalca.

HRVATSKI

VAŽNO: PAŽLJIVO PROČITAJTE OVE UPUTE PRIJE UPOTREBE I SAČUVAJTE IH ZA UBUDUĆE. SLIJEDITE UPUTE PROIZVOĐAČA.

⚠ PAŽNJA OPĆENITO

- + Nikada ne ostavljajte dijete bez nadzora.
- + Prije upotrebe provjerite jesu li svi uređaji za pričvršćivanje ispravno postavljeni.
- + Da biste izbjegli ozljede, pobrinite se da prilikom prilagodbe, rasklapanja i sklapanja ovog proizvoda nema djece u blizini.
- + Prije upotrebe provjerite jesu li košara, sjedalica ili dodatni uređaji za automobilsku sjedalicu ispravno postavljeni.
- + Ovaj proizvod nije namijenjen trčanju ili klizanju.
- + Sjedalica je namijenjena djeci starijoj od 6 mjeseci do 4 godine ILL do maksimalne težine od 22 kg I maksimalne visine od 100 cm. Što prije nastupi.
- + Uvijek trebate pritisnuti kočnicu kad stavljate dijete u kolica ili ga vadite iz njih.
- + Svaki predmet koji stavite na ručku i/ili na stražnji dio naslona i/ili na bočne strane vozila, utjecat će na stabilnost vozila.
- + Redovito provjeravajte postoje li oštećenja ili znakovi trošenja na okviru kolica, košari, autosjedalici i dodatnoj opremi.
- + U košari ili sjedalici može biti samo jedno dijete odjednom.
- + Koristite samo autosjedalice, zamjenske ili rezervne dijelove koje isporučuje ili odobrava Joolz.
- + Maksimalna težina košare za kupnju je 10 kg.
- + Pri kočenju svakako do kraja

- pritisnite kočnicu.
- + Uvijek pritegnite kočnicu na prednjim kotačima prije sklapanja kolica. Ako to ne učinite, može doći do oštećenja guma, posebno u toplom okruženju.
- + Opasnost od davljenja: Svi montažni dijelovi trebaju uvijek biti dobro zategnuti i treba se paziti da vijci ne budu olabavljeni jer dijete može dijelovima tijela ili odjeće zapeti (npr. lančići, ogrlice, vrpce za lutke za bebe, itd.).

SJEDALICA - OPĆENITO

- + Ne dopustite djeci da se igraju ovim proizvodom.
- + Sjedalica nije prikladna za djecu mlađu od 6 mjeseci.
- + Izbjegavajte ozbiljne ozljede uzrokovane padom ili ispadanjem. Uvijek koristite sustav pojasa.
- + Košara i sjedalica Joolz Day⁵ kompatibilne su samo s okvirom Joolz Day⁵.
- + Autosjedalice koje se koriste u kombinaciji sa šasijom nisu zamjena za krevetić ili kolijevku. Ako vaše dijete treba zaspati, stavite ga u odgovarajući krevetić, kolijevku ili područje za spavanje koje je prikladno za vaše dijete.

ZA KOŠARU - OPĆENITO

- + Ovaj proizvod prikladan je samo za dijete koje ne može sjediti bez pomoći.
- + Ne koristite proizvod ako je bilo koji dio slomljen, poderan ili nedostaje i koristite samo rezervne dijelove koje

- je odobrio proizvođač.
- + Koristite samo na čvrstoj, horizontalnoj i suhoj površini.
 - + "Koristite samo madrac koji isporučuje Joolz. Ne stavljajte dodatne madrace na madrac koji isporučuje Joolz."
 - + Postavljanje dodatnih proizvoda u proizvod može uzrokovati gušenje.
 - + Nemojte stavljati proizvod blizu drugog proizvoda koji bi mogao predstavljati opasnost od gušenja ili davljenja, npr. žice, užad za zavjese, itd.
 - + Ova košara Joolz Day⁵ namijenjena je samo za dijete koje ne može sjediti bez pomoći, preokrenuti se te puzati na koljenima i rukama. Maksimalna težina djeteta: 9 kg.
 - + Maksimalna debljina madraca: 30 mm.

ZA KOŠARU

- + Nemojte dozvoliti drugoj djeci da se bez nadzora igraju pored košare.
- + Nemojte koristiti ako je dio košare razbijen, oštećen ili nedostaje.
- + Joolz Day⁵ čuvajte dalje od otvorenog plamena i drugih izvora topline.
- + "Koristite samo madrac koji isporučuje Joolz. Ne stavljajte dodatne madrace na madrac koji isporučuje Joolz."
- + Trebali biste redovito pregledavati ručke i donji dio košare kako biste otkrili ima li znakova oštećenja i habanja.
- + Prije upotrebe uvijek provjerite je li odbojna šipka ispravno pričvršćena na košaru.
- + Kada je u košari, glava djeteta nikada ne smije biti u nižem položaju u odnosu na tijelo djeteta.
- + Prekomjerno utopljanje može ugroziti život vašeg djeteta. U obzir uzmite ambijentalnu temperaturu i

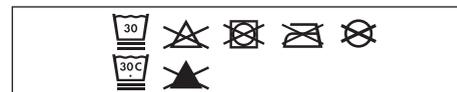
odjeću djeteta. Djetetu ne smije biti ni pretoplo ni prehladno.

ZA KORIŠTENJE PROIZVODA KAO DJEČJEG KREVEĆA.

- + Nemojte upotrebljavati ovaj proizvod bez da ste prvo pročitali Upute za uporabu.
- + Prestanite koristiti ovaj proizvod čim dijete može samostalno sjediti, klečati ili podići se. Tada trebate upotrebljavati niži položaj.
- + Proizvod se treba staviti na vodoravan pod.
- + Djeci se ne smije dopustiti da se igraju bez nadzora u blizini kolijevke.
- + Kolijevka mora biti zaključana u fiksnom položaju kada dijete nije pod nadzorom.
- + Budite svjesni opasnosti od otvorene vatre i drugih izvora jake vrućine, kao što su električni kamini, plinske grijalice itd. u neposrednoj blizini dječjeg krevetića (kolijevke i visećeg ležaja).
- + NEMOJTE upotrebljavati kolijevku ako bilo koji dio nedostaje, oštećen je ili slomljen. Kontaktirajte Joolz za zamjenske dijelove i Upute za uporabu ako je potrebno. Nemojte zamjenjivati dijelove.
- + Upotrebljavajte samo madrac koji je prodan u kompletu s kolijevkom, nemojte dodavati drugi madrac na taj, opasnost od gušenja.

ODRŽAVANJE/UPUTE ZA PRANJE

Tkanine se skidaju i peru u perilici. Nikada ne koristite izbjeljivač i druga kemijska sredstva za čišćenje. Povremeno (otprilike jednom mjesečno) podmažite kola i metalne dijelove silikonskim sprejem kako biste osigurali nesmetano funkcioniranje kolica.



Aluminijski dijelovi kolica Day⁵ premazani su radi zaštite od vanjskih utjecaja, kao što je korozija. Premazani aluminijski dijelovi osjetljivi su na sredstva za čišćenje s kiselinom ili mast koja može uzrokovati mrlje i uništavanje boje na aluminijskim dijelovima. Stoga vam preporučujemo da aluminijske dijelove kolica čistite toplom vodom i mekanom krpom.

Tijekom razvoja kolica Day⁵ sigurnost je bila među najvažnijim stvarima. Stoga naši proizvodi ispunjavaju sljedeće sigurnosne norme:

Europe:
EN 1888-2:2018+AI:2022, EN 1466:2023,
EN1130-2019 & EN16890:2017+AI:2021
United States:
ASTM F833-21 & ASTM F2050-19
Canada: SOR/2023-101
Australia: AS 2088: 2022

Ako imate pitanja i/ili primjedbi, posjetite joolz.com, [facebook.com/myjoolz](https://www.facebook.com/myjoolz) ili se obratite prodajnom predstavniku.

DŮLEŽITÉ: PŘED POUŽITÍM SI TYTO POKYNY POZORNĚ PŘEČTĚTE A UCHOVEJTE JE, ABYSTE DO NICH MOHLI POZDĚJI NAHLÍŽET. DODRŽUJTE POKYNY VÝROBCE.

⚠ VAROVÁNÍ

OBCENĚ

- + Nikdy dítě nenechávejte bez dozoru.
- + Před použitím se ujistěte, zda jsou všechny pojistné mechanismy správně zajištěny
- + Aby nedošlo ke zranění při rozkládání a skládání tohoto výrobku, ujistěte se, že je vaše dítě/jsou vaše děti v bezpečné vzdálenosti.
- + Před použitím zkontrolujte, zda jsou upevňovací mechanismy hlubokého přenosného dílu, sedačky nebo autosedačky správně zapojeny.
- + Tento výrobek není vhodný pro běhání nebo bruslení.
- + Sedačka je určena pro děti od 6 měsíců do 4 let, NEBO do maximální hmotnosti 22 kg s maximální výškou 100 cm. Podle toho, co nastane dříve.
- + Při vkládání a vyndávání dětí je nutné vždy kočárek zabrzdít.
- + Jakákoliv zátěž upevněná na rukojeti a/nebo na zadní část zádové opěrky a/nebo na body vozíku mohou mít dopad na jeho stabilitu.
- + Pravidelně kontrolujte známky poškození nebo opotřebení na kostře kočárku, hlubokém přenosném dílu, sedačce a příslušenství.
- + V hlubokém přenosném dílu nebo sedačce se smí přenášet současně pouze jedno dítě.
- + Používejte pouze autosedačky, náhradní či doplňkové díly a příslušenství, které dodala či schválila společnost Joolz.
- + Maximální hmotnost nákupního

košíku je 10 kg.

- + Ujistěte se, že je při brzdění brzdový pedál plně sešlápnutý.
- + Pravidelně kontrolujte známky poškození nebo opotřebení na kostře kočárku, hlubokém přenosném dílu, sedačce a příslušenství. zejména v horkém prostředí.
- + Nebezpečí uškrcení: Všechny montážní prvky musejí být vždy řádně utažené a je nutno dbát na to, aby nebyly povoleny žádné šrouby, protože dítě by se o ně mohlo zachytit částí těla nebo oděvu (např. šňůrkami, náhrdelníky, stuhami panenek apod.).

SEDAČKA - OBCENĚ

- + Nedovolte, aby si vaše dítě hrálo/ děti hrály s tímto výrobkem.
- + Tato sedačka není vhodná pro děti mladší 6 měsíců.
- + Dejte pozor na riziko vážného poranění v důsledku pádu nebo sklouznutí. Vždy používejte zádržný systém.
- + Hluboký přenosný díl a sedačka Joolz Day⁵ jsou kompatibilní výhradně s podvozkem Joolz Day⁵.
- + Autosedačky používané ve spojení s kosterou nenahrazují korbu nebo postýlku. Pokus vaše dítě potřebuje spát, je třeba ho umístit do vhodné kolébky, postýlky nebo schválené oblasti ke spaní podle potřeb vašeho dítěte.

PRO HLUBOKÝ PŘENOSNÝ DÍL - OBCENĚ

- + Tento výrobek je vhodný pouze pro dítě, které se nedovede samo bez cizí pomoci posadit.
- + Výrobek nepoužívejte, pokud je některá část rozbitá, roztržená nebo chybí a používejte pouze náhradní díly schválené výrobcem.
- + Používejte pouze na pevném, vodorovném a suchém povrchu.
- + Používejte pouze matrace dodané společností Joolz. Nedávejte další matraci na matraci dodanou od společnosti Joolz.
- + Pokládání dalších předmětů do výrobku může vést k udušení.
- + Neumísťujte tento výrobek do blízkosti jiného výrobku, který by mohl představovat nebezpečí udušení nebo uškrcení, např. provazů, šňůr od žaluzií nebo závěsů apod.
- + Hluboký přenosný díl Joolz Day⁵ je vhodný pouze pro dítě, které ještě neumí sedět zřímka bez pomoci a neumí se samo otáčet nebo se zvednout na ruce nebo kolena. Maximální hmotnost dítěte: 9 kg/20 lbs
- + Maximální tloušťka matrace: 30 mm.

PRO HLUBOKÝ PŘENOSNÝ DÍL

- + Nedovolte, aby si ostatní děti hrály bez dozoru v blízkosti přenosného hlubokého dílu.
- + Nepoužívejte, pokud je některá část přenosného hlubokého dílu poškozená, zlomená, natržená nebo chybí.
- + Výrobek Joolz Day⁵ udržujte mimo dosah otevřeného ohně a dalších zdrojů tepla.
- + Používejte pouze matrace dodané společností Joolz. Nedávejte další matraci na matraci dodanou od společnosti Joolz.

- + Pravidelně kontrolujte rukojeti a dno přenosného hlubokého dílu, zda na nich nejsou známky poškození a opotřebení.
- + Před použitím vždy zkontrolujte, zda tyč nárazníku je správně zapojena k hlubokému přenosnému dílu.
- + Hlava dítěte v hlubokém přenosném dílu by nikdy neměla být níže než tělo dítěte.
- + Přehřátí může ohrozit život vašeho dítěte! Zohledněte teplotu prostředí a oblečení dítěte a ujistěte se, zda dítěti není příliš chladno nebo teplo.

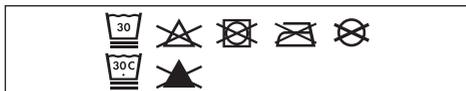
PRO POUŽITÍ VÝROBKU JAKO DĚTSKÁ POSTÝLKA

- + Nepoužívejte tento výrobek bez toho, že byste si nejprve přečetli návod k použití.
- + Přestaňte tento výrobek používat, jakmile se dítě dokáže posadit, kleknout si nebo se pomocí vlastních rukou postavit. Pak byste měli použít spodní polohu.
- + Výrobek musí být postaven na rovné podlaze.
- + V blízkosti postýlky si nesmějí hrát bez dozoru děti.
- + Když bude dítě ponecháno bez dozoru, musí být postýlka zajištěna v pevné poloze.
- + Mějte na paměti nebezpečí hrozící od otevřeného ohně a dalších silných zdrojů tepla, jako jsou elektrické přímotopy, plynová kamna apod., umístěných v blízkosti dětské postýlky (postýlky a závěsného lůžka).
- + Je-li některá z jejích částí rozbitá, poškozená nebo zcela chybí, postýlku NEPOUŽÍVEJTE. Budete-li potřebovat nějaké náhradní díly a návody, obraťte se na firmu Joolz. Nepoužívejte náhražky dílů.
- + Používejte pouze matraci prodávanou s touto dětskou

postýlkou, nepokládejte na ni další matraci; hrozí nebezpečí udušení.

POKYNY PRO ÚDRŽBU/ČIŠTĚNÍ

Látky jsou snímatelné a lze je prát v pračce. Nikdy nepoužívejte bělidlo nebo jiné chemické čisticí prostředky. Pravidelně (přibližně jednou za měsíc) ošetřete kola a kovové díly silikonovým sprejem k zajištění hladkého chodu kočárku.



Hliníkové díly vašeho kočárku Day⁵ jsou eloxované, aby byly chráněny před vnějšími vlivy, jako například před korozí. Eloxované hliníkové díly jsou citlivé na kyselé čisticí prostředky nebo mastnotu, které mohou způsobit skvrny a změnu zabarvení hliníkových dílů. Proto doporučujeme čistit hliníkové části kočárku jemným hadříkem a teplou vodou.

Bezpečnost byla důležitým faktorem v průběhu vývoje dětského sportovního kočárku Joolz Day⁵. Naše výrobky jsou proto v plném souladu s následujícími bezpečnostními normami:

Europe:
EN 1888-2:2018+AI:2022, EN 1466:2023,
EN1130-2019 & EN16890:2017+AI:2021
United States:
ASTM F833-21 & ASTM F2050-19
Canada: SOR/2023-101
Australia: AS 2088: 2022

Máte-li nějaké otázky či připomínky, navštivte web joolz.com, facebook.com/myjoolz nebo se obraťte na svého prodejce.

БЪЛГАРСКИ

ВАЖНО: МОЛЯ, ВНИМАТЕЛНО ПРОЧЕТЕТЕ НАСТОЯЩИТЕ ИНСТРУКЦИИ ПРЕДИ УПОТРЕБА И ГИ ЗАПАЗЕТЕ С ЦЕЛ БЪДЕЩИ СПРАВКИ. СЛЕДВАЙТЕ ИНСТРУКЦИЯТА НА ПРОИЗВОДИТЕЛЯ.

⚠ ПРЕДУПРЕЖДЕНИЕ ОБЩА ИНФОРМАЦИЯ

- + Никога не оставяйте детето без надзор.
 - + Преди употреба се уверете, че всички заключващи устройства са заключени.
 - + За да избегнете наранявания, се уверете, че няма опасност за детето/децата Ви при регулиране, разгъване и сгъване на този продукт.
 - + Преди употреба се уверете, че кошчето за носене, седалката или устройствата за прикрепване към седалките за коли са инсталирани правилно
 - + Този продукт не е подходящ при тичане или каране на кънки.
 - + Седалката е предназначена за използване от деца над 6 месеца до 4 години ИЛИ до максимално тегло от 22 кг с максимална височина от 100 см. Което настъпи първо.
 - + Спирачките винаги трябва да са активирани, когато слагате или вадите детето в/от количката.
 - + Всеки товар, прикрепен към лоста и/или на гърба на облегалката и/или отстрани на превозното средство, ще повлияе на стабилността на превозното средство.
 - + Проверявайте шасито на количката, кошчето за носене, седалката и аксесоарите редовно за следи от повреда или износване.
 - + Кошчето за носене или седалката може да носи само едно дете
- едновременно
- + Използвайте само седалки, части за подмяна или резервни части, както и аксесоари, които са предоставени или одобрени от Joolz.
 - + Максималното тегло на кошницата за пазаруване е 10 кг.
 - + Уверете се, че педалът на спирачката е напълно зацепил, когато задействате спирачката.
 - + Винаги активирайте осевото заключване на предните колела, преди да сгънете количката. В противен случай може да се стигне до деформиране на гумите, особено при високи температури.
 - + Риск от задушаване: целият монтаж фитингите винаги трябва да бъдат здраво затегнати, също трябва да се наблюдава за да не бъдат отслабени винтове, защото едно дете може придържайте се към тях с части на тялото или облекло (напр струни, колиета, панделки за зальгалки и др.).
- ### СЕДАЛКАТА - ОБЩА ИНФОРМАЦИЯ
- + Не позволявайте игра на детето/децата с този продукт.
 - + Седалката не е подходяща за деца на възраст под 6 месеца.
 - + Не позволявайте падане или плъзгане встрани, защото това може да причини сериозни наранявания. Винаги използвайте ограничителните колани.
 - + Кошчето за носене и седалката Joolz Day⁵ са съвместими само с шаси Joolz Day⁵.

- + Седалките за коли, които се използват в съчетание с шаси, не могат да заместят кошара или легло. В случай че детето Ви трябва да спи, то трябва да бъде поставено в удобно детско креватче, легло или подходящо място за спане в зависимост от нуждите на детето Ви.

ЗА КОШЧЕТО ЗА НОСЕНЕ

- + Този продукт е подходящ само за деца, които не могат да седят изправени без помощ.
- + Не използвайте продукта, ако някоя част е счупена, разкъсана или липсва и използвайте само резервни части, одобрени от производителя.
- + Използвайте само на здрава, равна и суха хоризонтална повърхност.
- + Използвайте само матрака, предоставен от Joolz. Не поставяйте допълнителни матраци върху матрака, осигурен от Joolz.
- + Поставянето на допълнителни елементи в изделието може да доведе до задушаване.
- + Не поставяйте продукта в близост до друго изделие, което може да доведе до опасност от задушаване или удушаване, напр. Връзки, връви за щори/завеси и т.н.
- + Кошчето за носене Joolz Day⁵ е подходящо само за деца, които не могат да седят изправени без помощ, да се преобръщат или да се изправят на четири крака. Максимално тегло на детето: 9 кг.
- + Максимална дебелина на матрака: 30 мм

ЗА КОШЧЕТО ЗА НОСЕНЕ

- + Не оставяйте други деца да играят без надзор в близост до

- кошчето за носене.
- + Не използвайте кошчето за носене, ако има повредени, счупени, скъсани или липсващи части.
- + Пазете Joolz Day⁵ далеч от открит огън и други източници на топлина.
- + Използвайте само матрака, предоставен от Joolz. Не поставяйте допълнителни матраци върху матрака, осигурен от Joolz.
- + Дръжките и долната част на кошчето за носене трябва да се проверяват редовно за признаци на износване или повреждане.
- + Винаги се уверявайте, че предпазителят е поставен правилно към частите на кошчето за носене преди употреба.
- + Главата на детето в кошчето за носене никога не трябва да бъде на по-ниско ниво спрямо тялото му.
- + Претоплянето може да застраши живота на детето ви! Вземете предвид околната температура и дрехите на детето и се уверете, че на детето не му е твърде студено или твърде топло.

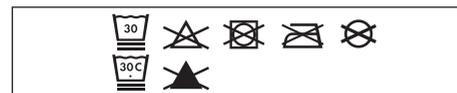
ЗА ИЗПОЛЗВАНЕ НА ПРОДУКТА КАТО КРЕВАТЧЕ

- + Не използвайте това изделие, преди да се запознаете с инструкциите за употреба.
- + Преустановете употребата на изделието, когато детето вече може да стои в седнало положение или да коленичи или да се издърпва нагоре.
- + Продуктът трябва да бъде поставен върху хоризонтален под.
- + Децата нямат право да играят без надзор в непосредствена близост до детско креватче.
- + Кошарата трябва да е затворена

- и записва се, когато детето остане без надзор.
- + Помнете опасността открит огън и други източници силна топлина, като електрическа спирални нагреватели, газови нагреватели и др., в непосредствена близост от креватчето (креватче или висящо легло).
- + НЕ използвайте креватчето, ако всички части липсват, повредени или счупен. Свържете се, ако е необходимо от Joolz, за да получите резервни части и инструкции за употреба. Не подменете части.
- + Използвайте само матрака, който се продава с това детско креватче, не добавяйте втори матрак, тъй като това може да доведе до рискове от задушаване.

ИНСТРУКЦИИ ЗА ПОЧИСТВАНЕ/ ПОДДРЪЖКА

Платовете се свалят и перат в пералня. Никога не използвайте белина или други химически препарати. Периодично (приблизително веднъж месечно) нанасяйте силиконов спрей по колелата, за да гарантирате плавния ход на количката.



Алуминиевите части на Вашата количка Day⁵ имат покритие с цел защита срещу определени външни влияния, като например корозирание. Алуминиеви части с покритие са уязвими към киселинни почистващи препарати или смазка, които може да доведат до появата на петна или обезцветяването им.

Поради тази причина Ви съветваме да почиствате алуминиевите части на количката с топла вода и мека кърпа.

По време на разработването на Joolz Day⁵ обърнахме специално внимание на безопасността. Така нашите продукти отговарят на следните стандарти за безопасност:

Europe:
EN 1888-2:2018+AI:2022, EN 1466:2023,
EN1130-2019 & EN16890:2017+AI:2021
United States:
ASTM F833-21 & ASTM F2050-19
Canada: SOR/2023-101
Australia: AS 2088: 2022

Ако имате някакви въпроси и/или забележки, посетете joolz.com, [facebook.com/myjoolz](https://www.facebook.com/myjoolz) или се свържете с Вашия търговец.

IMPORTANT: VĂ RUGĂM SĂ CITIȚI ACESTE INSTRUCȚIUNI CU ATENȚIE ÎNAINTE DE UTILIZARE ȘI SĂ LE PĂSTRAȚI PENTRU CONSULTARE ULTERIOARĂ. RESPECTAȚI INSTRUCȚIUNILE PRODUCĂTORULUI.

⚠️ AVERTISMENT GENERAL

- + Nu vă lăsați copilul nesupravegheat.
- + Asigurați-vă că toate dispozitivele de blocare sunt cuplate înainte de utilizare.
- + Pentru a evita vătămările corporale, asigurați-vă că copilul/ copiii dumneavoastră nu sunt în preajmă în momentul deplierii, plierii și ajustării acestui produs.
- + Verificați dacă, înainte de utilizare, dispozitivele de atașare a landoului, a unității de scaunului sau a scaunului auto sunt cuplate corect.
- + Acest produs nu este adecvat pentru alergare sau patinaj.
- + Acest landou este destinat pentru copii de la 6 luni până la 4 ani, SAU pentru o greutate maximă de 22 kg cu o înălțime maximă de 100 cm. Depinde de care dintre acestea trebuie avută în vedere în primul rând.
- + Frânele trebuie acționate întotdeauna în momentul așezării și ridicării copiilor.
- + Orice sarcină atașată la bara de împingere și/sau pe spatele spătarului și/sau pe părțile laterale ale unității va afecta stabilitatea unității.
- + Verificați în mod regulat cadrul, landoul unitatea de scaun și accesoriile, să nu prezinte semne de deteriorare și rupere.
- + Cu landoul sau unitatea de scaun poate fi transportat un singur copil la un moment dat.
- + Folosiți scaune auto, elemente de

- înlocuire sau piese de schimb și accesorii furnizate sau aprobate de Joolz.
- + Greutatea maximă a coșului de cumpărături este de 10 kg.
- + Asigurați-vă că pedala de frână este complet trasă atunci când apăsați pe ea.
- + Aplicați întotdeauna blocarea rotirii pe roțile din față înainte de a deplia căruciorul. Nerespectarea acestei recomandări poate avea drept rezultat deformarea pneurilor, în special într-un mediu cu temperaturi ridicate.
- + Risc de strangulare: Toate niplurile utilizate la asamblare trebuie strânse întotdeauna în mod corespunzător și trebuie să verificați cu atenție ca nici un șurub să nu fie slăbit, deoarece un copil și-ar putea prinde părți din corp sau îmbrăcăminte (de exemplu, șnururi, coliere, panglicile de la suzete etc.).

SCAUN - GENERAL

- + Nu lăsați copilul/copiii să se joace cu acest produs.
- + Acest landou nu este adecvat pentru copii cu vârste de sub 6 luni.
- + Evitați rănile grave provocate prin cădere sau alunecare. Utilizați întotdeauna sistemul de fixare.
- + Landourile și unitățile de scaun Joolz Day⁵ sunt compatibile doar cu cadrul Joolz Day⁵.
- + Scaunele auto, utilizate în combinație cu un cadru al unui cărucior, nu înlocuiesc un landou

sau un pătuț. În cazul în care copilul trebuie să doarmă, atunci acesta trebuie să fie așezat într-un pat corespunzător, un pătuț de dormit sau o zonă de dormit aprobată, în funcție de cerințele copilului dumneavoastră.

PENTRU LANDOU

- + Acest produs este adecvat doar pentru un copil care nu se poate ridica fără ajutor.
- + Nu utilizați produsul dacă o piesă este ruptă, ruptă sau lipsește și utilizați numai piese de schimb aprobate de producător.
- + Utilizați doar pe o suprafață fermă, orizontală și uscată.
- + Folosiți doar salteaua furnizată de Joolz. Nu așezați o saltea suplimentară peste salteaua furnizată de Joolz.
- + Plasarea de articole suplimentare în produs poate duce la sufocare.
- + Nu așezați produsul în apropierea altui produs, care ar putea prezenta un pericol de sufocare sau strangulare, de ex. șnururi, cordoane pentru jaluzele/draperii etc.
- + Landoul Joolz Day⁵ este adecvat doar pentru un copil care nu se poate ridica fără ajutor, nu se poate rostogoli și nu se poate ridica sprijinindu-se în mâini și genunchi. Greutatea maximă a copilului: 9 kg.
- + Grosimea maximă a saltelei: 30 mm.

PENTRU LANDOU

- + Nu lăsați alți copii să se joace nesupravegheați în apropierea landoului de transport.
- + Nu utilizați dacă vreot parte a landoului de transport este deteriorată, defectă, uzată sau lipsește.
- + Țineți Joolz Day⁵ departe de foc

- deschis și alte surse de căldură.
- + Folosiți doar salteaua furnizată de Joolz. Nu așezați o saltea suplimentară peste salteaua furnizată de Joolz.
- + Mănerile și fundul landoului de transport trebuie inspectate periodic pentru semne de deteriorare și uzură.
- + Asigurați-vă întotdeauna că bara amortizoare este cuplată corect la landou înainte de utilizare.
- + Capul copilului din landou nu trebuie să fie mai jos decât corpul copilului.
- + Supraîncălzirea poate pune în pericol viața copilului dvs.! Țineți cont de temperatura ambientală și de hainele copilului și asigurați-vă că nu îi va fi prea rece sau prea cald.

PENTRU FOLOSIREA PRODUSULUI CA PATUT.

- + Nu utilizați acest produs fără a citi mai întâi instrucțiunile de utilizare.
- + Încetați utilizarea produsului imediat ce copilul poate să stea în șezut sau în genunchi sau poate să se ridice. În acest caz, se va folosi poziția mai joasă.
- + Produsul trebuie așezat pe o podea orizontală.
- + Copiii nu trebuie lăsați să se joace nesupravegheați în apropierea leagănelui.
- + Leagănelul trebuie blocat în poziție fixă atunci când copilul este lăsat nesupravegheat.
- + Fiți conștient de riscul existenței unei flăcări deschise sau a altor surse de căldură puternică, precum aparate de încălzire electrice, flăcări de gaz etc., în apropierea pătuțului de copil (leagăn și pat suspendat).
- + NU utilizați leagănelul în cazul în care acesta prezintă elemente lipsă, deteriorate sau stricate. Contactați Joolz pentru piese de schimb și

manualul de instrucțiuni, dacă este necesar. Nu înlocuiți piesele.

- + Utilizați numai salteaua vândută cu acest leagăn, nu adăugați o a doua saltea peste aceasta, există pericol de sufocare.

ÎNȚREȚINEREA/INSTRUCȚIUNI DE SPĂLĂRE

Țesăturile sunt detașabile și se pot spăla la mașină. Nu utilizați niciodată înălbitor sau alți detergenți chimici. Tratați periodic (aproximativ o dată pe lună) roțile și piesele metalice cu spray cu silicon pentru a asigura rularea lină a căruciorului.



Piesele de aluminiu ale căruciorului dumneavoastră Day⁵ sunt eloxate pentru a-l proteja de influențele externe, precum coroziunea. Piesele de aluminiu eloxate sunt vulnerabile la agenți de curățare acizi sau lubrifianți, care pot cauza pete sau decolorarea pieselor din aluminiu. Prin urmare, vă sfătuim să curățați piesele din aluminiu ale căruciorului dumneavoastră cu apă caldă și o cârpă moale.

Siguranța a reprezentat un factor important pe parcursul fabricării căruciorului Joolz Day⁵. Așadar, produsele noastre respectă următoarele standarde de siguranță:

Europe:
EN 1888-2:2018+AI:2022, EN 1466:2023,
EN1130-2019 & EN16890:2017+AI:2021
United States:
ASTM F833-21 & ASTM F2050-19
Canada: SOR/2023-101
Australia: AS 2088: 2022

Vă rugăm să vizitați joolz.com, facebook.com/myjoolz sau să contactați furnizorul pentru orice întrebări și/sau comentarii.

SRBIJA

VAŽNO: PAŽLJIVO PROČITAJTE OVA UPUTSTVA PRE KORIŠĆENJA I SAČUVAJTE IH ZA KASNIJE. SLEDITE UPUTSTVA PROIZVOĐAČA.

⚠ UPOZORENJE GENERAL

- + Nikada nemojte ostavljati dete bez nadzora.
- + Uverite se da su svi uređaji za zaključavanje aktivirani pre korišćenja.
- + Da biste izbegli povredu uverite se da se dete/ deca nalazi/e dalje od ovog proizvoda prilikom njegovog podešavanja, rasklapanja i sklapanja.
- + Uverite se da su kolenjke za nošenje, dodaci jedinice sedišta ili sedišta za automobil pravilno pričvršćeni pre korišćenja
- + Ovaj proizvod nije pogodan za trčanje ili vožnju poput rolšua/ skejtborda.
- + Jedinica sedišta je namenjena za decu stariju od 6 meseci do 4 godine, ILL do maksimalne težine od 22 kg sa maksimalnom visinom od 100 cm. Koji god uslov da se prvi ispuni.
- + Kočnice uvek treba da budu u funkciji kada smeštate i vadite decu.
- + Bilo kakav teret pričvršćen za kolica i/ ili iza naslona i/ili sa strana vozila uticaće na stabilnost vozila.
- + Uverite se da na konstrukciji kolica, kolenjci za nošenje, jedinici sedišta i dodacima nema znakova oštećenja i habanja.
- + U jedinicu kolenjke za nošenje ili sedišta može da stane samo jedno dete u svakom trenutku.
- + Koristite samo sedišta za automobil, delove za zamenu ili rezervne delove i dodatke koje je dostavila ili odobrila kompanija Joolz.

- + Maksimalna težina korpe za kupovinu je 10 kg/22 lbs.
- + Uverite se da je pedala kočnice potpuno pritisnuta kada kočite.
- + Uvek primenite sistem za blokadu okretanja na prednjim točkovima pre sklapanja kolica. Ako to ne uradite, može doći do deformacije pneumatika, naročito u vrućem okruženju.
- + Opasnost od davljenja: Sve montažno delovi uvek treba da budu dobro zategnuti i treba paziti da se ne olabave zavrtnji jer dete može delove tela ili odeću pričvrstiti (npr. lančići, ogrlice, trake za lutke za bebe itd.).

SEDIŠTA - GENERAL

- + Nemojte dozvoliti detetu/decu da se igra/ju ovim proizvodom.
- + Jedinica sedišta nije pogodna za decu mlađu od 6 meseci.
- + Izbegavajte ozbiljne povrede od pada ili ispadanja. Uvek koristite bezbednosni sistem.
- + Joolz Day⁵ jedinica kolenjke za nošenje i sedišta kompatibilna je samo sa Joolz Day⁵ konstrukcijom i obrnuto.
- + Sedišta za automobil, korišćena povezana sa konstrukcijom kolica, ne zamenjuju kolenjku ili krevet. Ako dete treba da spava, onda ga treba staviti u odgovarajuću kolenjku, krevetac ili odobreno područje za spavanje prema potrebama deteta.

KOLEVKE - GENERAL

- + Ovaj proizvod je pogodan samo za dete koje ne može samo da sedi.
- + Nemojte koristiti proizvod ako je bilo koji deo pokvaren, pocepan ili nedostaje i koristite samo rezervne delove koje je odobrio proizvođač.
- + Koristite samo na čvrstoj, horizontalnoj i suvoj površini.
- + Koristite isključivo madrace koje je obezbedila kompanija Joolz. Nemojte stavljati dodatni madrac na madrac koji obezbeđuje kompanija Joolz.
- + Ugradnja dodatnih proizvoda proizvod može izazvati gušenje.
- + Ne stavljajte proizvod blizu drugog proizvoda koji bi može predstavljati opasnost od gušenja ili davljenja, npr. žice, užad za zavese itd.
- + Joolz Day⁵ kolevka za nošenje je pogodna za decu koja ne mogu sama da sede, okreću se i uspravljaju pomoću ruku i kolena. Maksimalna težina deteta: 9 kg.
- + Maksimalna debljina duška: 30 mm.

ZA KOLEVKU ZA NOŠENJE

- + Nemojte dozvoliti drugoj deci da se igraju bez nadzora u blizini kolevke za nošenje.
- + Nemojte koristiti ako je bilo koji deo kolevke za nošenje oštećen, polomljen, pocepan ili nedostaje.
- + Držite JoolzDay⁵ dalje od otvorenog plamena i drugih izvora toplote.
- + Koristite isključivo madrace koje je obezbedila kompanija Joolz. Nemojte stavljati dodatni madrac na madrac koji obezbeđuje kompanija Joolz.
- + Ručke i dno kolevke za nošenje treba redovno pregledati radi pojave eventualnih znakova oštećenja i habanja.
- + Uvek se uverite da je branik pravilno pričvršćen za jedinicu kolevke za

nošenje pre upotrebe.

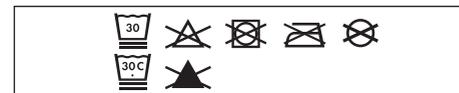
- + Glava deteta u kolevci za nošenje nikada ne treba da bude niže od tela deteta.
- + Pregrevanje može da ugrozi život vašeg deteta! Uzmite u obzir temperaturu okoline i detetovu odeću i uverite se da detetu nije previše hladno ili previše toplo.

ZA KORIŠĆENJE PROIZVODA KAO KREVIĆA.

- + Nemojte koristiti ovaj proizvod bez prvog čitanja Uputstvo za upotrebu.
- + Prestanite da koristite ovaj proizvod čim dete može samostalno sedeti, klečati ili ustaj. Onda treba da koristite niži položaj.
- + Proizvod treba postaviti na horizontalni pod.
- + Deci ne treba dozvoliti da se igraju bez nadzor u blizini kolevke.
- + Kolevka mora biti zaključana u fiksnom položaju kada dete nije pod nadzorom.
- + Budite svesni opasnosti od otvorenog vatra i drugi izvori intenzivne toplote, kao npr su električni kamini, gasni grejači itd. blizu krevetića (kolevka i viseća mreža).
- + NEMOJTE koristiti postolje ako postoji koji deo nedostaje, oštećen ili slomljen. Kontaktirajte Joolz za rezervne delove i Uputstvo za upotrebu ako je potrebno. Nemoj zameniti delove.
- + Koristite samo dušek koji se prodaje u kompletu sa kolevka, ne dodaj još jedan dušek na tome, opasnost od gušenja.

UPUTSTVO ZA ODRŽAVANJE/PRANJE

Tkanine se skidaju i peru u mašini. Nikad nemojte koristiti izbeljivač ili druge hemijske deterdžente. Periodično (otprilike jednom mesečno) tretirajte točkove i metalne delove silikonskim sprejem da biste obezbedili neometano kretanje kolica.



Aluminijumski delovi Day⁵ kolica su premazani da bi se kolica zaštitila od uticaja kao što je rđa. Premazani aluminijumski delovi su osetljivi na kisela sredstva za čišćenje ili mast, što može da izazove mrlje i promenu boje aluminijumskih delova. Stoga preporučujemo da aluminijumske delove kolica čistite toplom vodom i mekom krpom.

Prilikom razvoja Joolz Day⁵ kolica bezbednost je bila važna stavka. Naši proizvodi stoga ispunjavaju sledeće bezbedonosne standarde:

Europe:
EN 1888-2:2018+AI:2022, EN 1466:2023,
EN1130-2019 & EN16890:2017+AI:2021
United States:
ASTM F833-21 & ASTM F2050-19
Canada: SOR/2023-101
Australia: AS 2088: 2022

Posetite joolz.com, [facebook.com/myjoolz](https://www.facebook.com/myjoolz) ili se obratite maloprodaji za sva pitanja i/ili komentare.

FONTOS: HASZNÁLAT ELŐTT KÉRJÜK, OLVASSA EL AZ ALÁBBI UTASÍTÁSOKAT ÉS A TOVÁBBI HASZNÁLATHOZ ŐRIZZE MEG AZOKAT. KÖVESSE A GYÁRTÓ ÁLTAL MEGADOTT UTASÍTÁSOKAT.

⚠ FIGYELMEZTETÉS

ÁLTALÁNOS

- + Soha ne hagyja a gyermekét felügyelet nélkül.
- + Használat előtt ellenőrizze, hogy az összes rögzítőeszközt alkalmazta-e.
- + A sérülések elkerülése érdekében vigyázzon gyermeke/ gyermekei épségére a termék beállításakor, összecukásakor és kinyitásakor.
- + Használat előtt ellenőrizze, hogy a hordozót, ülésrészt vagy az autósülést rögzítő eszközöket megfelelően biztosította-e.
- + A termék nem alkalmas futáshoz vagy görkorcsolyázáshoz.
- + Az ülésrészt egységet 0 hónapos kortól 4 éves korig, ill. max. 22 kg, és maximum 100 cm magasságú gyermekek számára terveztük. A kettő közül a korábban teljesülő az érvényes.
- + A fékeket mindig használni kell, amikor a gyermeket behelyezi a babakocsiba, vagy kiveszi onnan.
- + Módosítja a babakocsi stabilitását, ha bármilyen súlyt helyez a tolókarra és/vagy a háttámaszra és/vagy a babakocsi oldalára.
- + Rendszeresen ellenőrizze, hogy a babakocsi váza, a hordozó, az ülőrész vagy valamelyik tartozék nem sérült-e meg vagy nem használódott-e el.
- + A hordozóban vagy az ülőrészben egyszerre csak egy gyermek szállítható.
- + Kizárólag a Joolz vállalattól beszerzett vagy a Joolz által jóváhagyott autósülést, csere- és

pótalkatrészt vagy tartozékot használja.

- + A bevásárlókosár súlya legfeljebb 10 kg.
- + Fékezéskor a lábpedálnak teljesen lenyomva kell lennie.
- + A babakocsi összehajtása előtt minden esetben rögzítse az első kerekek forgását gátló féket. Ennek elmulasztása esetén a gumiabroncsok beszorulhatnak és eldeformálódhatnak, főleg meleg környezetben.
- + A bölcsőt rögzíteni kell a helyén, amikor a gyermek felügyelet nélkül marad.

ÜLÉSRESZT

- + Ne engedje, hogy a gyermek/ gyermekek játszanak a termékkel.
- + Az ülésrészt 6 hónaposnál fiatalabb gyermekek esetében nem használható.
- + Előzze meg a súlyos, a kiesésből vagy kicsúszásból származó baleseteket. Mindig használja a rögzítőrendszert.
- + A Joolz Day⁵ hordozó és ülőrész csak Joolz Day⁵ vázzal kompatibilis és fordítva.
- + A vázzal együtt használt autósülések nem helyettesítik a mózeskosarat vagy az ágyat. Ha gyermeke álmos, helyezze őt megfelelő kiságyba vagy a gyermeke igényeinek megfelelő, alvásra alkalmas helyre.

HORDOZÓ

- + A termék csak olyan gyermek esetén használható, aki még nem tud egyedül felülni.
- + Ne használja a terméket, ha bármely alkatrész törött, szakadt vagy hiányzik, és csak a gyártó által jóváhagyott pótalkatrészeket használjon.
- + Kizárólag szilárd, vízszintes és száraz felületen használja.
- + Kizárólag a Joolz vállalattól beszerzett matracot használja. Ne tegyen további matracokat a Joolz matracra.
- + Ne helyezzen tárgyakat a bölcsőbe, mert ez fulladást okozhat.
- + Ne helyezze a terméket egy másik termékhez közel, amely fulladás vagy megfojtás veszélyével járhat, pl. hurok, függönyök/ függönyzsinórok stb.
- + A Joolz Day⁵ babakhordozó olyan gyermeknek megfelelő, aki még nem tud egyedül felülni, nem tud megfordulni és nem tud négykézlábra állni. A gyermek maximális testsúlya: 9 kg.
- + Maximális matracvastagság: 30mm.

HORDOZÓ

- + Ne hagyja, hogy más gyermekek felügyelet nélkül játszanak a hordozó közelében.
- + Ne használja a hordozható mózeskosarat, ha valamelyik része sérült, eltört, elszakadt vagy hiányzik.
- + A Joolz Day⁵ terméket nyílt lángtól és hőforrástól tartsa távol.
- + Kizárólag a Joolz vállalattól beszerzett matracot használja. Ne tegyen további matracokat a Joolz matracra.
- + A hordozható mózeskosár karját és alját rendszeresen ellenőrizze, hogy nem sérült vagy kopott-e.

- + Használat előtt mindig győződjön meg róla, hogy a kiesés-gátló kar megfelelően van rögzítve a mózeskosár egységhez.
- + A mózeskosár hordozóban a gyermek fejének mindig feljebb kell lennie, mint a testének.
- + A túlmelegedés veszélyeztetheti gyermeke életét! Mindig vegye figyelembe a külső hőmérsékletet és a gyermek ruházatát, hogy megbizonyosodjon róla, hogy a gyermek nem fázik-e vagy nincs-e túl meleg.

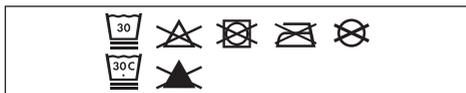
A TERMÉK KISÁGYKÉNT VALÓ HASZNÁLATÁHOZ

- + Ne használja a terméket a használati utasítások elolvasása nélkül.
- + Amint a gyermek képes felülni, térdelni vagy fel tudja húzni magát, hagyja abba a termék használatát. Ebben az esetben az alsó pozíciót használja.
- + A terméket vízszintes padlóra kell elhelyezni.
- + Gyermekek számára tilos felügyelet nélkül játszani a bölcső közelében.
- + A bölcsőt rögzíteni kell a helyén, amikor a gyermek felügyelet nélkül marad.
- + Ügyeljen a bölcső (bölcső és függőágy) közvetlen közelében fennálló nyílt láng vagy más erős hőforrás veszélyeire, ilyen például az elektromos láng, gáztól származó láng stb.
- + NE használja a bölcsőt, ha bármelyik része hibás, rongált vagy hiányzik. Ha szükséges, forduljon a Joolz pótalkatrészekért és kapcsolódó dokumentációért. Ne cseréljen ki alkatrészeket.
- + Kizárólag a bölcsővel forgalmazott matracot használja, ne használjon második matracot, ugyanis az

fulladás veszélyével jár.

KARBANTARTÁSRA/MOSÁSRA VONATKOZÓ UTASÍTÁSOK

A textíliák kivehetők, mosógépben moshatók. Soha ne használjon öblítőt vagy egyéb vegyszereket. Rendszeresen (nagyjából havonta egyszer) a kerekeket és a fém alkatrészeket kezelje teflon- vagy szilikon spray-vel, így biztosítva a babakocsi egyetlenes gördülését.



Az Day⁵ babakocsi alumínium alkatrészein olyan bevonat található, ami megvédi azt a külső hatásoktól, például a rozsdásodástól. A bevont alumínium alkatrészek érzékenyek a savas tisztítószerre vagy kenőzsírokra. Ezek foltot hagyhatnak vagy az alumínium alkatrészek elszíneződését okozhatják. Ezért azt ajánljuk, hogy a babakocsi alumínium alkatrészeit langyos vízzel és puha törlőkendővel tisztítsa.

A biztonság fontos szempont a Joolz Day⁵ babakocsik tervezése során. Ezért a termékeink megfelelnek az alábbiakban felsorolt szabványoknak:

Europe:
EN 1888-2:2018+AI:2022, EN 1466:2023,
EN130-2019 & EN16890:2017+AI:2021
United States:
ASTM F833-21 & ASTM F2050-19
Canada: SOR/2023-101
Australia: AS 2088: 2022

Ha kérdése van, ill. szeretne visszajelzést adni, akkor kérjük, látogasson el a joolz.com oldalra, a facebook.com/myjoolz oldalra vagy vegye fel velünk a kapcsolatot.

SLOVENSKY

DÔLEŽITÉ: PRED PUŽITÍM SI PROSÍM STAROSTLIVO PREČÍTAJTE TIETO POKYNY A USCHOVAJTE ICH PRE BUDÚCE POTREBY. DODRŽUJTE POKYNY VÝROBCU.

VAROVANIE

SPLOŠNO

- + Nikdy nenechávajte dieťa bez dozoru.
- + Uistite sa, že sú všetky mechanické zámky pred použitím aplikované.
- + Aby nedošlo k zraneniu sa uistite, že vaše dieťa/deti je/sú pri nastavovaní, rozkladaní a skladaní tohto výrobku v bezpečí.
- + Pred použitím skontrolujte, či je zariadenie na upevnenie vaničky, sedačky alebo auto sedačky správne zapojené.
- + Tento výrobok nie je vhodný pre beh alebo korčuľovanie.
- + Sedačka je určená pre deti od 6 mesiacov do 4 rokov, ALEBO maximálne do hmotnosti 22 kg pri maximálnej výške 100 cm, podľa toho, ktorú hodnotu dieťa dosiahne skôr.
- + Brzdy by mali byť pri vkladaní a vyberaní detí vždy zatiahnuté.
- + Akákoľvek záťaž pripevnená na rukoväť a/alebo na zadnú stranu chrbtovej opierky a/alebo na boky vozíka bude mať dopad na stabilitu vozíka.
- + Pravidelne kontrolujte prípadné poškodenie alebo opotrebovanie podvozku kočíka, vaničky, sedačky a príslušenstva.
- + Do vaničky či sedačky sa smie vždy dávať iba jedno dieťa súčasne.
- + Používajte iba auto sedačky, náhradné či doplnkové diely a príslušenstvo, ktoré dodala alebo schválila spoločnosť Joolz.
- + Maximálna hmotnosť v nákupnom

koši je 10 kg.

- + Uistite sa, že je pri brzdení brzdový pedál úplne zošliapnutý.
- + Vždy použite otočný zámok na predné kolesá pred skladaním kočíka. Ak tak neurobíte, môže dôjsť k deformácii pneumatík, a to najmä v horúcom prostredí.
- + Hrozí nebezpečenstvo udusenía: Všetky montážne úchyty musia byť za každých okolností poriadne dotiahnuté a treba sa postarať o to, aby neboli uvoľnené skrutky, pretože by si mohlo do nich dieťa zachytiť časti tela alebo oblečenia (napr. vlákna, privesky, stužky z cumlíkov a pod.).

SEDAČKA

- + Nedovoľte, aby sa vaše dieťa/deti hralo/i s týmto výrobkom.
- + Táto sedačka nie je vhodná pre deti mladšie ako 6 mesiacov.
- + Dajte pozor na riziko vážneho poranenia v dôsledku pádu alebo sklznutia. Vždy používajte zadržiavací systém.
- + Vanička Joolz Day⁵ a sedačka sú kompatibilné iba s Joolz Day⁵ podvozkom a naopak.
- + Auto sedačky používané v kombinácii s podvozkom, nenahrádzajú vaničku alebo posteľ. Pokiaľ vaše dieťa potrebuje spať, je treba ho dať do vhodnej kolísky, postel'ky či schválenej spacej oblasti, podľa potrieb vášho dieťaťa.

VANIČKA

- + A termék csak olyan gyermek esetén használató, aki még nem tud egyedül felülni.
- + Izdelka ne uporabljajte, če je kateri koli del poškodovan, raztrgan ali manjka, uporabljajte pa samo rezervne dele, ki jih je odobril proizvajalec.
- + Používajte len na pevnom, vodorovnom rovnom a suchom povrchu.
- + Používajte iba matrace dodávané spoločnosťou Joolz. Nedávajte ďalšiu matrac na matrace dodané spoločnosťou Joolz.
- + Ak budete k výrobku pridávať ďalšie predmety, môže to spôsobiť udusenie.
- + Neklad'te výrobok do blízkosti iného výrobku, pretože by to mohlo predstavovať nebezpečenstvo udusenía (ide napr. o vlákna, šnúrky z roliet/ záclon a pod.).
- + Vanička Joolz Day⁵ je vhodná pre dieťa, ktoré nemôže sedieť samo, nemôže sa prevrátiť, vytlačiť sa hore, dvíhať sa na ruky a kolená. Maximálna hmotnosť dieťaťa: 9 kg.
- + Maximálna hrúbka matraca: 30 mm.

PRE VANIČKA

- + Nenechajte ostatné deti hrať sa bez dozoru v blízkosti vaničky.
- + Nepoužívajte vaničku, ak je niektorá jej časť zlomená, zatrhnutá alebo chýba.
- + Výrobok Joolz Day⁵ udržiujte mimo dosah otvoreného ohňa a ďalších zdrojov tepla.
- + Používajte iba matrace dodávané spoločnosťou Joolz. Nedávajte ďalšiu matrac na matrace dodané spoločnosťou Joolz.
- + Rukoväť a spodná časť vaničky by mali byť pravidelne prekontrolovať z hľadiska poškodenia a

opotrebovania.

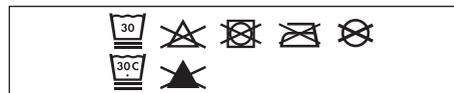
- + Pred použitím vždy skontrolujte, či je nárazník správne zapojený k vaničke.
- + Hlava dieťaťa vo vaničke by nikdy nemala byť nižšie ako telo dieťaťa.
- + Prehriatie môže ohroziť život vášho dieťaťa! Prihliadnite k teplote prostredia a oblečeniu dieťaťa a dávajte pozor, aby dieťaťu nebolo príliš teplo či chladno

PRE VANIČKA

- + Výrobok nepoužívajte bez toho, aby ste si najskôr prečítali pokyny na použitie.
- + Výrobok prestaňte používať, len čo dieťa zvládne sedieť, kľačať alebo sa zdvihnúť zo zeme. Potom by sa mala použiť dolná poloha.
- + Výrobok treba umiestniť na rovnú plochu.
- + V blízkosti postiel'ky by sa deti nemali hrať bez dozoru.
- + Ak je dieťa ponechané bez dozoru postiel'ku treba zaistiť v pevnej polohe.
- + Dávajte pozor na nebezpečenstvo otvoreného ohňa a iných zdrojov veľkého tepla v blízkosti prenosného lôžka (postiel'ky a závesnej posteľe), ako sú napríklad elektrické ohrievače, plynové ohrievače atď.
- + Postiel'ku NEPOUŽÍVAJTE, ak určité diely chýbajú, sú poškodené alebo zlomené. V prípade potreby požiadajte spoločnosť Joolz o náhradné diely a návody na použitie. Nepoužívajte iné ako originálne náhradné diely.
- + Používajte iba matrac, ktorý sa predáva s touto postiel'kou a neklad'te naň ďalší matrac, pretože hrozí nebezpečenstvo udusenía.

NÁVOD NA ÚDRŽBU/UMÝVANIE

Látky sú snímateľné a možno ich prať v práčke. Nikdy nepoužívajte bieliadlá alebo iné chemické čistiace prostriedky. Pravidelne (približne raz za mesiac) namažte kolesá a kovové diely s silikónovým sprejom s cieľom zabezpečiť aby kočík hladko fungoval.



Hliníkové časti vášho kočíka Day⁵ sú eloxované, aby bol chránený pred vonkajšími vplyvmi, ako je korózia. Časti z eloxovaného hliníka sú citlivé na kyslé prostredie alebo masť, ktoré môžu spôsobiť škvrny a zafarbenie hliníkových dielov. Preto vám odporúčame očistiť hliníkové časti vášho kočíka s teplou vodou a mäkkou handričkou.

Bezpečnosť bola pri celom vývoji kočíka a vaničky Joolz Day⁵ dôležitým hľadiskom. Preto naše výrobky spĺňajú nasledovné bezpečnostné normy:

Europe:
EN 1888-2:2018+AI:2022, EN 1466:2023,
EN1130-2019 & EN16890:2017+AI:2021
United States:
ASTM F833-21 & ASTM F2050-19
Canada: SOR/2023-101
Australia: AS 2088: 2022

Navštívte joolz.com, [facebook.com/myjoolz](https://www.facebook.com/myjoolz) alebo sa obráťte na svojho predajcu pre prípadné otázky a/alebo pripomienky.

ΣΗΜΑΝΤΙΚΟ: ΔΙΑΒΑΣΤΕ ΑΥΤΕΣ ΤΙΣ ΟΔΗΓΙΕΣ ΠΡΟΣΕΚΤΙΚΑ ΠΡΙΝ ΑΠΟ ΤΗ ΧΡΗΣΗ ΚΑΙ ΦΥΛΑΚΤΕ ΤΙΣ ΓΙΑ ΜΕΛΛΟΝΤΙΚΗ ΑΝΑΦΟΡΑ. ΤΗΡΕΙΤΕ ΤΙΣ ΟΔΗΓΙΕΣ ΤΟΥ ΚΑΤΑΣΚΕΥΑΣΤΗ.

⚠️ ΠΡΟΕΙΔΟΠΟΙΗΣΗ

ΓΕΝΙΚΗ

- + Μην αφήνετε ποτέ ένα παιδί χωρίς επιτήρηση.
- + Βεβαιωθείτε ότι έχουν ενεργοποιηθεί όλες οι διατάξεις ασφάλισης πριν από τη χρήση.
- + Για την αποφυγή τραυματισμού, βεβαιωθείτε ότι το παιδί/ τα παιδιά σας δεν βρίσκονται κοντά όταν ρυθμίζετε, ανοίγετε ή κλείνετε το προϊόν.
- + Ελέγχετε ότι οι διατάξεις σύνδεσης της καλαθούνας, του καθίσματος ή του καθίσματος αυτοκινήτου έχουν ασφαλίσει σωστά πριν από τη χρήση.
- + Μην χρησιμοποιείτε το προϊόν αυτό όταν κάνετε τζόκινγκ ή όταν φοράτε πατίνια.
- + Το κάθισμα αυτό προορίζεται για παιδιά από 6 μηνών έως 4 ετών, Η βάρους έως και 22 θέση και ύψους έως και 100 cm. Ανάλογα με τη συνθήκη που θα εκπληρωθεί πρώτη..
- + Τα φρένα πρέπει να είναι πάντοτε ασφαλισμένα κατά την τοποθέτηση και την απομάκρυνση των παιδιών.
- + Οποιοδήποτε φορτίο προσαρτημένο στη ράβδο ώθησης και/ ή στο πίσω μέρος της πλάτης και/ή στις πλευρές του συστήματος μεταφοράς θα επηρεάσουν τη σταθερότητα του συστήματος μεταφοράς.
- + Ελέγχετε τακτικά τον σκελετό του καρτσιού, την καλαθούνα, τη διάταξη του καθίσματος και τα αξεσουάρ για σημάδια ζημιάς και φθοράς.
- + Η διάταξη της καλαθούνας ή του καθίσματος μπορεί να μεταφέρει μόνο ένα παιδί κάθε φορά
- + Χρησιμοποιείτε μόνο καθίσματα αυτοκινήτου, αντικαταστάσεις ή ανταλλακτικά και αξεσουάρ που παρέχονται ή εγκρίνονται από την Joolz.
- + Το μέγιστο βάρος για το καλάθι αγορών είναι 10 kg.
- + Βεβαιωθείτε ότι το πετάλι πέδης είναι πλήρως πατημένο όταν χρησιμοποιείτε την πέδη.
- + Εφαρμόζετε πάντα την ασφάλεια περιστροφής στους μπροστινούς τροχούς πριν διπλώσετε το καρτόσι. Σε αντίθετη περίπτωση ενδέχεται να προκληθεί παραμόρφωση στα ελαστικά, ειδικά σε ζεστό περιβάλλον.
- + Κίνδυνος στραγγαλισμού: Όλα τα εξαρτήματα συναρμολόγησης θα πρέπει πάντα να σφίγγονται σωστά και θα πρέπει να λαμβάνεται μέριμνα ώστε να μην είναι χαλαρές βίδες, γιατί ένα παιδί μπορεί να παγιδεύσει μέρη του σώματος ή των ρούχων (π.χ. κορδόνια, κολιέ, κορδέλες για τα ανδρείκελα μωρών κ.λπ.

ΚΑΘΙΣΜΑ

- + Μην αφήνετε τα παιδιά σας να παίζουν με το προϊόν αυτό.
- + Αυτό το κάθισμα δεν είναι κατάλληλο για παιδιά κάτω των 6 μηνών.
- + Αποφύγετε σοβαρούς τραυματισμούς από πτώσεις ή ολισθήσεις. Χρησιμοποιείτε πάντα το σύστημα πρόσδεσης.
- + Οι διατάξεις των καθισμάτων Joolz Day⁵ είναι συμβατές μόνο με τον σκελετό Joolz Day⁵
- + Τα καθίσματα αυτοκινήτου που χρησιμοποιούνται μαζί με σκελετό δεν αντικαθιστούν ένα λίκνο ή κρεβάτι. Αν το παιδί σας πρέπει να κοιμηθεί, τότε πρέπει να το βάλετε σε κατάλληλη κούνια, κρεβάτι ή εγκεκριμένη περιοχή ύπνου βάσει των απαιτήσεων του παιδιού σας.

ΣΧΕΤΙΚΑ ΜΕ ΤΗΝ ΚΑΛΑΘΟΥΝΑ

- + Το προϊόν αυτό είναι κατάλληλο μόνο για παιδιά που δεν μπορούν να καθίσουν χωρίς βοήθεια.
- + Μην χρησιμοποιείτε το προϊόν εάν κάποιο εξάρτημα είναι σπασμένο, σχισμένο ή λείπει και χρησιμοποιείτε μόνο ανταλλακτικά εγκεκριμένα από τον κατασκευαστή.
- + Χρησιμοποιείτε το μόνο σε σταθερή, οριζόντια και στεγνή επιφάνεια.
- + Χρησιμοποιείτε μόνο το στρώμα που παρέχεται από τη Joolz. Μην τοποθετείτε πρόσθετο στρώμα πάνω στο στρώμα που παρέχεται από την Joolz.
- + Η τοποθέτηση επιπλέον αντικειμένων στο προϊόν ενδέχεται να προκαλέσει πνιγμό.
- + Μην τοποθετείτε το προϊόν κοντά σε άλλο προϊόν, το οποίο θα μπορούσε να προκαλέσει κίνδυνο πνιγμού ή στραγγαλισμού, π.χ. Κορδόνια, κουρτίνες/ κορδέλες κουρτινών, κ.λπ.
- + Η καλαθούνα Joolz Day⁵ είναι κατάλληλη μόνο για παιδιά που δεν μπορούν να καθίσουν χωρίς βοήθεια, να γυρίσουν ανάποδα

και να στηριχθούν στα χέρια και τα πόδια τους. Μέγιστο βάρος παιδιού: 9 kg.

- + Μέγιστο πάχος στρώματος: 30mm.

ΣΧΕΤΙΚΑ - ΜΕ ΤΗΝ ΚΑΛΑΘΟΥΝΑ

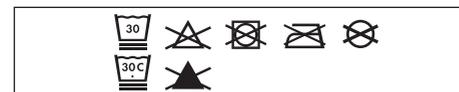
- + Μην αφήνετε άλλα παιδιά να παίζουν χωρίς επιτήρηση κοντά στην καλαθούνα.
- + Μην χρησιμοποιείτε την καλαθούνα σε περίπτωση που κάποιο τμήμα της έχει σπάσει, σχιστεί ή λείπει.
- + Φυλάσσετε την Joolz Day⁵ μακριά από εστίες ανοικτής φωτιάς και άλλες πηγές θερμότητας.
- + Χρησιμοποιείτε μόνο το στρώμα που παρέχεται από τη Joolz. Μην τοποθετείτε πρόσθετο στρώμα πάνω στο στρώμα που παρέχεται από την Joolz.
- + Θα πρέπει να ελέγχετε τακτικά τις λαβές και το κάτω μέρος της καλαθούνας για ενδείξεις ζημιάς και φθοράς.
- + Να βεβαιώνετε πάντοτε ότι η προστατευτική μπάρα είναι σωστά ασφαλισμένη στη διάταξη της καλαθούνας πριν από τη χρήση.
- + Το κεφάλι του παιδιού στην καλαθούνα δεν πρέπει ποτέ να βρίσκεται πιο χαμηλά απ' ό,τι το σώμα του.
- + Η υπερβολική θέρμανση μπορεί να θέσει σε κίνδυνο τη ζωή του παιδιού σας! Λαμβάνετε υπόψιν τη θερμοκρασία του περιβάλλοντος και τα ρούχα του παιδιού και φροντίζετε ώστε το παιδί να μην είναι ούτε πολύ κρύο ούτε πολύ ζεστό.

ΓΙΑ ΧΡΗΣΗ ΤΟΥ ΠΡΟΪΟΝΤΟΣ ΩΣ ΚΟΥΝΙΑ

- + Μην χρησιμοποιείτε το προϊόν αυτό χωρίς να διαβάσετε πρώτα τις οδηγίες χρήσης.
- + Διακόψτε τη χρήση του προϊόντος αμέσως μόλις το παιδί μπορέσει να καθίσει ή να γονατίσει ή να σηκωθεί μόνο του στηριζόμενο. Στην περίπτωση αυτή, θα πρέπει να χρησιμοποιείται η κατώτερη θέση.
- + Το προϊόν πρέπει να τοποθετηθεί σε οριζόντιο δάπεδο.
- + Δεν επιτρέπεται στα παιδιά να παίζουν χωρίς επίβλεψη κοντά στην κούνια.
- + Η κούνια πρέπει να κλειδώνεται στη σταθερή θέση όταν το παιδί αφήνεται χωρίς επίβλεψη.
- + Να είστε ενήμεροι για τον κίνδυνο ανοιχτής πυρκαγιάς και άλλων πηγών ισχυρής θερμότητας, όπως πυρκαγιές σε ηλεκτρικές μπάρες, πυρκαγιές αερίου κ.λπ. κοντά στην κούνια (κούνια και κρεμαστό κρεβάτι)
- + ΜΗΝ χρησιμοποιείτε κούνια εάν λείπουν, έχουν καταστραφεί ή έχουν σπάσει κάποια εξαρτήματα. Επικοινωνήστε με την Joolz για ανταλλακτικά και εκπαιδευτική βιβλιογραφία εάν χρειάζεται. Μην αντικαθιστάτε εξαρτήματα.
- + Χρησιμοποιήστε μόνο το στρώμα που πωλείται μαζί με αυτή την κούνια, μην προσθέτετε δεύτερο στρώμα επάνω σε αυτό, κίνδυνος πνιγμού.

ΣΥΝΤΗΡΗΣΗ/ΟΔΗΓΙΕΣ ΠΛΥΣΙΜΑΤΟΣ

Τα υφάσματα αφαιρούνται και πλένονται στο πλυντήριο. Μην χρησιμοποιείτε ποτέ χλωρίνη ή άλλα χημικά απορρυπαντικά. Ανά τακτά χρονικά διαστήματα (περίπου μία φορά το μήνα) να χρησιμοποιείτε σπρέι σιλικόνης στους τροχούς και τα μεταλλικά μέρη, για να διασφαλίζετε την ομαλή κίνηση του καροτσιού.



Τα μέρη του καροτσιού Day⁵ από αλουμίνιο είναι ανοδιωμένα για να προστατεύονται από εξωτερικές επιδράσεις όπως η διάβρωση. Τα μέρη από επικαλυμμένο αλουμίνιο είναι ευάλωτα σε όξινα καθαριστικά ή γράσο, τα οποία μπορεί να προκαλέσουν λεκέδες και αποχρωματισμούς στα μέρη από αλουμίνιο. Συνεπώς, συνιστάται να καθαρίζετε τα μέρη του καροτσιού από αλουμίνιο με ζεστό νερό και ένα μαλακό πανί.

Η ασφάλεια ήταν σημαντικός παράγοντας σε ολόκληρο το σχεδιασμό του καροτσιού Joolz Day⁵. Τα προϊόντα μας επομένως πληρούν τα παρακάτω πρότυπα ασφαλείας:

Europe:
EN 1888-2:2018+A1:2022, EN 1466:2023,
EN130-2019 & EN16890:2017+A1:2021
United States:
ASTM F833-21 & ASTM F2050-19
Canada: SOR/2023-101
Australia: AS 2088: 2022

Επισκεφτείτε τις διευθύνσεις joolz.com, facebook.com/myjoolz ή επικοινωνήστε με το μεταπωλητή σας για τυχόν ερωτήσεις ή/και σχόλια.

Joolz

Warranty policy



Scan me

Index

en	WARRANTY	120	uk	ГАРАНТІЯ	SCAN ME
de	GARANTIE	124	ee	GARANTII	SCAN ME
nl	GARANTIE	128	lv	GARANTIJA	SCAN ME
fr	GARANTIE	132	it	GARANTIJA	SCAN ME
es	GARANTÍA	136	sl	GARANCIJA	SCAN ME
pt	GARANTIA	SCAN ME	hr	JAMSTVO	SCAN ME
it	GARANZIA	SCAN ME	cs	ZÁRUKA	SCAN ME
sv	GARANTI	SCAN ME	bg	ГАРАНЦИЯ	SCAN ME
no	GARANTI	SCAN ME	ro	GARANȚIE	SCAN ME
fi	TAKUU	SCAN ME	sr	GARANCIJA	SCAN ME
da	GARANTII	SCAN ME	hu	GARANCIA	SCAN ME
ru	ГАРАНТИЯ	SCAN ME	sk	ZÁRUKA	SCAN ME
pl	GWARANCJA	SCAN ME	gr	ΕΓΓΥΗΣΗ	SCAN ME

Standard 2-year manufacturer's warranty

JOOLZ STANDARD WARRANTY

The manufacturer, Milk Design BV, with its main establishment in Amsterdam (hereinafter referred to as: 'Joolz'), provides its strollers and accessories (hereinafter jointly and severally referred to as the: 'Product') under a warranty that is subject to the following conditions:

1. The manufacturer's warranty period is 24 months from the date of purchase as indicated on the sales receipt. The remaining warranty period for the original product applies to a replacement part or product, or a repaired product.
2. This manufacturer's warranty applies only in the region in which the product was purchased.

Joolz only guarantees that the product complies with legal provisions or government regulations that apply in the area where the product is sold.

Joolz reserves the right to apply a different manufacturer's warranty in those specific areas.

This manufacturer's warranty applies only to a product purchased for private use.

This manufacturer's warranty expressly does not apply to any product used for commercial purposes, including but not limited to products for commercial rental.

3. This manufacturer's warranty entitles the consumer to have the product repaired unless Joolz is of the opinion that the product needs to be replaced.
4. Joolz reserves the right to discontinue certain models, colours, fabrics or accessories. In the event of replacement during the warranty period, consumers will receive another equivalent product in a similar colour or fabric. Joolz also reserves the right to replace a complete chassis or to provide reconditioned parts as a replacement.

5. In order to submit a claim under the manufacturer's warranty, you must provide Joolz with the following:
 - a copy of the dated sales receipt;
 - a clear description of the complaint, and
 - the defective product or photographs of the defective part or product.
6. The manufacturer's warranty does not affect your statutory rights, such as the right to hold the retailer liable for defects.

WHAT IS COVERED BY THE MANUFACTURER'S WARRANTY?

The manufacturer's warranty on the product covers the following:

- all manufacturing defects of the chassis, frame, and wheels;
- all manufacturing defects of the adapters;
- zips;
- all parts of the harness of your Joolz stroller;
- seams in the fabric;
- Velcro fasteners;
- colour fastness. Discolouration that can be regarded as normal wear and tear is excluded. Prolonged exposure to sunlight may lead to some discolouration and is considered normal wear and tear.

THE MANUFACTURER'S WARRANTY IS NOT APPLICABLE IN THE FOLLOWING CIRCUMSTANCES:

- If you have modified or repaired the product yourself, or had it repaired, without prior written permission of Joolz or the retailer. In the event of repair by a conscious point of Joolz, the manufacturer's warranty will continue to apply.
- Defects caused by neglect, negligence, or an accident and/or by use or maintenance other than as described in the instructions for use.
- If the serial number is damaged or removed.
- Damage to the product due to normal wear and tear.
- Incorrect assembly or installation of a third-party part or accessory that is not compatible with the product.
- Unintentional or accidental damage, abnormal use, or inadequate maintenance.
- Improper storage/care of the product.
- Damage to the handlebar or fabric as a result of normal daily use of the product.
- Holes or cracks in the tyres.

- Damage caused by incorrect use or failure to observe the instructions for use.
- Damage resulting from repairs carried out by unauthorized persons or from incorrect dismantling of the product.
- Transport damage resulting from transport by aeroplane or other means of transport: check your Joolz product carefully after it has been transported by the airline or another carrier. In the event of damage, consumers should file a claim with the carrier immediately.
- Customer dissatisfaction with the product with regard to fit, weight, functionality, colour or design.

8-year extra warranty

EXTENDED WARRANTY

All Joolz strollers and buggies registered on joolz.com from the 1st September 2022 onwards will receive an extra warranty for eight years provided the stroller is registered within six months of purchase. For an extra warranty, Joolz (as manufacturer) guarantees consumers that the product is free from defects in materials and workmanship, and guarantees normal operation under normal conditions in accordance with user manuals and technical specifications for an extra eight years beyond the standard warranty. In all cases, the sales receipt must be presented when making a warranty claim.

The manufacturer's warranty applies only in the region in which the product was purchased.

THE WARRANTY MAY INCLUDE:

- Replacement parts that can be easily used by the consumer or retailer.
- Joolz only supplies components that have been thoroughly tested and that can be fitted easily with or without instructions.
- Joolz only replaces products with similar ones. Nevertheless, Joolz reserves the right to discontinue certain models, colours, fabric, or accessories. In the event of replacement during the warranty period, consumers will receive another equivalent product in a similar colour or fabric.
- Replacements do not entitle consumers to an extension of the warranty period.
- The Joolz warranty also covers defects to Joolz products that have been bought second hand, provided that the stroller has been transferred after the purchase and registered on joolz.com.
- The replacement product does not entitle consumers to an extension of the warranty period.

WHAT IS COVERED BY THE EXTENDED WARRANTY?

- The warranty is valid for all Joolz strollers and Joolz Aer sold on or after 1 September 2022. The free extra warranty covers the following:
- All factory defects involving the chassis, bassinet frames, seat frames, plastic chair parts, and wheels.

WHAT IS NOT COVERED BY THE EXTENDED WARRANTY?

- Normal wear and tear;
- Corrosion or rust formation on the wheels and chassis due to extreme environmental conditions, including high humidity, salt, ice, or snow or due to inadequate maintenance;
- Incorrect assembly or installation of a third-party part or accessory that is not compatible with the original design;
- Unintentional or deliberate damage, misuse, or neglect;
- Improper storage or care of the product;
- Damage to the grips of the handlebar or to the fabric as a result of normal or daily use;
- Whenever the product has not been used in the normal way and in accordance with the manufacturer's instructions;
- If a repair or modification has been performed by an unauthorized person or if the product has been disassembled without Joolz's consent;
- Airport/transport damage: check your Joolz product carefully after it has been transported by an airline or other carrier and submit any claim directly to the respective carrier;
- Consumer dissatisfaction with the product concerning suitability, weight, functionality, colour, or style;
- If the serial number is damaged or removed.

Joolz reserves the right to change the conditions of the extra warranty at any time.

IMPORTANT

The manufacturer's warranty period for this product is 24 months from the purchase date indicated on the receipt. The receipt should be kept in a safe place and a copy made. If you submit a claim under this warranty, please contact the shop where you purchased the product first.

If the retailer cannot repair the defect or if you bought the product directly from Joolz, please contact Joolz by sending an e-mail to info@joolz.com.

For complaints that occur outside the warranty period, please also first contact the shop where you bought the product.

Joolz reserves the right to change the conditions of this manufacturer's warranty. You will find the conditions of the latest manufacturer's warranty on our website: joolz.com/warranty

REPLACEABLE PARTS

We pride ourselves on manufacturing high-quality products that meet the highest quality standards. Please contact your retailer whenever you need to replace a part of your Joolz product. Or purchase available parts directly via joolz.com

Standardmäßige zweijährige Herstellergarantie

STANDARDGARANTIE VON JOOLZ

Der Hersteller, Milk Design BV, mit Hauptsitz in Amsterdam, Niederlande (im Folgenden als „Joolz“ bezeichnet), liefert seine Kinderwagen und Accessoires (im Folgenden gemeinsam und einzeln als „Produkt“ bezeichnet) im Rahmen einer Garantie aus, für die die folgenden Bedingungen gelten:

1. Die Herstellergarantie hat eine Laufzeit von 24 Monaten ab dem Kaufdatum, das auf der Quittung steht. Die restliche Garantiezeit für das ursprüngliche Produkt gilt für ein Ersatzteil eines Produkts oder für ein repariertes Produkt.
2. Die Herstellergarantie gilt lediglich in der Region, in der das Produkt erworben wurde.

Joolz gewährleistet ausschließlich, dass das Produkt den gesetzlichen Bestimmungen und/oder behördlichen Vorschriften entspricht, die in dem Gebiet gelten, in dem das Produkt erworben wurde.

Joolz behält sich das Recht vor, in diesen spezifischen Gebieten eine andere Herstellergarantie anzuwenden.

Diese Herstellergarantie gilt ausschließlich für Produkte, die für den Privatgebrauch erworben wurden.

Diese Herstellergarantie gilt ausdrücklich nicht für gewerblich genutzte Produkte, einschließlich, aber nicht beschränkt auf Produkte zur gewerblichen Vermietung.

3. Die Herstellergarantie umfasst einen Anspruch auf Reparatur, es sei denn, Joolz ist der Ansicht, dass das Produkt ersetzt werden muss.

4. Joolz behält sich das Recht vor, bestimmte Modelle, Farben, Bezüge oder Accessoires aus dem Sortiment zu nehmen. Bei einem Austausch innerhalb der Garantiezeit erhalten Verbraucher in einem solchen Fall ein anderes, gleichwertiges Produkt mit einer vergleichbaren Farbe oder einem vergleichbaren Bezug. Joolz behält sich ferner das Recht vor, das komplette Gestell zu ersetzen oder überholte Ersatzteile zu senden.
5. Damit Sie die Herstellergarantie in Anspruch nehmen können, benötigt Joolz Folgendes:
 - eine Kopie der datierten Quittung
 - eine umfassende Beschreibung der Beschwerde, und
 - das defekte Produkt und/oder Fotos des defekten Teils oder Produkts.
6. Die Herstellergarantie hat keine Auswirkung auf gesetzliche Rechte, zum Beispiel das Recht, den Einzelhändler für die Defekte haftbar zu machen.

WAS FÄLLT UNTER DIE HERSTELLERGARANTIE?

Die Herstellergarantie gilt für das Produkt und deckt Folgendes ab:

- sämtliche Fertigungsfehler des Gestells, des Rahmens und der Räder
- sämtliche Herstellungsfehler der Adapter
- Reißverschlüsse
- sämtliche Teile des Gurtes in Ihrem Joolz Kinderwagen
- die Nähte des Bezugs
- Klettverschlüsse
- Farblichkeit. Verfärbungen, die auf gewöhnlichen Verschleiß zurückzuführen sind, sind von der Garantie ausgeschlossen. Längere Sonnenlichteinwirkung kann Verfärbungen verursachen und fällt unter gewöhnlichen Verschleiß.

DIE HERSTELLERGARANTIE ERLISCHT IN DEN FOLGENDEN FÄLLEN:

- Anpassungen oder Reparaturen am Produkt, die Sie ohne schriftliche Zustimmung von Joolz oder des Einzelhändlers vorgenommen haben oder haben vornehmen lassen. Die Herstellergarantie bleibt bestehen, wenn die Reparatur von einem Joolz Conscious Point vorgenommen wurde.
- Defekte, die auf Unachtsamkeit, Nachlässigkeit, Unfall und/oder Verwendung oder Wartung entgegen der Gebrauchsanleitung zurückzuführen sind.
- Die Seriennummer ist beschädigt oder wurde entfernt.
- Schäden am Produkt, die auf gewöhnlichen Verschleiß zurückzuführen sind.
- Falsche Montage eines Teils oder Accessoires oder Einbau eines Teils oder Accessoires, das von einem Drittanbieter stammt und nicht mit dem Produkt kompatibel ist.
- Unbeabsichtigte oder zufällige Schäden, unsachgemäße Verwendung oder unzureichende Wartung.
- Falsche Lagerung/Pflege des Produkts.
- Schäden am Schiebegriff oder Bezug aufgrund der gewöhnlichen Verwendung des Produkts im Alltag.
- Löcher oder Risse in den Reifen.
- Schäden durch unsachgemäße Verwendung oder Nichtbeachtung der Gebrauchsanleitung.
- Schäden aufgrund von Reparaturen, die von Unbefugten durchgeführt wurden, oder aufgrund einer falschen Demontage des Produkts.

- Transportschäden (beim Transport in einem Flugzeug oder einem anderen Transportmittel): Überprüfen Sie Ihr Joolz Produkt nach dem Transport durch eine Luftfahrtgesellschaft (oder einen anderen Transporteur) sorgfältig. Im Schadensfall müssen Sie Ihre Forderung unmittelbar beim Transporteur geltend machen.
- Unzufriedenheit des Kunden mit dem Produkt aufgrund von Passform, Gewicht, Funktionalität, Farbe oder Design.

8 Jahre Zusatzgarantie

ERWEITERTE GARANTIE

Für alle Joolz Kinderwagen und Buggys, die ab dem 1. September 2022 auf Joolz.com registriert werden, gilt eine achtjährige Zusatzgarantie, sofern der Kinderwagen innerhalb von sechs Monaten nach dem Kauf registriert wird. Mit der kostenlosen Zusatzgarantie gewährleistet Joolz (als Hersteller), dass das Produkt frei von Material- und Fertigungsfehlern ist und dass das Produkt unter normalen Bedingungen zusätzlich zur Standardgarantie gemäß den Gebrauchsanleitungen und technischen Spezifikationen für einen Zeitraum von acht Jahren normal funktioniert. Wenn Sie eine Garantieforderung stellen, müssen Sie grundsätzlich eine Quittung vorlegen.

Die Herstellergarantie gilt lediglich in der Region, in der das Produkt erworben wurde.

DIE GARANTIE KANN FOLGENDES UMFASSEN:

- Ersatzteile, die vom Verbraucher oder Einzelhändler problemlos verwendet werden können
- Joolz liefert ausschließlich Ersatzteile, die gründlich getestet wurden und problemlos mit oder ohne Anleitung angebracht werden können.
- Joolz ersetzt Produkte ausschließlich durch vergleichbare Produkte. Dennoch behält Joolz sich das Recht vor, bestimmte Modelle, Farben, Bezüge oder Accessoires aus dem Sortiment zu nehmen. Bei einem Austausch innerhalb der Garantiezeit erhalten Verbraucher in einem solchen Fall ein anderes, gleichwertiges Produkt mit einer vergleichbaren Farbe oder einem vergleichbaren Bezug.
- Ersatzprodukte bieten keinen Anspruch auf Verlängerung der Garantiezeit.
- Die Garantie von Joolz erstreckt sich auch auf Defekte an Joolz-Produkten, die gebraucht erworben wurden, sofern der Kinderwagen nach dem Erwerb übertragen und auf Joolz.com registriert wurde.
- Ein Ersatzprodukt bietet keinen Anspruch auf Verlängerung der Garantiezeit.

WAS FÄLLT UNTER DIE ERWEITERTE GARANTIE?

- Die Garantie gilt für alle Joolz Kinderwagen und Joolz Aer, die am oder nach dem 1. September 2022 verkauft werden. Die kostenlose Zusatzgarantie deckt Folgendes ab:
- Sämtliche Fertigungsfehler im Zusammenhang mit Gestell, Wannrahmen, Sitzrahmen, Sitzteilen aus Kunststoff und Rädern.

WAS FÄLLT NICHT UNTER DIE ERWEITERTE GARANTIE?

- Gewöhnlicher Verschleiß
- Korrosion oder Rost an den Rädern und am Gestell aufgrund extremer Umgebungsbedingungen, z.B. hohe Feuchtigkeit, Salz, Eis oder Schnee, oder unzureichender Wartung
- Falsche Montage eines Teils oder Accessoires oder Einbau eines Teils oder Accessoires, das von einem Drittanbieter stammt und nicht zum ursprünglichen Design passt
- Unbeabsichtigte oder vorsätzliche Beschädigung, Missbrauch oder Unachtsamkeit
- Unsachgemäße Lagerung/Pflege des Produkts
- Schäden an den Griffen der Schiebebügel oder am Bezug durch normale und/oder tägliche Verwendung
- Unsachgemäße Verwendung des Produkts oder Verwendung entgegen den Anweisungen des Herstellers
- Reparatur oder Veränderung des Produkts durch Unbefugte oder Demontage des Produkts ohne Zustimmung von Joolz

- Beschädigung am Flughafen/beim Transport: Überprüfen Sie Ihr Joolz-Produkt sorgfältig nach dem Transport durch eine Fluggesellschaft (oder einen anderen Transporteur) und stellen Sie Ihre Forderung unmittelbar an den jeweiligen Transporteur.
- Unzufriedenheit des Kunden mit Eignung, Gewicht, Funktionalität, Farbe oder Design.
- Die Seriennummer ist beschädigt oder wurde entfernt.

Joolz behält sich das Recht vor, die Bedingungen der erweiterten Garantie nach eigenem Ermessen zu ändern.

WICHTIG

Die Herstellergarantie für dieses Produkt gilt für einen Zeitraum von 24 Monaten ab dem Erwerbsdatum, das auf der Quittung steht. Bewahren Sie die Quittung an einem sicheren Ort auf und erstellen Sie eine Kopie. Wenn Sie eine Forderung im Rahmen dieser Garantie stellen, wenden Sie sich bitte zunächst an das Geschäft, in dem Sie das Produkt erworben haben.

Wenn der Einzelhändler den Defekt nicht beheben kann oder wenn Sie das Produkt direkt bei Joolz erworben haben, senden Sie bitte eine E-Mail an info@joolz.com

Bei Mängeln, die innerhalb der Garantiezeit auftreten, wenden Sie sich bitte zunächst an das Geschäft, in dem Sie das Produkt erworben haben.

Joolz behält sich das Recht vor, die Bestimmungen dieser Herstellergarantie zu ändern. Sie finden die aktuellen Bestimmungen der Herstellergarantie auf unserer Website: joolz.com/warranty

AUSTAUSCHBARE TEILE

Wir sind stolz auf unsere hochwertigen Produkte, die höchsten Qualitätsansprüchen genügen. Bitte wenden Sie sich an Ihren Einzelhändler, wenn ein Teil Ihres Joolz-Produktes ersetzt werden muss. Außerdem finden Sie verfügbare Ersatzteile auf joolz.com

Standaard 2 jaar fabrieksgarantie

JOOLZ STANDAARD GARANTIE

De fabrikant, Milk Design BV, met hoofdkantoor in Amsterdam (verder in dit document aangeduid als "Joolz"), levert haar kinderwagens en accessoires (verder in dit document gezamenlijk en afzonderlijk aangeduid als "product") onder garantie, onderworpen aan de volgende voorwaarden:

1. De fabrieksgarantieperiode is 24 maanden, gerekend vanaf de datum van aanschaf zoals aangegeven op het aankoopbewijs. De resterende garantieperiode voor het oorspronkelijke product geldt voor een vervangend onderdeel of product, of een gerepareerd product.
2. Deze fabrieksgarantie geldt alleen in de regio waarin het product is gekocht.

Joolz garandeert alleen dat het product voldoet aan de wettelijke bepalingen en/of overheidsvoorschriften die gelden in het gebied waarin het product is verkocht.

Joolz behoudt zich het recht voor op toepassing van een afwijkende fabrieksgarantie voor die specifieke gebieden.

Deze fabrieksgarantie geldt enkel voor een product dat wordt aangeschaft voor particulier gebruik.

Deze fabrieksgarantie geldt uitdrukkelijk niet voor een product dat wordt gebruikt voor commerciële doeleinden, inclusief maar niet beperkt tot producten voor commerciële verhuur.

3. De fabrieksgarantie geeft recht op reparatie tenzij Joolz van mening is dat vervanging van het product noodzakelijk is.

4. Joolz behoudt zich het recht voor bepaalde modellen, kleuren, bekledingen of accessoires niet langer te voeren. Bij vervanging tijdens de garantieperiode zullen consumenten in dat geval een ander gelijkwaardig product ontvangen met een vergelijkbare kleur of bekleding. Joolz behoudt zich tevens het recht voor om een compleet onderstel te vervangen of om gereviseerde onderdelen te sturen als vervanging.
5. Om aanspraak te kunnen maken op de fabrieksgarantie, moet je aan Joolz het volgende verstrekken:
 - een kopie van het gedateerde aankoopbewijs,
 - een duidelijke beschrijving van de klacht en
 - het defecte product en/of foto's van het defecte onderdeel of product.
6. De fabrieksgarantie heeft geen invloed op je wettelijke rechten, bijvoorbeeld het recht om de retailer aansprakelijk te stellen voor defecten.

WAT VALT ER ONDER DE FABRIEKSGARANTIE?

De fabrieksgarantie is van toepassing op het product en dekt het volgende:

- alle fabricagefouten van het onderstel, het frame en de wielen;
- alle fabricagefouten van de adapters;
- ritsen;
- alle onderdelen van de gordel van je Joolz kinderwagen;
- naden in de bekleding;
- klittenbandsluitingen;
- kleurvastheid. Verkleuring die aan te merken is als normale slijtage is uitgesloten. Langdurige blootstelling aan zonlicht kan tot enige verkleuring leiden en valt onder normale slijtage.

DE FABRIEKSGARANTIE KOMT IN DE VOLGENDE OMSTANDIGHEDEN TE VERVALLEN:

- Wanneer je het product zelf hebt aangepast of gerepareerd, of dit hebt laten doen, zonder schriftelijke toestemming vooraf van Joolz of de retailer. Bij reparatie door een Joolz conscious point wordt de fabrieksgarantie behouden.
- Defecten die zijn veroorzaakt door verwaarlozing, nalatigheid of een ongeval en/of door gebruik of onderhoud anders dan beschreven in de gebruiksaanwijzing.
- Als het serienummer is beschadigd of verwijderd.
- Schade aan het product als gevolg van normale slijtage.
- Onjuiste montage of de installatie van een onderdeel of accessoire van derden dat niet compatibel is met het product.
- Onbedoelde of onopzettelijke schade, abnormaal gebruik of onvoldoende onderhoud.

- Onjuiste opslag/verzorging van het product.
- Schade aan de duwbeugel of bekleding als gevolg van normaal dagelijks gebruik van het product.
- Gat en/of scheuren in de banden.
- Schade door onjuist gebruik of door het niet naleven van de gebruiksaanwijzing.
- Schade als gevolg van reparaties die zijn uitgevoerd door onbevoegde personen of als gevolg van een onjuiste demontage van het product.
- Transportschade (bij vervoer in een vliegtuig of andere vervoersmiddelen): controleer je Joolz product zorgvuldig nadat dit door de luchtvaartmaatschappij (of een andere vervoerder) is getransporteerd. Dien bij schade onmiddellijk een claim in bij de vervoerder.

Ontevredenheid van de klant over het product met betrekking tot pasvorm, gewicht, functionaliteit, kleur of ontwerp.

8 jaar aanvullende garantie

UITGEBREIDE GARANTIE

Alle Joolz kinderwagens en buggy's die vanaf 1 september 2022 op Joolz.com zijn geregistreerd, krijgen acht jaar extra garantie mits de kinderwagen binnen zes maanden na aankoop is geregistreerd. Voor gratis extra garantie garandeert Joolz (als fabrikant) consumenten dat het product vrij is van materiaal- en fabricagefouten en garandeert Joolz een normale werking onder normale omstandigheden, overeenkomstig gebruikershandleidingen en technische specificaties, gedurende acht jaar extra na de standaard garantie. In alle gevallen moet bij het indienen van een garantieclaim een aankoopbewijs worden overlegd.

De fabrieksgarantie geldt alleen in de regio waarin het product is gekocht.

DE GARANTIE KAN BESTAAN UIT:

- Vervangende onderdelen die eenvoudig kunnen worden gebruikt door de consument of retailer
- Joolz levert uitsluitend onderdelen die grondig zijn getest en die eenvoudig kunnen worden gemonteerd met of zonder instructies.
- Joolz vervangt producten alleen voor soortgelijke producten. Desondanks houdt Joolz zich het recht voor om bepaalde modellen, kleuren, bekledingen of accessoires niet langer te voeren. Bij vervanging tijdens de garantieperiode zullen consumenten in dat geval een ander gelijkwaardig product ontvangen met een vergelijkbare kleur of bekleding.
- Vervangingen geven geen recht op verlenging van de garantieperiode.
- Onder de Joolz garantie vallen ook defecten aan Joolz producten die tweedehands zijn gekocht mits de kinderwagen na aankoop is overgedragen en geregistreerd is op joolz.com.
- Het vervangende product geeft geen recht op verlenging van de garantieperiode.

WAT VALT ONDER DE UITGEBREIDE GARANTIE?

- De garantie geldt voor alle Joolz kinderwagens en Joolz Aer die zijn verkocht op of na 1 september 2022. De gratis extra garantie dekt het volgende:
 - Alle fabrieksfouten betreffende het onderstel, wiegframes, stoelframes, kunststof stoelonderdelen en wielen

WAT VALT NIET ONDER DE UITGEBREIDE GARANTIE?

- Normale slijtage
- Corrosie- of roestvorming op de wielen en het onderstel door extreme omgevingsfactoren, waaronder hoge vochtigheid, zout, ijs of sneeuw of door onvoldoende onderhoud
- Onjuiste montage of de installatie van een onderdeel of accessoire van derden dat niet compatibel is met het oorspronkelijke design
- Onopzettelijke of opzettelijke beschadiging, misbruik of verwaarlozing
- Onjuiste opslag van/zorg voor het product
- Schade aan de handgrepen van de duwbeugel of bekleding als gevolg van normaal en/of dagelijks gebruik
- Wanneer het product niet op normale wijze en overeenkomstig de instructies van de fabrikant is gebruikt
- Als een reparatie of modificatie is uitgevoerd door een onbevoegde of als het product is gedemonteerd zonder toestemming van Joolz
- Luchthaven-/transport schade: controleer je Joolz-product zorgvuldig nadat het is verwerkt door een luchtvaartmaatschappij (of andere transporteur) en dien de claim rechtstreeks in bij de betreffende transporteur.

- Ontevredenheid over het product bij consumenten betreffende geschiktheid, gewicht, functionaliteit, kleur of stijl
- Als het serienummer is beschadigd of verwijderd.

Joolz houdt zich het recht voor de voorwaarden van de uitgebreide op enig moment te wijzigen.

BELANGRIJK

De fabrieksgarantieperiode voor dit product is 24 maanden vanaf de aankoopdatum die op de bon is vermeld. Bewaar de bon op een veilige plek en maak hier een kopie van.

Als je een claim indient onder deze garantie, neem dan eerst contact op met de winkel waar je het product hebt gekocht.

Wanneer de retailer het defect niet kan repareren of wanneer je het product direct bij Joolz hebt gekocht, neem dan contact op met Joolz door een e-mail te sturen naar info@joolz.com

Voor klachten die zich voordoen buiten de garantieperiode neem je ook eerst contact op met de winkel waar je het product hebt gekocht.

Joolz behoudt zich het recht voor om de bepalingen van deze fabrieksgarantie te wijzigen. U vindt de bepalingen van de meest actuele fabrieksgarantie op onze website: joolz.com/warranty

VERVANGBARE ONDERDELEN

Wij zijn er trots op dat wij hoogwaardige producten maken die voldoen aan de hoogste kwaliteitsnormen. Neem contact op met je retailer wanneer je een onderdeel van je Joolz product moet vervangen. Of koop beschikbare onderdelen direct via joolz.com

Garantie standard de 2 ans du fabricant

GARANTIE STANDARD JOOLZ

Le fabricant, Milk Design BV, dont le siège social est situé à Amsterdam (ci-après dénommé « Joolz » dans le présent document), livre ses poussettes et accessoires (ci-après dénommés conjointement et séparément « produit » dans le présent document) sous garantie, aux conditions suivantes:

1. La période de garantie du fabricant est de 24 mois à compter de la date d'achat, comme indiqué sur la preuve d'achat. La période de garantie restante pour le produit original concerne une pièce ou un produit de remplacement, ou un produit réparé.
2. Cette garantie du fabricant s'applique uniquement dans la région où le produit a été acheté.

Joolz garantit uniquement que le produit est conforme aux dispositions légales et/ou aux réglementations gouvernementales applicables dans la région dans laquelle le produit a été vendu.

Joolz se réserve le droit d'appliquer une garantie du fabricant différente pour ces régions spécifiques.

Cette garantie du fabricant s'applique uniquement à un produit acheté pour un usage privé.

Cette garantie du fabricant ne s'applique expressément pas à un produit utilisé à des fins commerciales, y compris, mais sans s'y limiter, les produits destinés à la location commerciale.

3. La garantie du fabricant donne droit à une réparation, sauf si Joolz estime que le remplacement du produit est nécessaire.

4. Joolz se réserve le droit de ne plus proposer certains modèles, couleurs, habillages ou accessoires. En cas de remplacement pendant la période de garantie, le consommateur recevra dans ce cas un autre produit équivalent de couleur ou d'habillage similaire. Joolz se réserve en outre le droit de remplacer un châssis entier ou d'envoyer des pièces reconditionnées en remplacement.
5. Afin de faire valoir la garantie du fabricant, vous devez fournir à Joolz les éléments suivants:
 - une copie de la preuve d'achat datée,
 - une description claire de la plainte et
 - le produit défectueux et/ou des photos de la pièce ou du produit défectueux.
6. La garantie du fabricant n'affecte pas vos droits légaux, par exemple le droit de tenir le détaillant responsable des défauts.

QU'EST-CE QUI EST COUVERT PAR LA GARANTIE DU FABRICANT?

La garantie du fabricant s'applique au produit et couvre ce qui suit:

- tous les défauts de fabrication sur le châssis, le cadre et les roues;
- tous les défauts de fabrication des adaptateurs;
- les zips;
- toutes les pièces du harnais de votre poussette Joolz;
- les coutures de l'habillage;
- les fermetures velcro;
- la solidité des couleurs. Les décolorations qui peuvent être considérées comme une usure normale sont exclues. Une exposition prolongée à la lumière du soleil peut entraîner une certaine décoloration et est considérée comme une usure normale.

LA GARANTIE DU FABRICANT EST ANNULÉE DANS LES CIRCONSTANCES SUIVANTES:

- Si vous avez modifié ou réparé vous-même le produit, ou si vous l'avez fait modifier ou réparer, sans le consentement écrit préalable de Joolz ou du détaillant. En cas de réparation par un conscient point Joolz, la garantie du fabricant sera maintenue.
- Les défauts causés par une négligence, un manque d'attention ou un accident et/ou par une utilisation ou un entretien autres que ceux décrits dans le mode d'emploi.
- Si le numéro de série est endommagé ou retiré.
- Les dommages au produit résultant de l'usure normale.
- Le montage incorrect ou l'installation d'une pièce ou d'un accessoire de tiers incompatible avec le produit.
- Les dommages accidentels ou involontaires, une utilisation anormale ou un entretien insuffisant.
- Un entreposage/entretien inadéquat du produit.
- Les dommages au guidon ou à l'habillage résultant d'une utilisation quotidienne normale du produit.
- Les trous ou fissures dans les pneus.
- Les dommages dus à une utilisation incorrecte ou au non-respect du mode d'emploi.
- Les dommages résultant de réparations effectuées par des personnes non autorisées ou d'un démontage incorrect du produit.
- Les dommages liés au transport (en cas de transport par avion ou autre moyen de transport): inspectez soigneusement votre produit Joolz après son transport par la compagnie aérienne (ou un autre transporteur). En cas de dommage, déposez immédiatement une réclamation auprès du transporteur.

L'insatisfaction du client concernant le produit en termes d'ajustement, de poids, de fonctionnalité, de couleur ou de conception

8 ans de garantie supplémentaire

GARANTIE PROLONGÉE

Toutes les poussettes et buggys Joolz enregistrés sur Joolz.com à partir du 1er septembre 2022 bénéficieront d'une garantie supplémentaire de 8 ans, à condition que la poussette soit enregistrée dans les six mois suivant son achat. Pour la garantie supplémentaire gratuite, Joolz (en tant que fabricant) garantit au consommateur que le produit est exempt de défauts de matériaux et de fabrication et garantit un fonctionnement normal dans des conditions normales, conformément aux manuels d'utilisation et aux spécifications techniques, pour une période supplémentaire de huit ans au-delà de la garantie standard. Dans tous les cas, la preuve d'achat doit être présentée lorsqu'il est fait appel à la garantie.

La garantie du fabricant s'applique uniquement dans la région où le produit a été acheté.

LA GARANTIE PEUT INCLURE:

- Les pièces de rechange pouvant être facilement utilisées par le consommateur ou le détaillant
- Joolz fournit uniquement des pièces qui ont été testées de manière approfondie et qui peuvent être montées facilement avec ou sans instructions.
- Joolz remplace uniquement les produits par des produits similaires. Néanmoins, Joolz se réserve le droit de ne plus proposer certains modèles, couleurs, habillages ou accessoires. En cas de remplacement pendant la période de garantie, le consommateur recevra dans ce cas un autre produit équivalent de couleur ou d'habillage similaire
- Les remplacements ne donnent pas droit au consommateur à une prolongation de la période de garantie.
- La garantie Joolz couvre également les défauts des produits Joolz achetés d'occasion, à condition que la poussette ait été transférée après l'achat et enregistrée sur joolz.com.

- Le produit de remplacement ne donne pas droit à une prolongation de la période de garantie.

QU'EST-CE QUI EST COUVERT PAR LA GARANTIE PROLONGÉE?

- La garantie s'applique à toutes les poussettes Joolz et Joolz Aer vendues le 1er septembre 2022 ou après cette date. La garantie supplémentaire gratuite couvre les éléments suivants:
- Tous les défauts de fabrication concernant le châssis, les cadres de nacelle, les cadres de siège, les pièces de siège en plastique et les roues.

QU'EST-CE QUI N'EST PAS COUVERT PAR LA GARANTIE PROLONGÉE?

- L'usure normale
- La corrosion ou la rouille des roues et du châssis causée par des conditions environnementales extrêmes, notamment une humidité élevée, du sel, de la glace ou de la neige, ou par un entretien inadéquat
- Le montage incorrect ou l'installation d'une pièce ou d'un accessoire de tiers incompatible avec le design original
- Les dommages accidentels ou délibérés, une utilisation anormale ou la négligence.
- L'entreposage/entretien inadéquat du produit
- Les dommages aux poignées du guidon ou à l'habillage résultant d'une utilisation normale et/ou quotidienne
- Lorsque le produit n'a pas été utilisé de manière normale et conformément aux instructions du fabricant
- Si une réparation ou une modification a été effectuée par une personne non autorisée ou si le produit a été démonté sans le consentement de Joolz

- Les dommages causés dans un aéroport/liés au transport: vérifiez soigneusement votre produit Joolz après qu'il ait été manipulé par une compagnie aérienne (ou un autre transporteur) et soumettez la réclamation directement au transporteur concerné.
- Une insatisfaction du consommateur concernant l'adéquation, le poids, la fonctionnalité, la couleur ou le style du produit
- Si le numéro de série est endommagé ou retiré.

Joolz se réserve le droit de modifier à tout moment les conditions de la garantie prolongée.

IMPORTANT

La période de garantie du fabricant pour ce produit est de 24 mois à compter de la date d'achat indiquée sur le reçu. Veuillez conserver le reçu dans un endroit sûr et en faire une copie. Si vous faites une réclamation au titre de cette garantie, veuillez d'abord contacter le détaillant où vous avez acheté le produit.

Si le détaillant n'est pas en mesure de réparer le défaut, ou si vous avez acheté le produit directement chez Joolz, veuillez contacter Joolz en envoyant un courriel à info@joolz.com

Pour les plaintes qui surviennent en dehors de la période de garantie, veuillez également contacter d'abord le magasin où vous avez acheté le produit.

Joolz se réserve le droit de modifier les conditions de cette garantie du fabricant. Vous trouverez les conditions de la dernière version de la garantie du fabricant sur notre site Interne: joolz.com/warranty

PIÈCES REMPLAÇABLES

Nous sommes fiers de fabriquer des produits de haute qualité qui répondent aux normes de qualité les plus élevées. Veuillez contacter votre détaillant au cas où vous auriez besoin de remplacer une pièce de votre produit Joolz. Ou achetez les pièces détachées disponibles directement sur joolz.com

Garantía estándar de 2 años del fabricante

GARANTÍA ESTÁNDAR DE JOOLZ

El fabricante, Milk Design BV, con sede en Ámsterdam (en lo sucesivo, «Joolz»), ofrece sus cochecitos y accesorios (en lo sucesivo denominados conjunta y separadamente «producto») con garantía, con arreglo a las siguientes condiciones:

1. El periodo de garantía del fabricante es de 24 meses a partir de la fecha de compra indicada en el comprobante de compra. El periodo de garantía restante para el producto original es para una pieza o producto de reemplazo, o un producto reparado.
2. Esta garantía del fabricante solo es válida en la región donde se compró el producto.

Joolz solo garantiza que el producto cumple las disposiciones legales y/o normativas gubernamentales vigentes en la zona donde se vendió el producto.

Joolz se reserva el derecho de aplicar una garantía del fabricante diferente para esas regiones específicas.

Esta garantía del fabricante solo es aplicable para un producto adquirido para uso particular.

Esta garantía del fabricante no se aplica expresamente a un producto utilizado con fines comerciales, incluidos, entre otros, los productos para alquiler comercial.

3. La garantía del fabricante da derecho a la reparación, a menos que Joolz considere necesario sustituir el producto.

4. Joolz se reserva el derecho de suspender determinados modelos, colores, telas o accesorios. En caso de sustitución durante el periodo de garantía, los consumidores recibirán otro producto equivalente con un color o tela similar. Además, Joolz se reserva el derecho de sustituir el chasis completo o de enviar piezas reacondicionadas como sustitución.
5. Para poder reclamar la garantía del fabricante, deberás proporcionar a Joolz lo siguiente:
 - Una copia del comprobante de compra con fecha;
 - Una descripción clara de la reclamación; y
 - El producto defectuoso y/o fotos de la pieza o producto defectuoso.
6. La garantía del fabricante no afecta a tus derechos legales, por ejemplo, el derecho de responsabilizar al vendedor de los defectos.

¿QUÉ CUBRE LA GARANTÍA DEL FABRICANTE?

La garantía del fabricante se aplica al producto y cubre lo siguiente:

- Todos los defectos de fabricación del chasis, el bastidor y las ruedas;
- Todos los defectos de fabricación de los adaptadores;
- Cremalleras;
- Todos los componentes del arnés de tu cochecito Joolz;
- Costuras en la tela;
- Cierres de velcro;
- Solidez del color. Quedan excluidas las decoloraciones que se pueden considerar como desgaste normal. La exposición prolongada a la luz solar puede provocar cierta decoloración y se considera como desgaste normal.

LA GARANTÍA DEL FABRICANTE QUEDARÁ INVALIDADA EN LOS SIGUIENTES CASOS:

- En el caso de que hayas modificado o reparado el producto por tu cuenta, o de que hayas encargado su reparación, sin el permiso previo por escrito de Joolz o del minorista. En caso de reparación en un conscious point de Joolz, se mantendrá la garantía del fabricante.
- Defectos causados por descuido, negligencia o accidente y/o por un uso o mantenimiento distinto al descrito en las instrucciones de uso.
- Si el número de serie está dañado o se ha retirado.
- Daños en el producto debidos al desgaste normal.
- Montaje incorrecto o instalación de una pieza o accesorio de terceros que no sea compatible con el producto.
- Daños no intencionados o involuntarios, uso anormal o mantenimiento insuficiente.
- Almacenamiento/cuidado inadecuado del producto.
- Daños en el mango o la cubierta como resultado del uso diario normal del producto.
- Agujeros o grietas en los neumáticos.
- Daños debidos a un uso inadecuado o a la inobservancia de las instrucciones de uso.
- Los daños debidos a reparaciones efectuadas por personas no autorizadas o a un desmontaje incorrecto del producto.
- Daños de transporte (en caso de transporte por avión u otro medio de transporte): inspecciona cuidadosamente tu producto Joolz después de que haya sido transportado por la compañía aérea (u otro medio de transporte). En caso de daños, presenta inmediatamente una reclamación al transportista.

Insatisfacción del cliente con el producto en cuanto a ajuste, peso, funcionalidad, color o diseño.

8 años de garantía adicional

GARANTÍA AMPLIADA

Todos los cochecitos y sillas de paseo Joolz registrados en Joolz.com a partir del 1 de septiembre de 2022 recibirán una garantía ampliada de 8 años si se registran en los seis meses siguientes a la compra. Para la garantía adicional gratuita, Joolz (como fabricante) garantiza a los consumidores que el producto está libre de defectos en los materiales y la mano de obra, y garantiza el funcionamiento normal en condiciones normales, de acuerdo con los manuales de usuario y las especificaciones técnicas, durante ocho años adicionales una vez expirada la garantía estándar. En todos los casos, al hacer una reclamación de garantía, se debe presentar un comprobante de compra.

La garantía del fabricante solo es válida en la región donde se compró el producto.

LA GARANTÍA PUEDE INCLUIR:

- Piezas de repuesto que pueden ser fácilmente utilizadas por el consumidor o el minorista;
- Joolz solo entregará piezas de repuesto que hayan sido probadas a fondo y que se puedan montar fácilmente con o sin instrucciones;
- Joolz solo sustituirá los productos por otros similares. No obstante, Joolz se reserva el derecho de suspender determinados modelos, colores, fundas o accesorios. En caso de sustitución durante el periodo de garantía, los consumidores recibirán otro producto equivalente con un color o tela similar.
- Las sustituciones no dan derecho a una ampliación del periodo de garantía.
- La garantía de Joolz también cubre los defectos de los productos Joolz comprados de segunda mano, siempre que el cochecito se haya transferido después de la compra y se haya registrado en joolz.com.
- El producto de sustitución no da derecho a una ampliación del periodo de garantía.

¿QUÉ CUBRE LA GARANTÍA AMPLIADA?

- La garantía es válida para todos los cochecitos Joolz y Joolz Aer que se hayan vendido a partir del 1 de septiembre de 2022. La garantía ampliada gratuita cubre lo siguiente:
- Todos los defectos de fábrica relativos al chasis, bastidores del capazo, bastidores de la silla, las piezas de plástico de las sillas y las ruedas

¿QUÉ NO CUBRE LA GARANTÍA AMPLIADA?

- El desgaste normal;
- La corrosión u oxidación en las ruedas y el chasis debido a condiciones ambientales extremas, incluyendo un alto grado de humedad, sal, hielo o nieve, o debido a un mantenimiento inadecuado;
- Montaje incorrecto o instalación de una pieza o accesorio de terceros que no sea compatible con el diseño original;
- Daños involuntarios o deliberados, abuso o negligencia;
- El almacenamiento/cuidado inadecuado del producto;
- Daños en las asas del manillar o en la tela como consecuencia del uso normal y/o diario;
- Cuando el producto no se ha utilizado de una manera normal o no se ha utilizado de acuerdo con las instrucciones del fabricante;
- Si una persona no autorizada ha realizado una reparación o modificación o si el producto se ha desmontado sin permiso de Joolz;
- Daños en el aeropuerto/transporte: comprueba cuidadosamente tu producto Joolz después de que haya sido procesado por una aerolínea (u otro transportista) y presenta la reclamación directamente al transportista correspondiente;
- Insatisfacción del consumidor con el producto en cuanto a su idoneidad, peso, funcionalidad, color o estilo;

- Si el número de serie está dañado o se ha retirado.

Joolz se reserva el derecho de modificar los términos y condiciones en cualquier momento.

IMPORTANTE

El periodo de garantía del fabricante para este producto es de 24 meses a partir de la fecha de compra indicada en el recibo. Guarda el recibo en un lugar seguro y haz una copia del mismo. Cuando hagas una reclamación en virtud de esta garantía, ponte primero en contacto con el distribuidor al que le compraste el producto.

En el caso de que el minorista no pueda reparar el defecto o si has comprado el producto directamente a Joolz, ponte en contacto con Joolz enviando un correo electrónico a info@joolz.com

Para las reclamaciones que se produzcan fuera del periodo de garantía, dirígete también primero a la tienda donde compraste el producto.

Joolz se reserva el derecho de modificar las condiciones de esta garantía del fabricante. Puedes encontrar las condiciones de la garantía del fabricante más actualizadas en nuestro sitio web: joolz.com/warranty

COMPONENTES REEMPLAZABLES

Nos enorgullece fabricar productos de primera clase que cumplen los más altos estándares de calidad. Ponte en contacto con tu distribuidor en el caso de que necesites sustituir una pieza de tu producto Joolz. O compra directamente las piezas de recambio disponibles a través de joolz.com

Hello New World

JOO LZ

Enjoy the ride #myjoolz