

TWEETER BMW

Technical Sheet

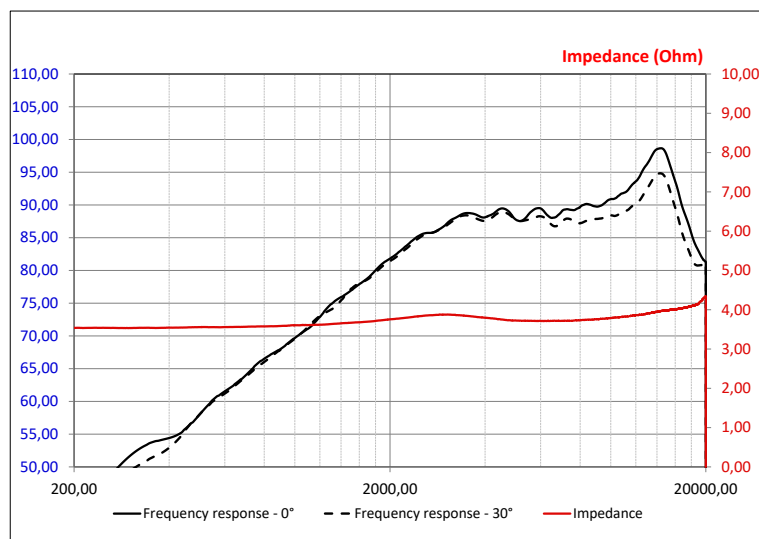
Tweeter



SPECIFICATIONS

Nominal power	20 W
Maximum power	80 W
Sensitivity	90 dB
Nom. impedance	4 Ω
Cone	Aluminium Magnesium
Surround	Poron
DC resistance	3.6 Ω
VC diameter	20mm 1"
Former	Kapton
Layers	2
Wire	Alu
Net weight	60g 0.13lb

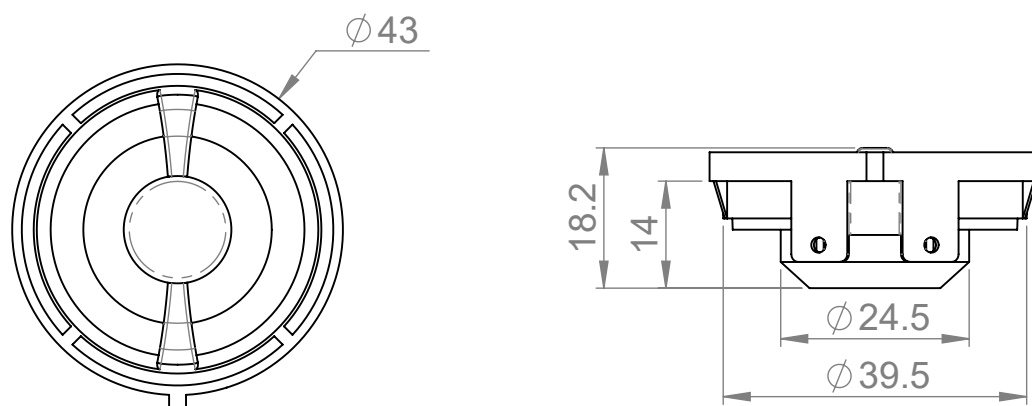
FREQUENCY RESPONSE/IMPEDANCE



PARAMETERS

Rdc	3.5 Ω
Fs	2500 Hz

MECHANICAL DRAWING



FOCAL® INSIDE

Focal® is a trademark of Focal-JMLab® - www.focal.com - SCAA190926/1

FOCAL®
LISTEN BEYOND