

USER INSTRUCTIONS

PALETTE DESK JH9

BY JAIME HAYON
2015



Congratulations on choosing this original Palette JH9 desk, designed in 2015 by Jaime Hayon. We hope you will enjoy using this product and follow these instructions to ensure correct assembly. If you have any questions or comments, please do not hesitate to contact us by mail on:

info@andtradition.com

CONTENTS

- A - Stained ash table top and metal legs pre-assembled
- B - Small brass/marble table top with threaded rod
- C - Washer

Please read these instructions carefully and retain them for future reference to ensure that the desk is used correctly. For your own safety, please study each step of this instruction manual first. &tradition is not responsible for any faults or damages caused by not following these instructions correctly.

SAFETY PRECAUTIONS

- Dispose of plastic bag from packaging and do not allow children to play with it.
- Keep product well out of children's reach.
- The desk is only intended for interior use.
- Handle brass/marble table top with care as brass may bend and get scratched, whereas marble may break.
- Please note that marble is very heavy.

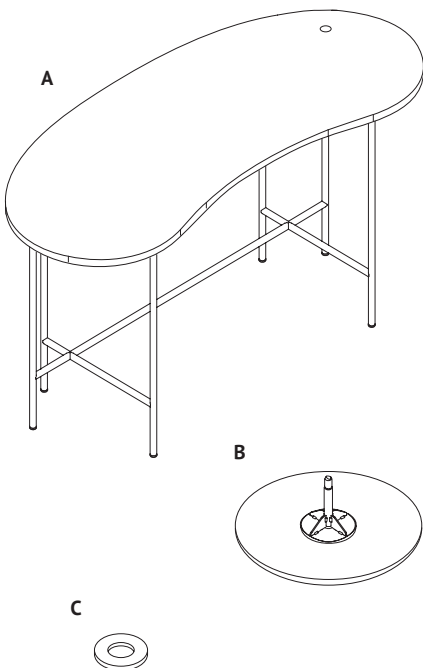
CLEANING INSTRUCTIONS

The Palette Desk table is made from powder coated steel, stained ash veneer and either polished marble or brass. Never use aggressive or abrasive cleaning detergents for any parts of the desk table, as this will cause irreparable damage.

Dust ash table top with a soft cloth. Clean ash table top with a soft cloth wrung in a solution of water and universal cleaning detergent following the wood grains and dry immediately with a soft cloth, again following the wood grains. Avoid use of abrasive cleaning products such as steel wool or polish. Avoid placing lacquered and stained wood in excessive humidity or heat.

Grey-green desk

The brass plate for the grey-green desk is uncoated and will therefore develop a unique and beautiful patina over time. Being uncoated, it is sensitive to liquids so it is strongly

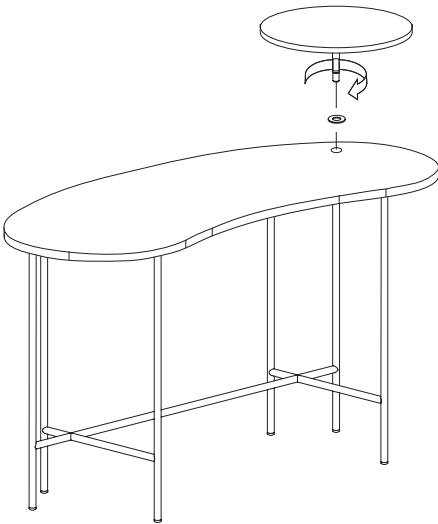


recommended to use a trivet and never place glasses or cups with liquids directly on to the brass plate. Spilled liquids may leave permanent stains. To ensure the brass will look beautiful for years to come, please only use a dry soft cloth to clean.

Red and black stained desk

The marble plate for the red and black stained desks is made from natural marble and will therefore have variations in structure and colour. This should not be considered a defect nor a valid reason for claims. The marble is treated with sealer, but it is strongly recommended to use a trivet and never place glasses or cups with liquids directly on to the marble. Spilled liquids will leave permanent stains due to the natural sensitivity of marble.

For daily cleaning of the marble top it is recommended to use a cleaning agent specifically developed for stone or marble. It is also highly recommended to do a re-sealing of the marble every second month, using an appropriate sealer developed specifically for stone or marble.



STEP 1

Unpack desk table and washer, avoiding to unpack brass/marble table top yet. Please only remove packing around rod and leave on packing material for the brass/marble table top for protection during assembly.

STEP 2

Place washer on top of hole in the desk table top.

STEP 3

Mount brass/marble table top on the desk by screwing together rod and desk.

Important! Do not mount by holding the table top, but hold the rod instead.

Fix firmly together.

STEP 4

Remove packing material from brass/marble table top.

Important! The brass is brushed and grain direction of brushed finish will vary.

This should not be considered a defect nor a valid reason for claims.