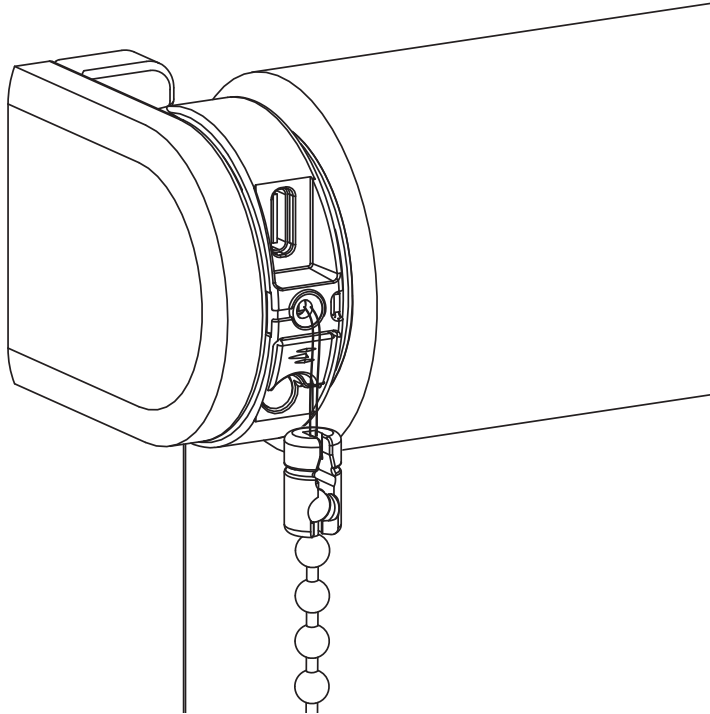


SETUP GUIDE

ROLLER BLIND

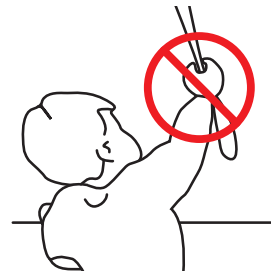
EN

MOTOR CM-03-E



WARNING

Read the instructions carefully before assembling and using the product. Assembly can be completed by non-professionals. For indoor use only.



- Young children can strangle themselves with the loop of pull cords, chains and tapes, and cords that operate window coverings.
- To avoid strangulation and entanglement, keep cords out of reach of young children.
- Cords may ensnare a child's neck.
- Move beds, cots and furniture away from window covering cords.
- Do not tie cords together.
- Make sure cords do not twist together and form a loop.

2

Cleaning

Follow these general rules when cleaning the outside of the device and its components:

- Use a damp, soft, lint-free cloth. Avoid getting moisture in openings.
- Do not use aerosol sprays, solvents, alcohol, or abrasives.

Service & Support

Do not perform repairs yourself. Do not attempt to open the device or disassemble it. You run the risk of electric shock and voiding the limited warranty. No user-serviceable parts are inside.

Warranty Service

First follow the advice in this manual. If the product appears to be damaged or does not function properly, go to your local dealer for instructions on how to obtain warranty service.

Recycle

This marking indicates that this product should not be disposed with other household wastes throughout the EU. To prevent possible harm to the environment or human health from uncontrolled waste disposal, recycle it responsibly to promote the sustainable reuse of material resources. To return your used device, please use the return and collection systems or contact the retailer where the product was purchased. They can take this product for environmental safe recycling.

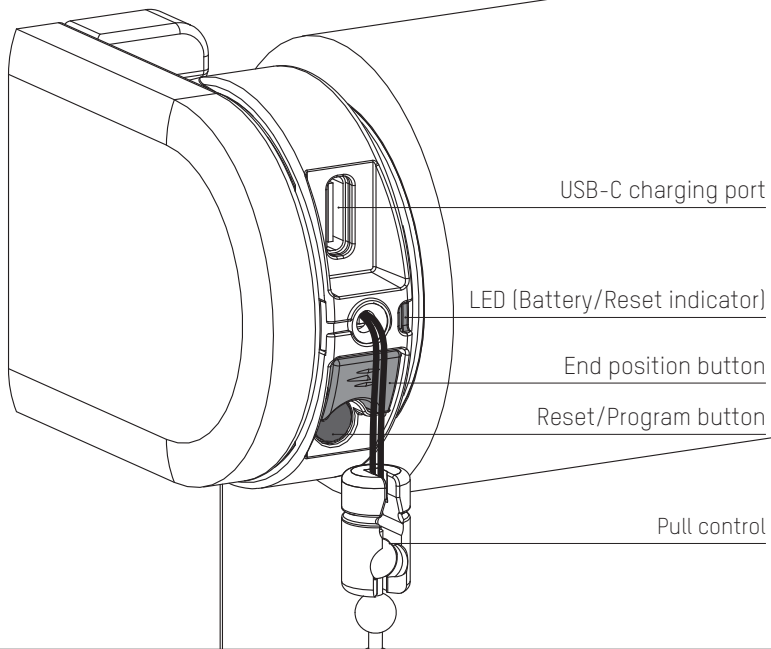


IP 20



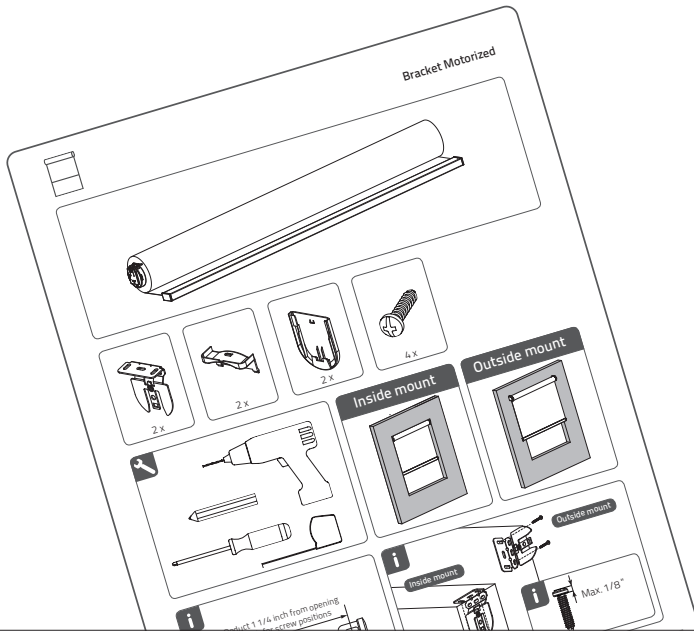
Conforms to
UL Std. 325
Certified to
CSA Std. C22.2#247

i Buttons and functions



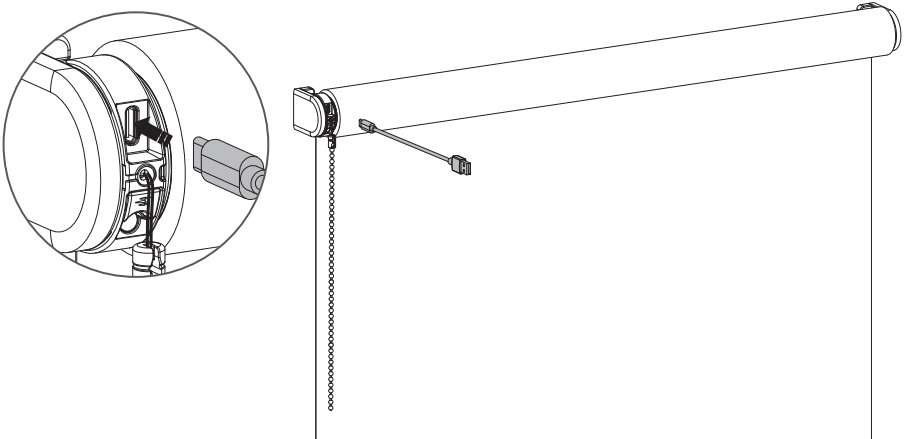
1 Install the blind

Follow the steps in the installation instructions to install the blind.



2 Activate the blind

To activate the blind, connect it to a standard USB-C 5V power supply via a USB-C cable. This can be your smartphones power adapter, for example.



3 Add Eve MotionBlinds to your platform

Add Eve MotionBlinds to the platform of your choice and make sure to have a compatible Thread Border Router.

More information : motionblinds.com/eve/matter

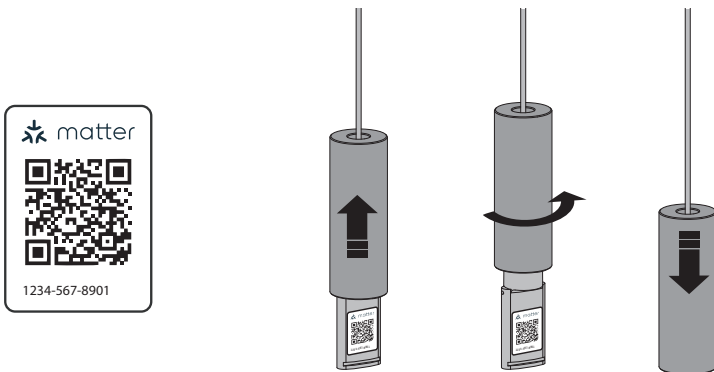


4 Setup the blind

Now you can easily add Eve MotionBlinds to your smart home in just a few steps by scanning the Matter Setup Code using the app of your favorite platform. Scan the Matter Setup Code to add it your platform.

Eve MotionBlinds needs end positions to work properly. End positions can be programmed in two ways. In the Eve app or by the end position programming button on your blind. (Step 5)

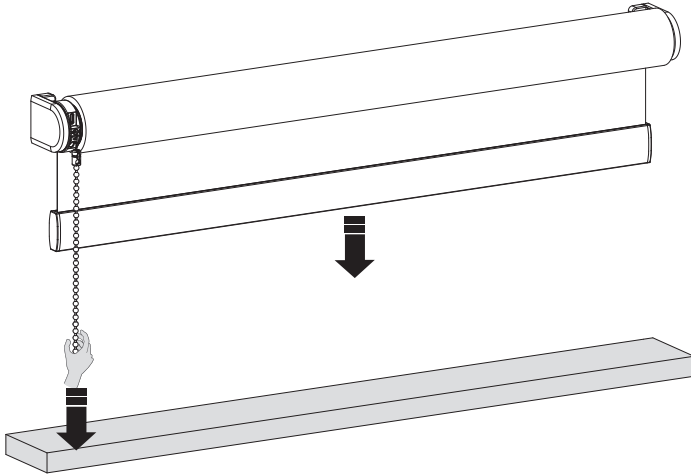
After scanning you can hide your Matter Setup Code.



5 Set end positions

Beside setting the end positions by the app you are able to set the end positions by pressing the button on the motor. Pull and hold the chain until the blind has reached the bottom position. If the blind moves in the opposite direction, release the chain and pull and hold again.

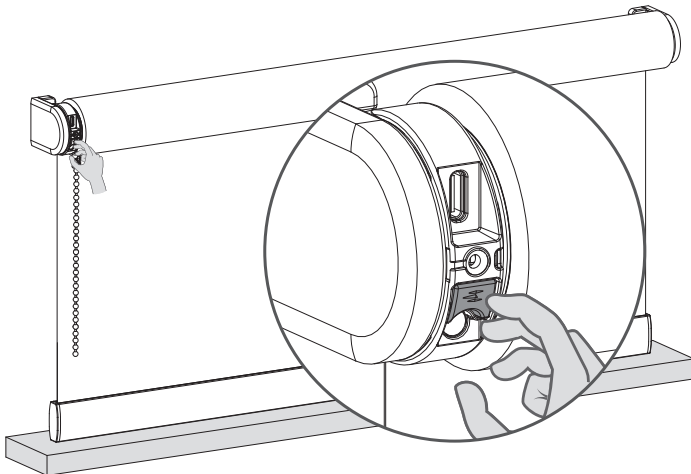
Adjust until the desired bottom position has been reached.



6

6 Save your bottom position

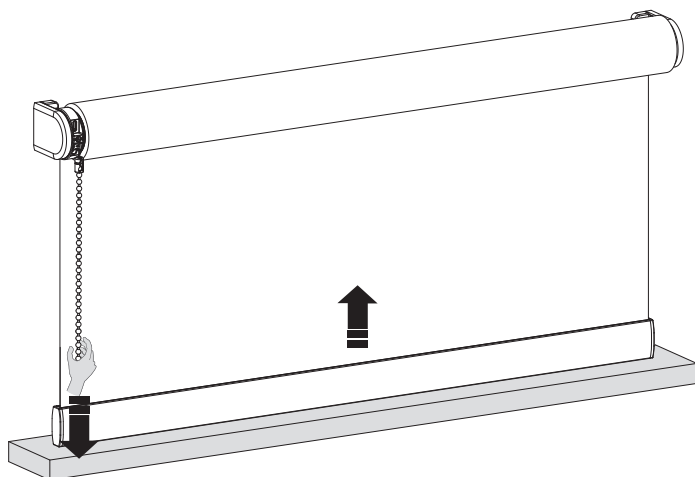
When your blind is positioned at your bottom position hold the button until the blind moves up and down to save your bottom position.



7 Move your blind to the top position

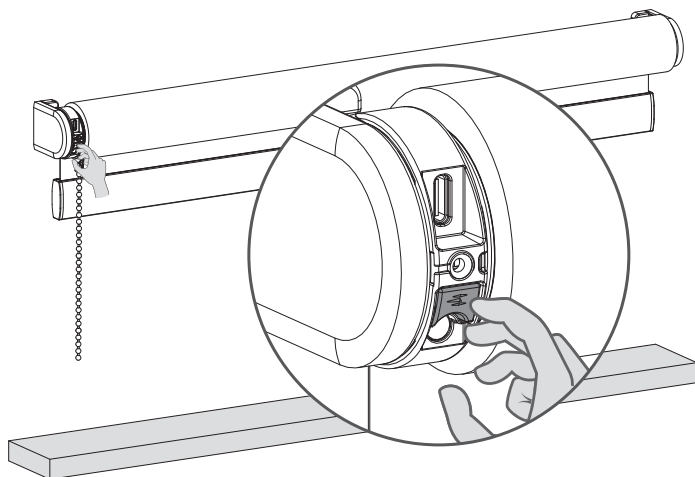
Pull and hold the chain until the blind has reached the top position. If the blind moves in the opposite direction, release the chain and pull and hold again.

Adjust until the desired top position has been reached.



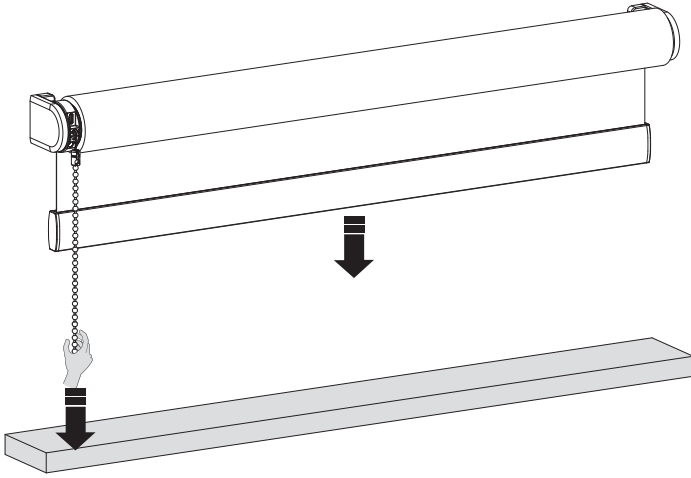
8 Save your top position

When your blind is positioned at your top position hold the button until the blind moves up and down to save your top position.



9 Adjust your end positions

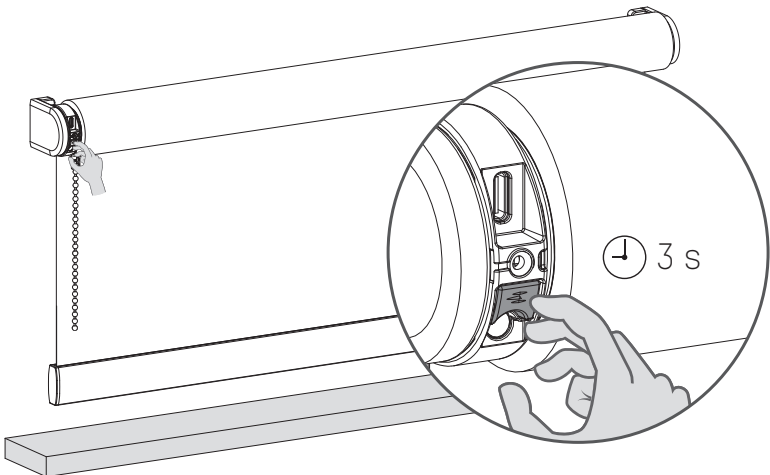
To adjust one of your end positions you need to place your blind at the end position you want to adjust. Pull and wait until the blind has reached the end position you want to adjust.



8

10 Remove your (bottom/top) position

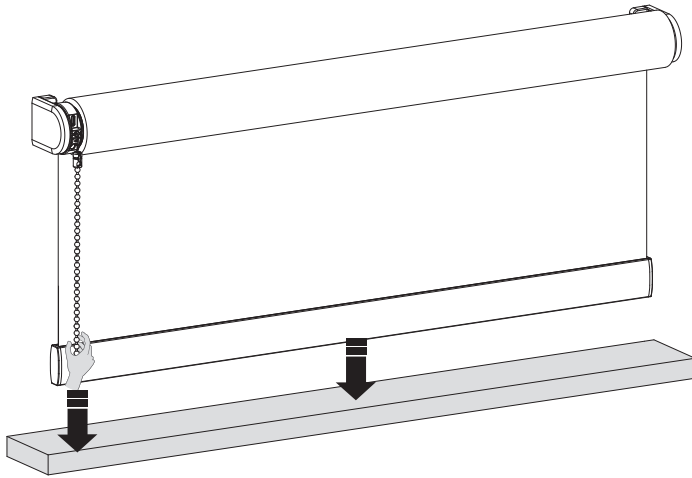
Hold the end position program button for 3 seconds to remove your (bottom/top) position. The blind will step up and down once to confirm that your end position has been removed. You are now able to set a new (bottom/top) position.



11 Move your blind to the new (bottom) position

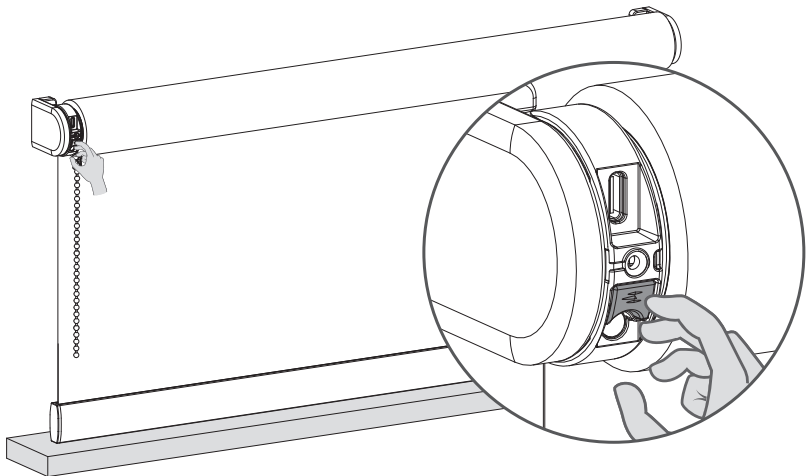
Pull and hold the chain until the blind has reached the bottom position. If the blind moves in the opposite direction, release the chain and pull and hold again.

Adjust until the desired bottom position has been reached.



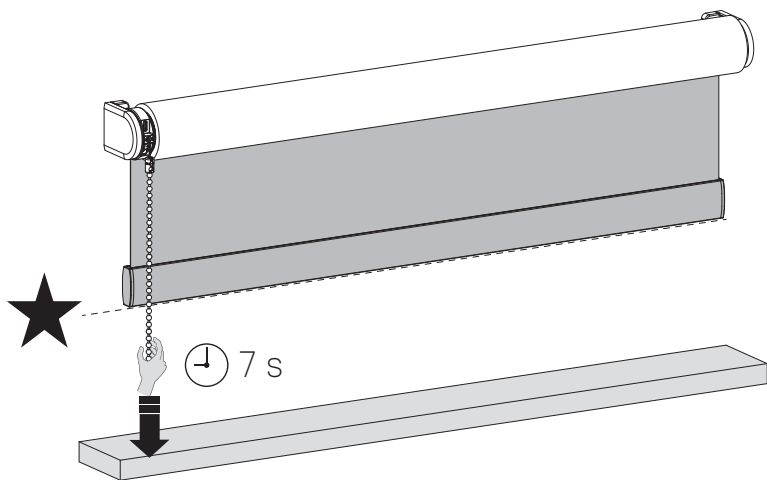
12 Save your (bottom) position

When your blind is positioned at your bottom position hold the button until the blind moves up and down to save your bottom position.



13 Save the favorite position

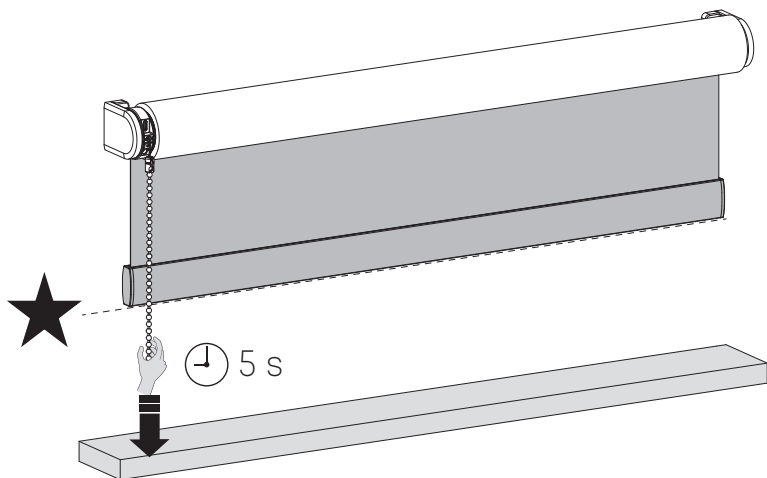
When there is no favorite position programmed you need to position your blind at your favorite position. When the blind is at your favorite position hold the pull until the blind steps up and down once. (Approximately 7 seconds)



10

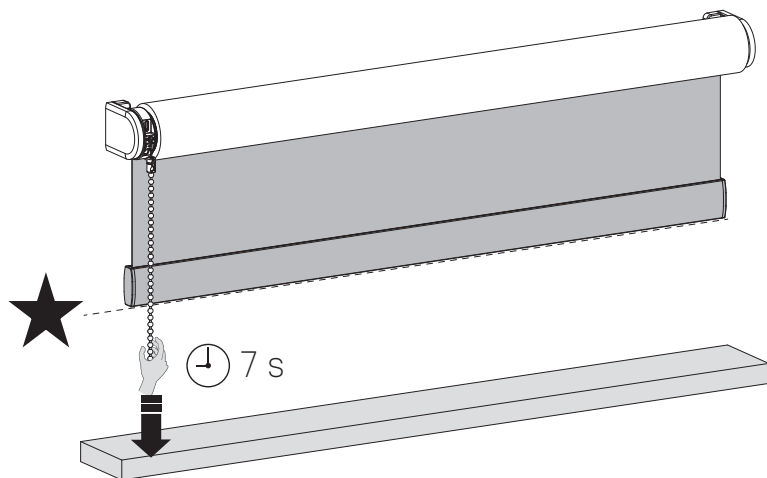
14 Control your blind to favorite position

When your blind is not positioned at the favorite position hold the pull for 5 seconds and your blind will move to its favorite position.



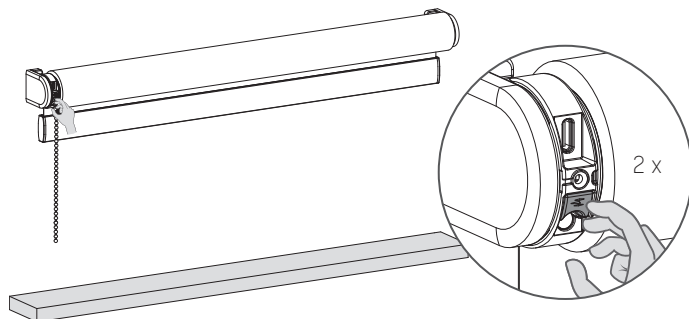
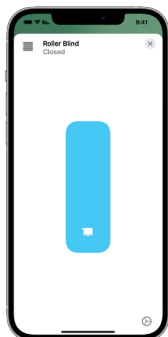
15 Save a new favorite position

To remove your previous favorite position you need to place your blind at your current favorite position. (Step 10) Then Hold the pull until the blind steps up and down once. (Approximately 7 seconds) Your favorite position is now removed. Follow step 9 to set your new favorite position.



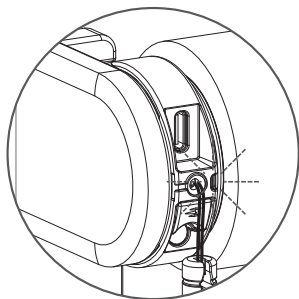
i Change direction of rotation

If the position of the blind in the app is opposite to your blind, change the direction of rotation by pressing the End Position button twice within one second.

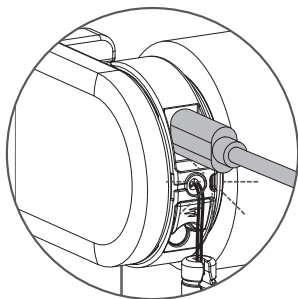


i Recharge the blind

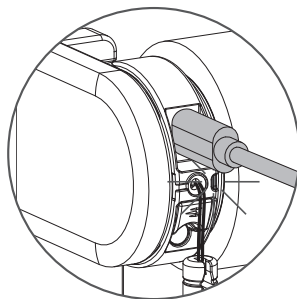
To charge the blind, connect it to a standard USB-C 5V power supply via a USB-C cable. This can be your smartphones power adapter, for example. Charge at least once a year.



LED light flashes
red during operation;
Charge the battery



LED light flashes
green; battery is
charging

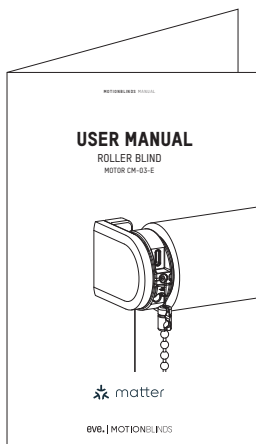


LED light constantly
green; battery is fully
charged

12

i More information

Please scan the QR code below to view the complete user manual with more information and advanced options.



User Manual
rtube.nl/red1959

Important Safety instructions

WARNING: To reduce the risk of severe injury or death, it is important to follow these instructions for personal safety. Save these instructions.

- Read and follow all installation instructions.
- This appliance can be used by children aged 8 years and above and persons with reduced physical, sensory or mental capabilities or lack of experience and knowledge if they have been given supervision or instruction concerning use of the appliance in a safe way and understand the hazards involved. Children should not play with the appliance. Cleaning and user maintenance should not be performed by children without supervision.
- Do not allow children to play with fixed controls. Keep remote controls away from children.
- Frequently examine the installation for imbalance and signs of wear or damage to cables and springs. Do not use if repair or adjustment is necessary.
- This instruction manual is also available on the website.
- The drive must be disconnected from its power source during cleaning, maintenance and when replacing parts.
- The A-weighted emission sound pressure level of the drive is equal to or less than 70dB(A).
- Indoor and household use only.
- Disconnect the drive from the power supply or switch off the automatic controls when maintenance, such as window cleaning, is being carried out in the vicinity.
- When operating a biased switch, make sure that other persons are kept away.
- Do not operate when maintenance, such as window cleaning, is being carried out in the vicinity.
- The tube motor must only be supplied with safety extra low voltage corresponding to the marking on the appliance.
- Maximum operating temperature of motor is +55°C. Maximum charging temperature of battery pack is +45°C.
- This appliance contains batteries that are non-replaceable.

Important Installation instructions

WARNING: Important safety instructions. Follow all instructions, since incorrect installation can lead to severe injury.

- This motor can only be used with soft material for driven parts.
- Hazardous unprotected moving parts of the drive must be installed higher than 2.5m above the floor or any other level surface that could provide access to it.
- Install the actuating member of a manual release at a height less than 1.8m.
- The actuating member of a biased switch is to be located within direct sight of the driven part but away from moving parts. It is to be installed at a minimum height of 1.5m and not accessible to the public.
- The mass and the dimension of the driven part must be compatible with the rated torque and rated operating time.
- Fixed controls have to be clearly visible after installation.
- The driven part must be compatible with the rated torque 1.1 N.m and rated operating time (12 min).
- Minimum tube diameter: $\varnothing 25\text{mm}$.
- The drive is intended to be installed at a height of at least 2.5m above the floor or any other accessible level surface.
- All-pole disconnection switches must be incorporated in the fixed wiring in accordance with the wiring rules.
- The appliance must only be supplied at safety extra low voltage corresponding to the marking on the appliance.
- Before installing the drive, remove any unnecessary cords or components and disable any equipment not needed for powered operation.

FCC Manual | FCC ID: ZY4CM03E IC:28117-CM03E

Regulatory Information

1 FCC Information for User

This product does not contain any user serviceable components and is to be used with approved antennas only. Any product changes or modifications will invalidate all applicable regulatory certifications and approvals.

2 FCC Electronic Emission Notices

This device complies with part 15 of the FCC Rules. Operation is subject to the following two conditions:

1. This device may not cause harmful interference
2. This device must accept any interference received, including interference that may cause undesired operation.

3 FCC Radio Frequency Interference statement

This equipment has been tested and found to comply with the limits for a class B digital device, pursuant to Part 15 of the FCC Rules. These limits are designed to provide reasonable protection against harmful interference when the equipment is operated in a commercial environment.

This equipment generates, uses and can radiate radio frequency energy and, if not installed and used in accordance with the instructions, may cause harmful interference to radio communications.

Operation of this equipment in a residential area may cause harmful interference, in which case the user will be required to correct the interference at their own expense. If this equipment does cause harmful interference to radio or television reception, which can be determined by turning the equipment off and on, the user is encouraged to try to correct the interference by one or more of the following measures:

- Reorient or relocate the receiving antenna
- Increase the distance separating the equipment and receiver
- Connect the equipment to an outlet on a circuit different from that to which the receiver is connected
- Consult the dealer or an experienced radio/TV technician for help

To satisfy FCC / IC RF exposure requirements, a separation distance of 20 cm or more should be maintained between the antenna of this device and persons during device operation. To ensure compliance, operations at closer than this distance is not recommended.

EU Declaration

Hereby, Coulisse declares that the radio equipment type CM-03-E is in compliance with directive 2014/53/EU. The full text of the EU declaration of conformity is available at the following internet address: support.motionblinds.com

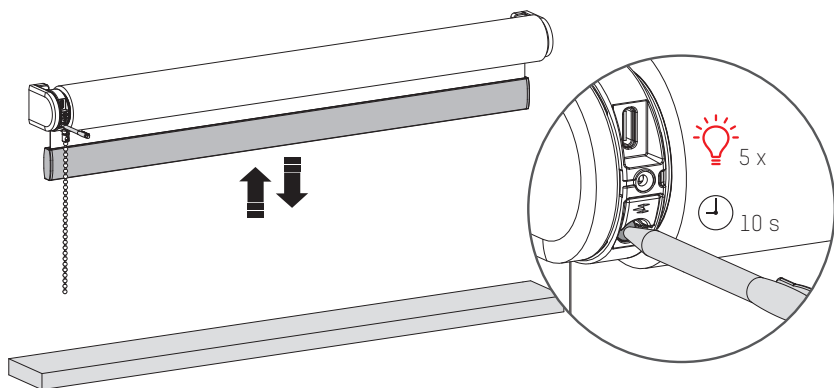
- Frequency range: 433 MHz, RF power: 2.32 dBm
- Frequency range BLE: 2402 - 2480 MHz, RF power: 3 dBm EIRP
- Frequency range Thread: 2405 - 2480 MHz, RF power: < 20 dBm EIRP

ISED Compliance

This device contains licence-exempt transmitter(s)/ receiver(s) that comply with Innovation, Science and Economic Development Canada's licence-exempt RSS(s). Operation is subject to the following two conditions: This device may not cause interference. This device must accept any interference, including interference that may cause undesired operation of the device.

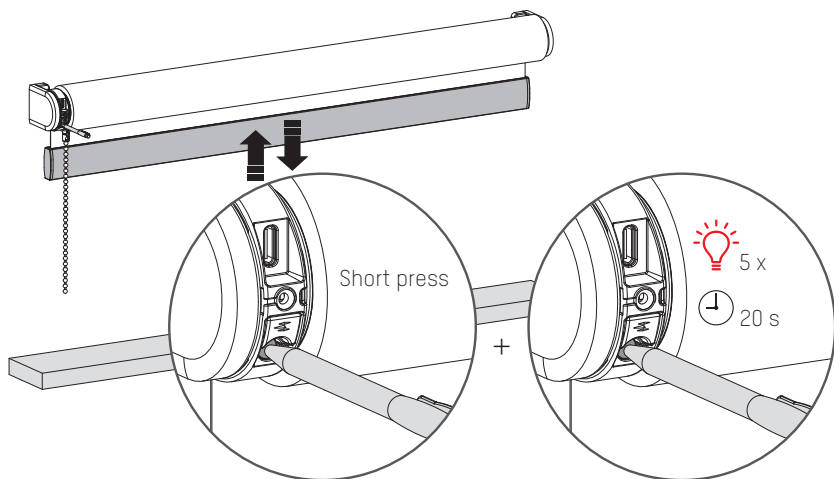
i Reset the connection

Hold the program button for 10 seconds to delete the connection between the blind and the app. The LED lights up 5 times and the blind steps up and down 1 time to indicate that the connection is reset. Now the blind can be reconnected.



i Reset the blind

Resetting the blind results in deleting the end positions and connections of the blind with apps and remote controls. Shortly press the program button to activate program mode. The blind will start stepping up and down. Hold the reset/program button for at least 20 seconds to reset the blind. The blind will stop stepping twice. After the second stop, the blind will give one extra step to indicate that it has been reset.



FCC Manual | FCC ID: ZY4CM03E IC:28117-CM03E

Regulatory Information

1 FCC Information for User

This product does not contain any user serviceable components and is to be used with approved antennas only. Any product changes or modifications will invalidate all applicable regulatory certifications and approvals.

2 FCC Electronic Emission Notices

This device complies with part 15 of the FCC Rules. Operation is subject to the following two conditions:

1. This device may not cause harmful interference
2. This device must accept any interference received, including interference that may cause undesired operation.

3 FCC Radio Frequency Interference statement

This equipment has been tested and found to comply with the limits for a class B digital device, pursuant to Part 15 of the FCC Rules. These limits are designed to provide reasonable protection against harmful interference when the equipment is operated in a commercial environment.

This equipment generates, uses and can radiate radio frequency energy and, if not installed and used in accordance with the instructions, may cause harmful interference to radio communications.

Operation of this equipment in a residential area may cause harmful interference, in which case the user will be required to correct the interference at their own expense. If this equipment does cause harmful interference to radio or television reception, which can be determined by turning the equipment off and on, the user is encouraged to try to correct the interference by one or more of the following measures:

- Reorient or relocate the receiving antenna
- Increase the distance separating the equipment and receiver
- Connect the equipment to an outlet on a circuit different from that to which the receiver is connected
- Consult the dealer or an experienced radio/TV technician for help

To satisfy FCC / IC RF exposure requirements, a separation distance of 20 cm or more should be maintained between the antenna of this device and persons during device operation. To ensure compliance, operations at closer than this distance is not recommended.

EU Declaration

Hereby, Coulisse declares that the radio equipment type CM-03-E is in compliance with directive 2014/53/EU. The full text of the EU declaration of conformity is available at the following internet address: support.motionblinds.com

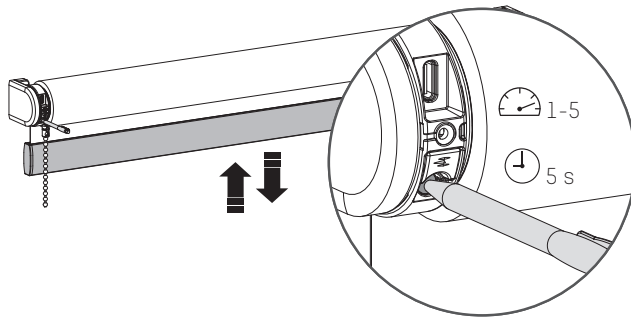
- Frequency range: 433 MHz, RF power: 2.32 dBm
- Frequency range BLE: 2402 - 2480 MHz, RF power: 3 dBm EIRP
- Frequency range Thread: 2405 - 2480 MHz, RF power: < 20 dBm EIRP

ISED Compliance

This device contains licence-exempt transmitter(s)/ receiver(s) that comply with Innovation, Science and Economic Development Canada's licence-exempt RSS(s). Operation is subject to the following two conditions: This device may not cause interference. This device must accept any interference, including interference that may cause undesired operation of the device.

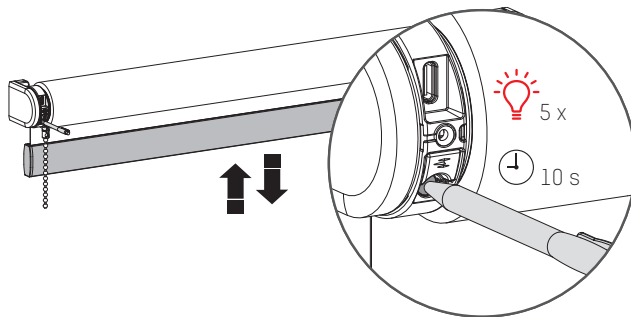
i Change motor speed / sound level

Hold the program button for 5 seconds to change the motor speed / sound level. The blind steps up and down 1 time to indicate that the speed has been adjusted to 1 of the 5 levels. Warning: release the button after 5 seconds when the blind steps up and down to avoid resetting the connection.



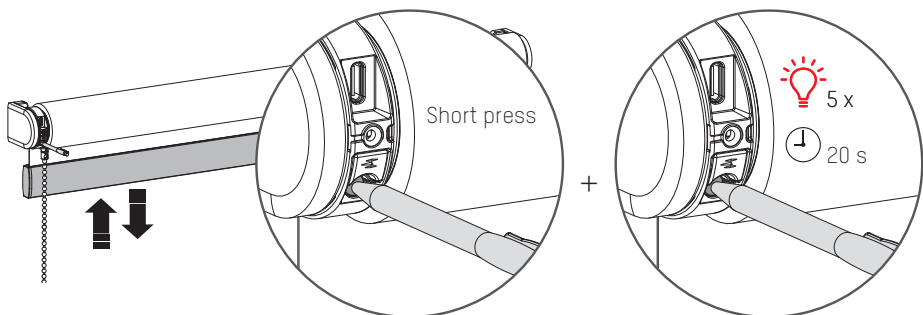
i Reset the connection

Hold the program button for 10 seconds to delete the connection between the blind and the app. The LED lights up 5 times and the blind steps up and down 1 time to indicate that the connection is reset. Now the blind can be reconnected.



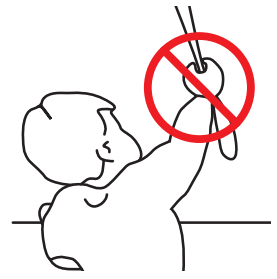
i Reset the blind

Resetting the blind results in deleting the end positions and connections of the blind with apps and remote controls. Shortly press the program button to activate program mode. The blind will start stepping up and down. Hold the reset/program button for at least 20 seconds to reset the blind. The blind will stop stepping twice. After the second stop, the blind will give one extra step to indicate that it has been reset.



ACHTUNG

Lesen Sie die Gebrauchsanweisung sorgfältig vor der Montage und Verwendung des Produkts. Montage kann durch Nicht-Profis gemacht sein. Nur für den Innenbereich.



- Kleine Kinder können durch Schlingen in Zugschnüren, Ketten, Gurten und innen befindlichen Schnüren zum Betätigen des Produktes stranguliert werden.
- Schnüre sind aus der Reichweite von Kindern zu halten, um Strangulierung und Verwicklung zu vermeiden.

- Der Hals eines Kindes kann in Schnüre verwickelt werden.
- Betten, Kinderbetten und Möbel sind entfernt von Schnüren für Fensterdekorationen aufzustellen.
- Schnüre dürfen nicht miteinander verknüpft werden.
- Es ist sicherzustellen, dass sich Schnüre nicht verwickeln und eine Schlinge bilden.

Reinigung

Befolgen Sie bei der Reinigung des Systems und der einzelnen Komponenten diese allgemeinen Regeln:

- Verwenden Sie ein feuchtes, weiches und fusselfreies Tuch. Achten Sie darauf, dass keine Feuchtigkeit in Öffnungen eindringt.
- Verwenden Sie keine Sprays, Lösungsmittel, Alkohol oder Scheuermittel.

Service & Support

Führen Sie Reparaturen nie selbst durch. Versuchen Sie nicht das System zu öffnen oder auseinanderzunehmen. Sie riskieren einen Elektroschock und setzen gegebenenfalls die Garantie außer Kraft. Es befinden sich keine durch den Benutzer zu wartenden Teile im Inneren des Systems.

Garantieservice

Folgen Sie zunächst den Hinweisen dieser Bedienungsanleitung. Sollte das Produkt beschädigt sein oder nicht

korrekt funktionieren, wenden Sie sich bitte an einen Vertragshändler vor Ort, um gegebenenfalls die Produktgarantie in Anspruch zu nehmen.

Recycling

Dieses Zeichen bedeutet, dass das vorliegende Produkt innerhalb der EU nicht zusammen mit dem Hausmüll entsorgt werden darf. Um mögliche Umwelt- oder Gesundheitsschäden durch unkontrollierte Abfallentsorgung zu vermeiden, sollten Sie dieses Produkt von anderen Abfällen trennen und es verantwortungsbewusst recyceln, damit die darin enthaltenen Rohstoffe nachhaltig wiederverwertet werden können. Verwenden Sie zur Rückgabe Ihres gebrauchten Geräts bitte die entsprechenden Rückgabe- und Sammelsysteme, oder wenden Sie sich an den Händler, bei dem das Produkt gekauft wurde. Er kann dieses Produkt annehmen und einer umweltfreundlichen Wiederverwertung zuführen.

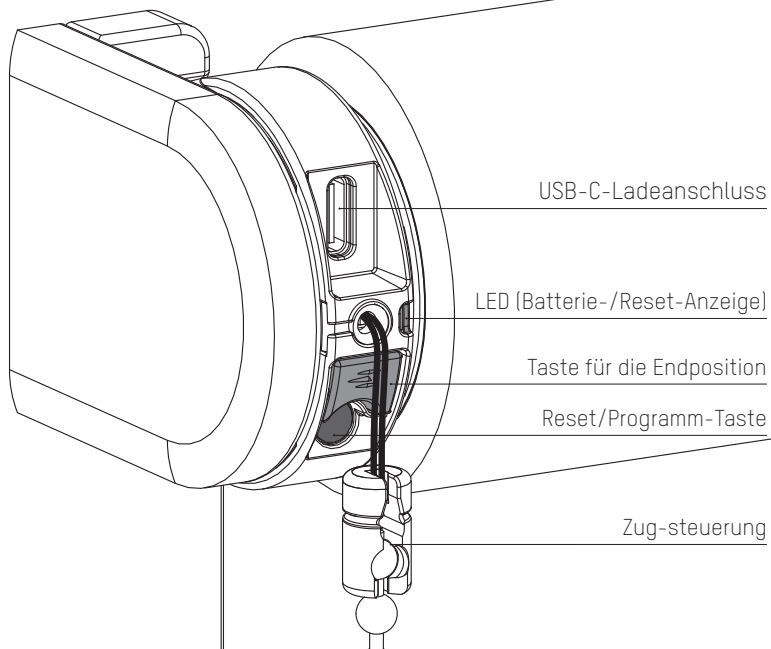


IP 20



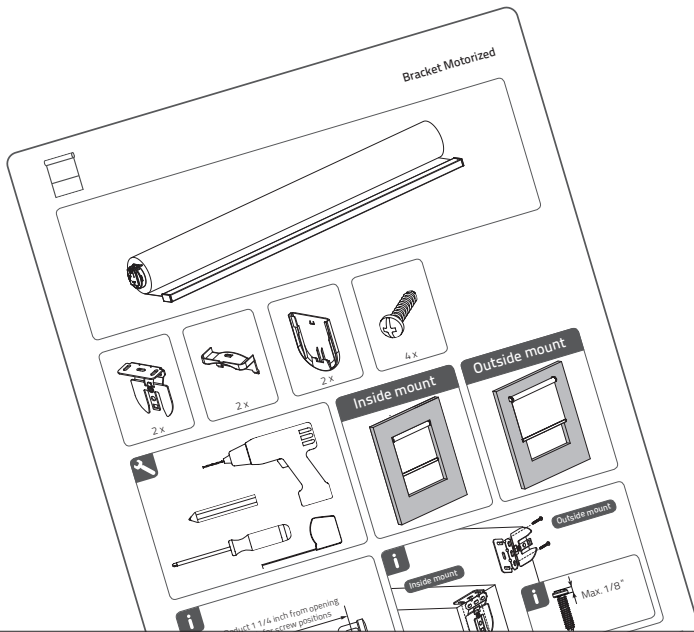
Conforms to
UL Std. 325
Certified to
CSA Std. C22.2#247

i Tasten und Funktionen



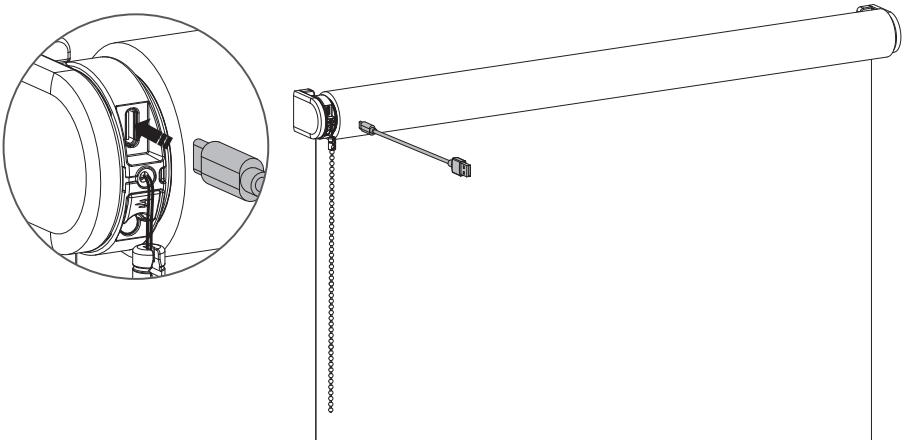
1 Rollo installieren

Folgen Sie den Schritten in der Montageanleitung, um das Rollo zu montieren.



2 Aktivieren Sie das Rollo

Um das Rollo zu aktivieren, schließen Sie es über ein USB-C-Kabel an eine standardmäßige USB-C 5V-Stromversorgung an. Das kann z. B. das Netzteil Ihres Smartphones sein.



3 Eve MotionBlinds zu Ihrer Plattform hinzufügen

Fügen Sie Eve MotionBlinds zu der Plattform Ihrer Wahl hinzu und stellen Sie sicher, dass Sie einen kompatiblen Thread Border Router haben.

Weitere Informationen: motionblinds.com/eve/matter

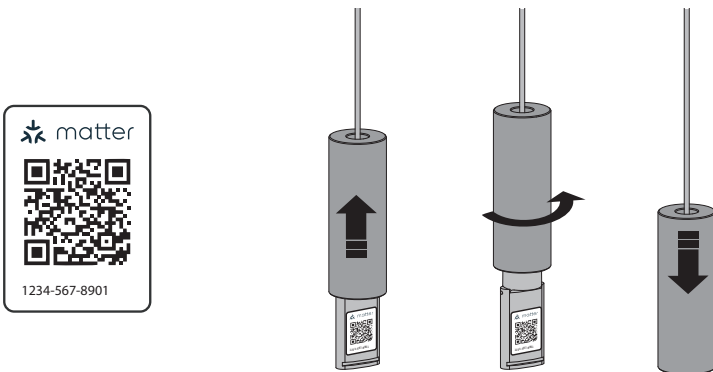


4 Einrichten des Rollos

Jetzt können Sie Eve MotionBlinds in nur wenigen Schritten zu Ihrem Smart Home hinzufügen, indem Sie den Matter Setup Code mit der App Ihrer bevorzugten Plattform scannen. Scannen Sie den Matter Setup Code, um ihn Ihrer Plattform hinzuzufügen.

Eve MotionBlinds benötigt Endpositionen, um richtig zu funktionieren. Die Endlagen können auf 2 Arten programmiert werden. In der Eve App oder über die taste für die Endposition an Ihrer Rollo. (Schritt 5)

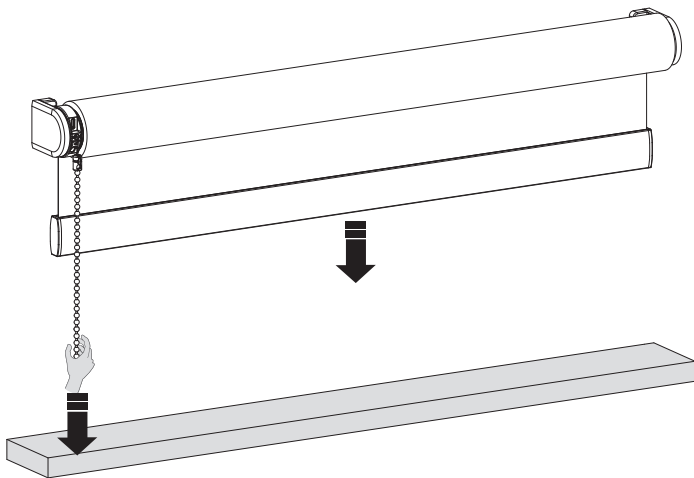
Nach dem Scannen können Sie Ihren Matter Setup Code ausblenden.



5 Endpositionen einstellen

Die Endpositionen lassen sich über die App, aber auch durch Betätigen der Endposition-Taste am Motor einstellen. Dazu am Schnurzug ziehen und gezogen halten, bis das Rollo die unterste Position erreicht hat. Wenn das Rollo sich in die entgegengesetzte Richtung bewegt, Schnurzug loslassen, dann erneut ziehen und halten.

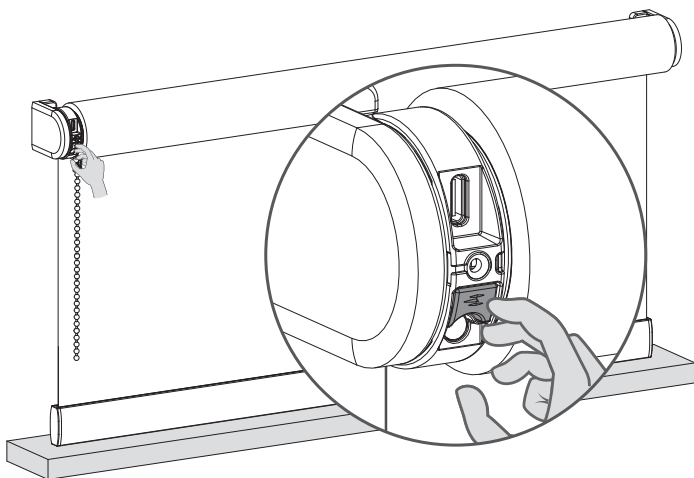
Wiederholen, bis die gewünschte unterste Position erreicht ist.



6

6 Speichern der untersten Position

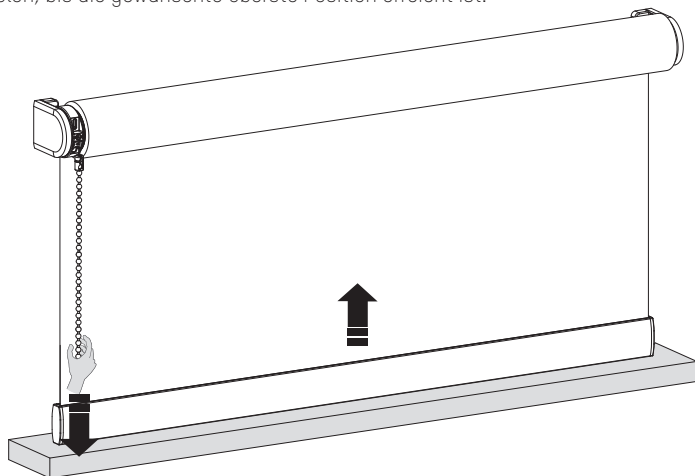
Wenn sich das Rollo in der untersten Position befindet, Taste gedrückt halten, bis das Rollo hoch- und runterfährt, um die gewünschte unterste Position zu speichern.



7 Rollo in die oberste Position bringen

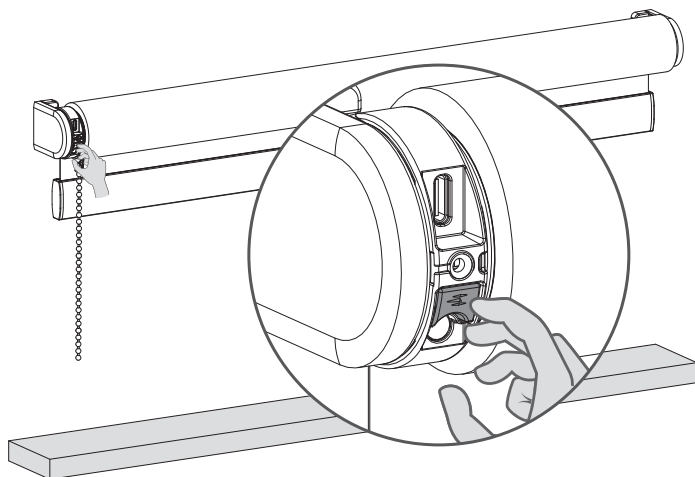
Am Schnurzug ziehen und gezogen halten, bis das Rollo die oberste Position erreicht hat. Wenn das Rollo sich in die entgegengesetzte Richtung bewegt, Schnurzug loslassen, dann erneut ziehen und halten.

Wiederholen, bis die gewünschte oberste Position erreicht ist.



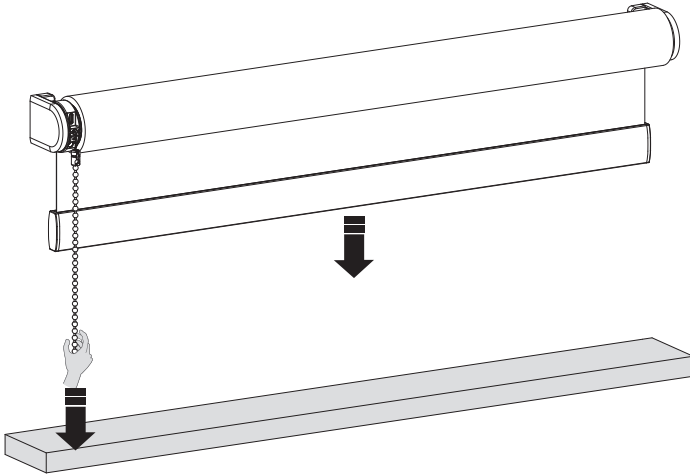
8 Speichern der obersten Position

Wenn sich das Rollo in der obersten Position befindet, Taste gedrückt halten, bis das Rollo hoch- und runterfährt, um die gewünschte oberste Position zu speichern.



9 Endpositionen ändern

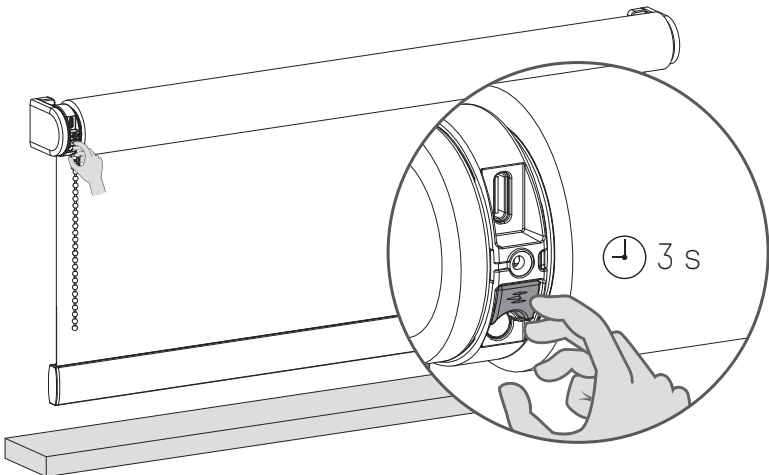
Zum Ändern einer der Endpositionen muss das Rollo in die zu ändernde Endposition gebracht werden. Am Schnurzug ziehen und warten, bis das Rollo die zu ändernde Endposition erreicht hat.



8

10 Löschen der (untersten/obersten) Position

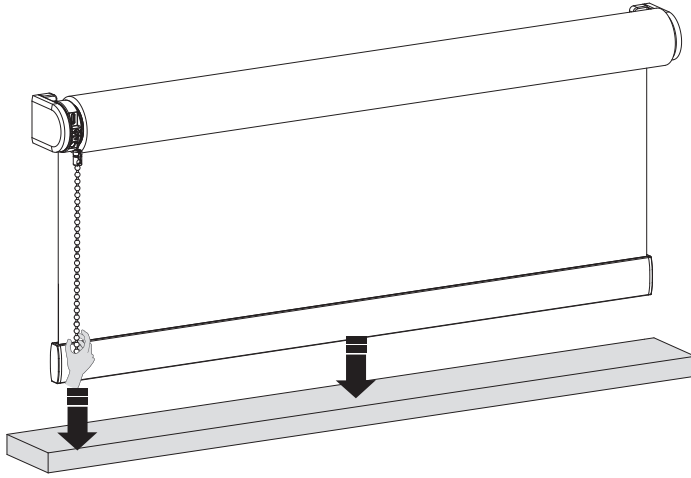
Programmiertaste für die Endposition 3 Sekunden lang gedrückt halten, um die (unterste/ oberste) Position zu löschen. Das Rollo macht eine einzige stufenartige Hoch-/Runterbewegung und signalisiert damit, dass die Endposition gelöscht wurde. Es kann nun eine neue (unterste/oberste) Position eingestellt werden.



11 Rollo in die neue (unterste) Position bringen

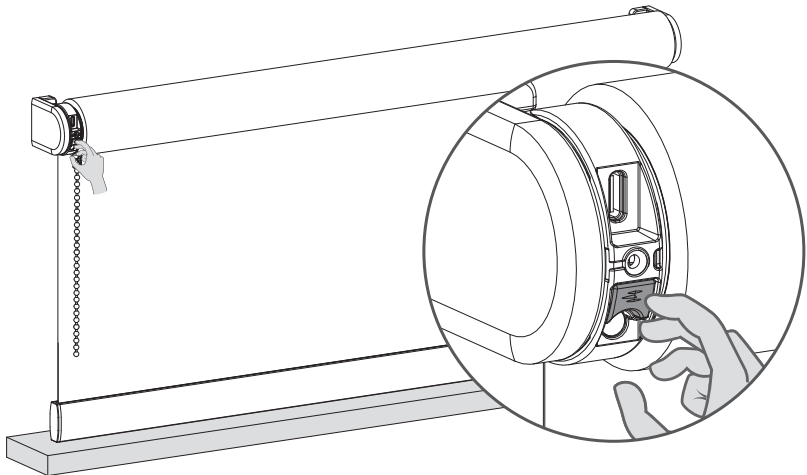
Am Schnurzug ziehen und gezogen halten, bis das Rollo die unterste Position erreicht hat. Wenn das Rollo sich in die entgegengesetzte Richtung bewegt, Schnurzug loslassen, dann erneut ziehen und halten.

Wiederholen, bis die gewünschte unterste Position erreicht ist.



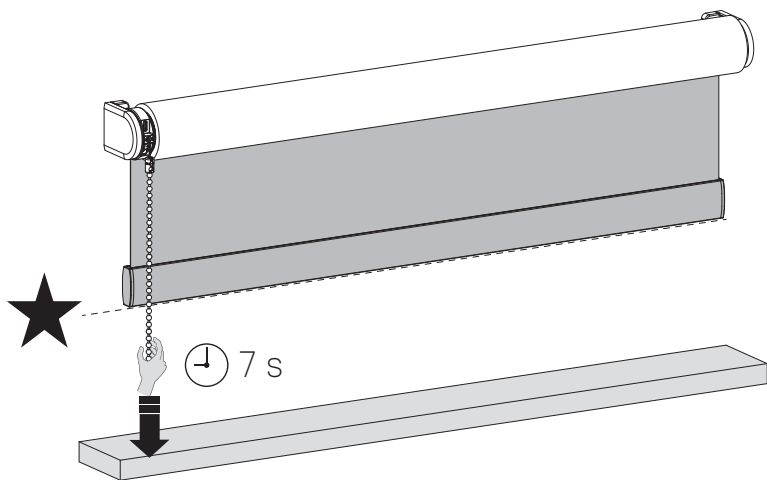
12 Speichern der (untersten) Position

Wenn sich Ihr Rollo in der untersten Position befindet, Taste gedrückt halten, bis das Rollo hoch- und runterfährt, um die gewünschte unterste Position zu speichern.



13 Speichern der bevorzugten Position

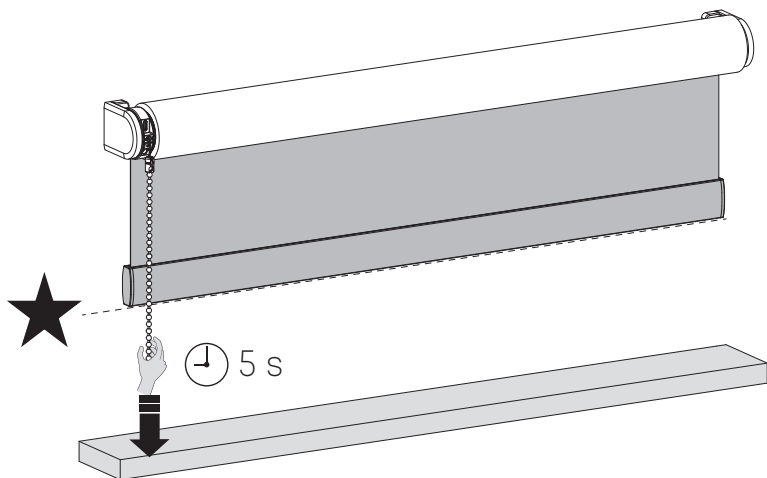
Wenn keine bevorzugte Position eingestellt ist, Rollo zunächst in die bevorzugte Position bringen. Wenn sich das Rollo in der bevorzugten Position befindet, Schnurzug gezogen halten, bis das Rollo eine stufenartige Hoch-/Runterbewegung macht (ca. 7 Sekunden).



10

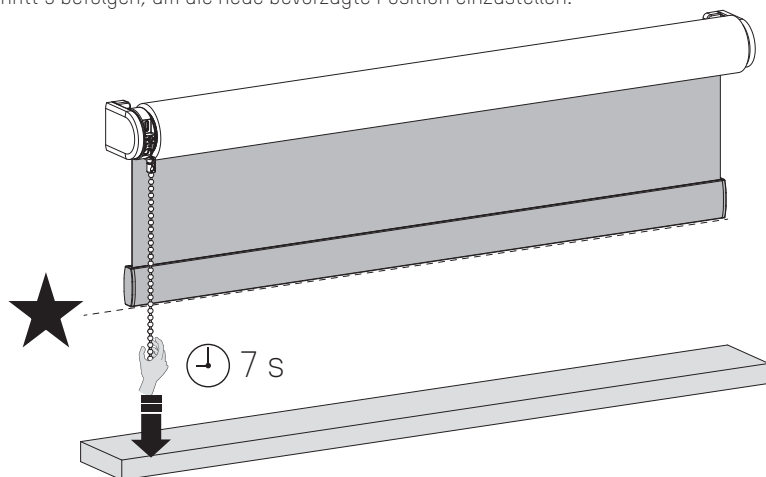
14 Bevorzugte Position des Rollos überprüfen

Wenn sich das Rollo nicht in der bevorzugten Position befindet, Schnurzug 5 Sekunden lang gezogen halten und das Rollo fährt in die bevorzugte Position.



15 Speichern der neuen bevorzugten Position

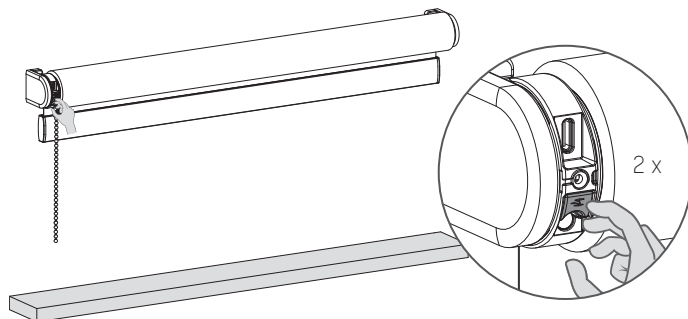
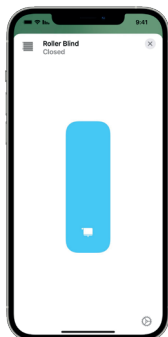
Um die bisherige bevorzugte Position zu löschen, Rollo zunächst in die aktuelle bevorzugte Position bringen. (Schritt 10) Schnurzug so lange gezogen halten, bis das Rollo die stufenartige Hoch-/Runterbewegung einmal ausführt (ungefähr 7 Sekunden). Die bisherige bevorzugte Position wurde gelöscht. Schritt 9 befolgen, um die neue bevorzugte Position einzustellen.



11

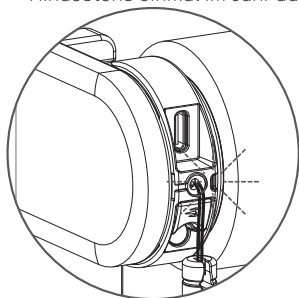
i Ändern der Rotationsrichtung

Ist die Position des Rollos in der App entgegengesetzt zu der des Rollos, Rotationsrichtung ändern, indem man innerhalb einer Sekunde zweimal die Endposition-Taste drückt.

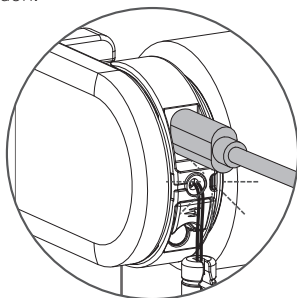


i Rollo-Motor wiederaufladen

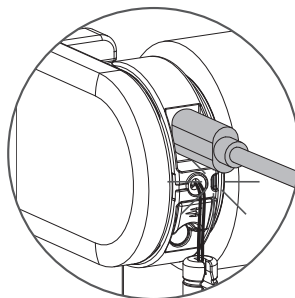
Zum Aufladen des Rollo-Motors über ein USB-C-Kabel an eine herkömmliche USB-C 5V-Stromversorgung anschließen. Beispielsweise an das Netzteil eines Smartphone. Mindestens einmal im Jahr aufladen.



LED blinkt rot während
des Betriebs;
Batterie aufladen



LED blinkt grün;
Batterie wird
geladen

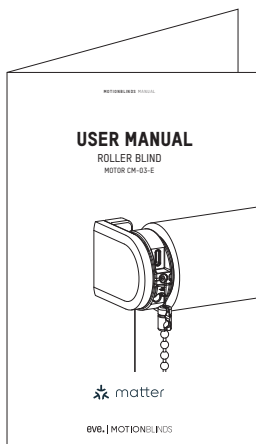


LED leuchtet dauer-
haft grün; Batterie ist
vollständig geladen

12

i Mehr Informationen

Bitte scannen Sie den unten stehenden QR-Code, um die vollständige Anleitung mit mehr Informationen und weiteren Optionen zu sehen.



Anleitung
rtube.nl/red1959

Wichtige Sicherheitshinweise

WARNUNG: Zur Vermeidung von Verletzungs- und Todesrisiken. Für die Sicherheit von Menschen ist es wichtig, diese Hinweise zu beachten. Speichern Sie diese Hinweise.

- Lesen und befolgen Sie sämtliche Installationshinweise
- Dieses Gerät kann von Kindern ab 8 Jahren sowie Personen mit eingeschränkten körperlichen, sensorischen oder mentalen Kapazitäten oder mit einem Mangel an Erfahrung und Wissen verwendet werden, sofern diese Personen Aufsicht oder Anweisungen in Bezug auf die sichere Nutzung dieses Geräts erhalten haben und die eingeschlossenen Risiken kennen. Kinder sollten nicht mit dem Gerät spielen. Kinder sollten das Gerät nicht ohne Aufsicht reinigen oder warten.
- Erlauben Sie es Kindern nicht, mit fest angebrachten Steuerungselementen zu spielen. Bewahren Sie Fernbedienungen außerhalb der Reichweite von Kindern auf.
- Untersuchen Sie die Installation regelmäßig auf Ungleichgewicht sowie Zeichen von Verschleiß oder Schaden an Kabeln und Sprungfedern. Verwenden Sie das Gerät nicht, wenn Reparaturen oder Anpassungen erforderlich sind.
- Diese Bedienungshinweise sind auch auf der Webseite verfügbar.
- Der Antrieb sollte während der Reinigung, der Wartung sowie bei dem Ersetzen von Teilen von seiner Stromquelle abgeschlossen werden.
- Der A-bewertete Emissionsschalldruckpegel beträgt höchstens 70dB(A).
- Verwendung nur im Innenbereich und Haushalt.
- Untersuchen Sie die Installation regelmäßig auf Ungleichgewicht sowie Zeichen von Verschleiß oder Schaden an Kabeln und sprungfedern. Verwenden sie das Gerät nicht, wenn Reparaturen oder Anpassungen erforderlich sind.
- Trennen Sie das Gerät von der Stromquelle oder schalten Sie die automatische Steuerung aus, wenn in der Umgebung Reinigungs- oder Wartungsarbeiten wie beispielsweise Fensterputzen vorgenommen werden.
- Bei der Verwendung eines Totmannschalters sollten Sie sicherstellen, dass andere Personen Abstand halten.
- Verwenden Sie das Gerät nicht, wenn in der Umgebung Reinigungs- oder Wartungsarbeiten wie beispielsweise Fensterputzen vorgenommen werden.

- Der Rohrmotor darf nur mit extraniedriger Sicherheitsspannung geliefert werden, entsprechend der Markierung auf dem Gerät.
- Die maximale Betriebstemperatur des Motors beträgt +55°C. Die maximale Ladetemperatur des Akkupacks beträgt +45°C.
- Dieses Gerät enthält nicht ersetzbare Batterien.

Wichtige Installationshinweise

WARNUNG: Wichtige Sicherheitshinweise. Befolgen Sie sämtliche Hinweise, da eine fehlerhafte Installation zu ernstesten Verletzungen führen kann.

- Dieser Motor kann nur mit weichen Materialien für die Antriebsteile verwendet werden.
- Gefährliche ungeschützte bewegliche Teile des Antriebs sollten mehr als 2,5m über dem Boden bzw. einer anderen Oberfläche, von der aus auf das Gerät zugegriffen werden kann, installiert werden.
- Installieren Sie das betätigende Element der Handauslösung auf einer Höhe von weniger als 1,8m.
- Das betätigende Element eines Totmannschalters sollte sich in Direktsicht des Antriebsteils befinden, aber entfernt von den beweglichen Teilen. Es sollte auf mindestens 1,5m Höhe installiert werden und nicht erreichbar für andere Personen sein.
- Die Masse und Maße der Antriebsteile sollte kompatibel sein mit dem Nenn Drehmoment und der Nennbetriebszeit.
- Die festen Stüterelemente sollten nach der Installation deutlich sichtbar sein.
- Das Antriebsteil sollte kompatibel sein mit dem Nenn Drehmoment 1.1N.m und der Nennbetriebszeit (12min).
- Minimaler Rohrdurchmesser: $\varnothing 25\text{mm}$.
- Der Antrieb sollte auf einer Höhe von mindestens 2,5m oberhalb des Bodens bzw. einer anderen Oberfläche, von der aus das Gerät erreicht werden kann, installiert werden
- Die allpolige Trennung muss gemäß den Verdrahtungsregeln in die feste Verkabelung integriert werden.
- Das Gerät darf nur mit Schutzkleinspannung entsprechend der Kennzeichnung auf dem Gerät betrieben werden.
- Entfernen Sie vor der Installation des Laufwerks alle nicht benötigten Kabel oder Komponenten und schalten Sie alle Geräte aus, die nicht für den Betrieb benötigt werden.

1 FCC Information für Benutzer

Dieses Produkt enthält keine durch den Benutzer zu wartenden Komponenten und darf ausschließlich mit genehmigten Antennen verwendet werden. Jegliche Änderungen oder Modifizierungen des Produkts machen sämtliche regulatorischen Zertifikate und Genehmigungen ungültig.

2 FCC Hinweis zu elektronischen Emissionen

Dieses Gerät entspricht Abschnitt 15 der FCC-Richtlinien.

Bei Betrieb müssen die folgenden zwei Bedingungen erfüllt sein:

1. Dieses Gerät darf keine schädigenden Interferenzen verursachen
2. Dieses Gerät muss jede empfangene Interferenz akzeptieren, einschließlich Interferenz, die unerwünschten Betrieb zur Folge haben könnte.

3 FCC Funkstörungserklärung

Dieses Gerät wurde getestet. Es wurde festgestellt, dass es die Begrenzungen für ein digitales Gerät der Klasse B erfüllt, wie in Abschnitt 15 der FCC Richtlinien ausgeführt. Diese Begrenzungen dienen dazu, angemessene Sicherheit gegen schädigende Interferenzen zu wahren, wenn das Gerät in einer kommerziellen Umgebung betrieben wird. Dieses Gerät erzeugt und nutzt Hochfrequenzenergie und kann dieselbe ausstrahlen. Wenn es nicht gemäß den Hinweisen installiert und verwendet wird, kann es schädigende Interferenzen für Funkgeräte verursachen. Der Betrieb dieses Geräts in einer Wohnumgebung kann schädigende Interferenzen verursachen. In diesem Fall muss der Benutzer die Interferenz auf seine eigenen Kosten korrigieren. Sollte das Gerät schädigende Interferenzen für Radio- oder Fernsehempfang verursachen, was durch das An- und Abschalten des Geräts festgestellt werden kann, sollte der Benutzer versuchen, die Interferenz mit einer oder mehreren der folgenden Methoden zu korrigieren:

- Richten Sie die Empfangsantennen neu aus oder platzieren Sie sie anders.
- Vergrößern Sie den Abstand zwischen dem Gerät und dem Empfänger
- Verbinden Sie das Gerät mit einer Steckdose eines anderen Stromkreises als jener, mit dem der Empfänger verbunden ist
- Bitten Sie den Händler oder einen erfahrenen Radio-/TV-Techniker um Rat

EU-Konformitätserklärung

Hiermit erklärt Coulisse, dass der Funkgerätetyp CM-03-E die Richtlinie 2014/53/EU erfüllt. Der vollständige Text der EU-Konformitätserklärung ist im Internet unter folgender Adresse verfügbar: support.motionblinds.com

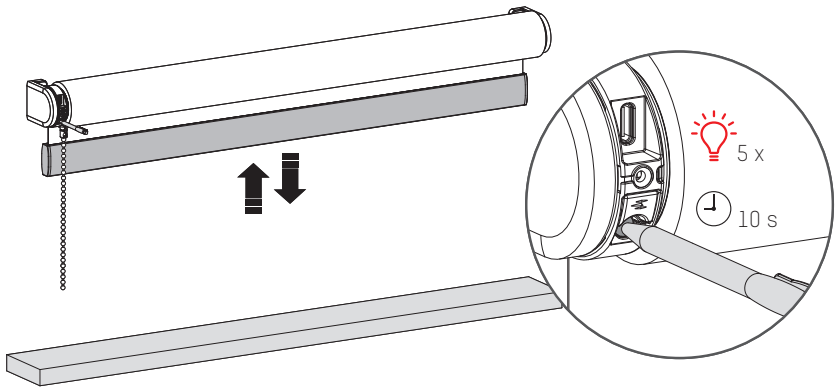
- Frequenzbereich: 433 MHz, HF-Leistung: 2.32 dBm
- Frequenzbereich BLE: 2402 - 2480 MHz, HF-Leistung: 3 dBm EIRP
- Frequenzbereich Thread: 2405 - 2480 MHz, HF-Leistung: < 20 dBm EIRP

ISED-Konformität

Dieses Gerät enthält lizenzbefreite(n) Sender/ Empfänger lizenzbefreite(n) Sender/Empfänger, die den Anforderungen der Innovation, Science and Economic Development Canada' lizenzbefreite RSS(s). Der Betrieb unterliegt den folgenden zwei Bedingungen: Dieses Gerät darf keine Störungen verursachen. Dieses Gerät muss alle Interferenzen akzeptieren, einschließlich Störungen die einen unerwünschten Betrieb des Geräts verursachen können.

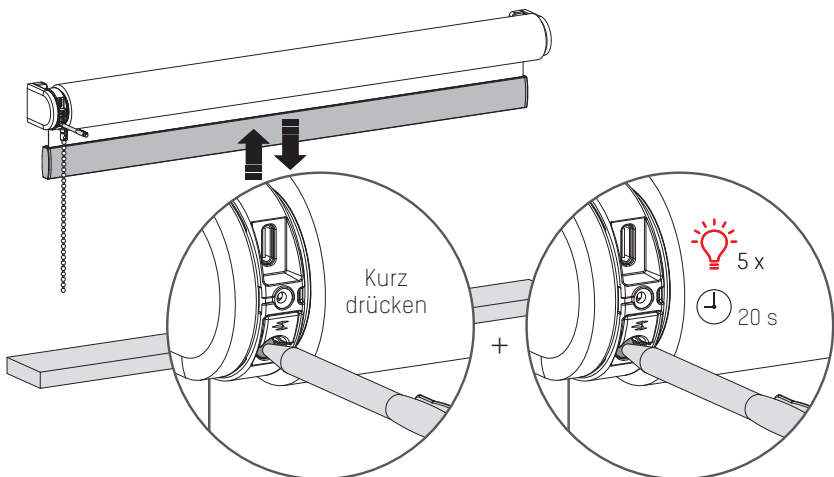
i Rücksetzen der Verbindung

Halten Sie die Programmtaste 10 Sekunden lang gedrückt, um die Verbindung zwischen dem Rollo und der App zu löschen. Die LED leuchtet 5 Mal auf und das Rollo fährt einmal auf und ab, um anzuzeigen, dass die Verbindung zurückgesetzt wurde. Nun kann das Rollo wieder verbunden werden.



i Rollo zurücksetzen

Das Zurücksetzen des Rollos hat zur Folge, dass die Endlagen und Verbindungen des Rollos mit Apps und Fernbedienungen gelöscht werden. Drücken Sie kurz die Programmtaste, um den Programmmodus zu aktivieren. Das Rollo beginnt auf und ab zu fahren. Halten Sie die Reset-/Programmtaste mindestens 20 Sekunden lang gedrückt, um das Rollo zurückzusetzen. Das Rollo stoppt den Lauf zweimal. Nach dem zweiten Stopp macht das Rollo einen zusätzlichen Schritt, um anzuzeigen, dass es zurückgesetzt wurde.



1 FCC Information für Benutzer

Dieses Produkt enthält keine durch den Benutzer zu wartenden Komponenten und darf ausschließlich mit genehmigten Antennen verwendet werden. Jegliche Änderungen oder Modifizierungen des Produkts machen sämtliche regulatorischen Zertifikate und Genehmigungen ungültig.

2 FCC Hinweis zu elektronischen Emissionen

Dieses Gerät entspricht Abschnitt 15 der FCC-Richtlinien.

Bei Betrieb müssen die folgenden zwei Bedingungen erfüllt sein:

1. Dieses Gerät darf keine schädigenden Interferenzen verursachen
2. Dieses Gerät muss jede empfangene Interferenz akzeptieren, einschließlich Interferenz, die unerwünschten Betrieb zur Folge haben könnte.

3 FCC Funkstörungserklärung

Dieses Gerät wurde getestet. Es wurde festgestellt, dass es die Begrenzungen für ein digitales Gerät der Klasse B erfüllt, wie in Abschnitt 15 der FCC Richtlinien ausgeführt. Diese Begrenzungen dienen dazu, angemessene Sicherheit gegen schädigende Interferenzen zu wahren, wenn das Gerät in einer kommerziellen Umgebung betrieben wird. Dieses Gerät erzeugt und nutzt Hochfrequenzenergie und kann dieselbe ausstrahlen. Wenn es nicht gemäß den Hinweisen installiert und verwendet wird, kann es schädigende Interferenzen für Funkgeräte verursachen. Der Betrieb dieses Geräts in einer Wohnumgebung kann schädigende Interferenzen verursachen. In diesem Fall muss der Benutzer die Interferenz auf seine eigenen Kosten korrigieren. Sollte das Gerät schädigende Interferenzen für Radio- oder Fernsehempfang verursachen, was durch das An- und Abschalten des Geräts festgestellt werden kann, sollte der Benutzer versuchen, die Interferenz mit einer oder mehreren der folgenden Methoden zu korrigieren:

- Richten Sie die Empfangsantennen neu aus oder platzieren Sie sie anders.
- Vergrößern Sie den Abstand zwischen dem Gerät und dem Empfänger
- Verbinden Sie das Gerät mit einer Steckdose eines anderen Stromkreises als jener, mit dem der Empfänger verbunden ist
- Bitten Sie den Händler oder einen erfahrenen Radio-/TV-Techniker um Rat

EU-Konformitätserklärung

Hiermit erklärt Coulisse, dass der Funkgerätetyp CM-03-E die Richtlinie 2014/53/EU erfüllt. Der vollständige Text der EU-Konformitätserklärung ist im Internet unter folgender Adresse verfügbar: support.motionblinds.com

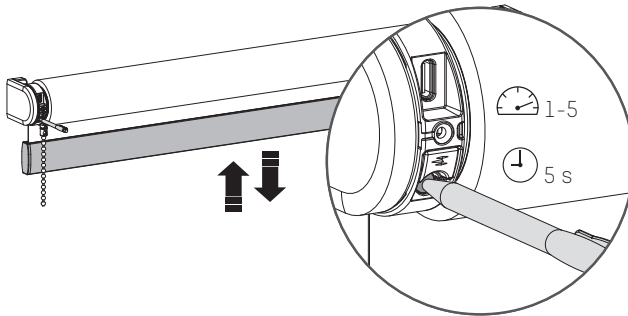
- Frequenzbereich: 433 MHz, HF-Leistung: 2.32 dBm
- Frequenzbereich BLE: 2402 - 2480 MHz, HF-Leistung: 3 dBm EIRP
- Frequenzbereich Thread: 2405 - 2480 MHz, HF-Leistung: < 20 dBm EIRP

ISED-Konformität

Dieses Gerät enthält lizenzbefreite(n) Sender/ Empfänger lizenzbefreite(n) Sender/Empfänger, die den Anforderungen der Innovation, Science and Economic Development Canada' lizenzbefreite RSS(s). Der Betrieb unterliegt den folgenden zwei Bedingungen: Dieses Gerät darf keine Störungen verursachen. Dieses Gerät muss alle Interferenzen akzeptieren, einschließlich Störungen die einen unerwünschten Betrieb des Geräts verursachen können.

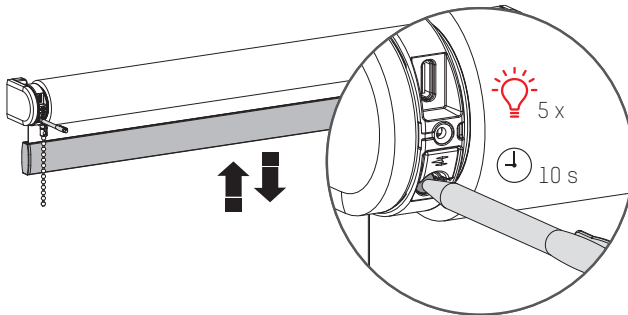
i Motordrehzahl / Geräuschpegel ändern

Halten Sie die Programmtaste 5 Sekunden lang gedrückt, um die Motorgeschwindigkeit/den Geräuschpegel zu ändern. Das Rollo fährt einmal auf und ab, um anzuzeigen, dass die Geschwindigkeit auf eine der 5 Stufen eingestellt wurde. Achtung: Lassen Sie die Taste nach 5 Sekunden los, wenn das Rollo auf- und absteigt, um ein Zurücksetzen der Verbindung zu vermeiden.



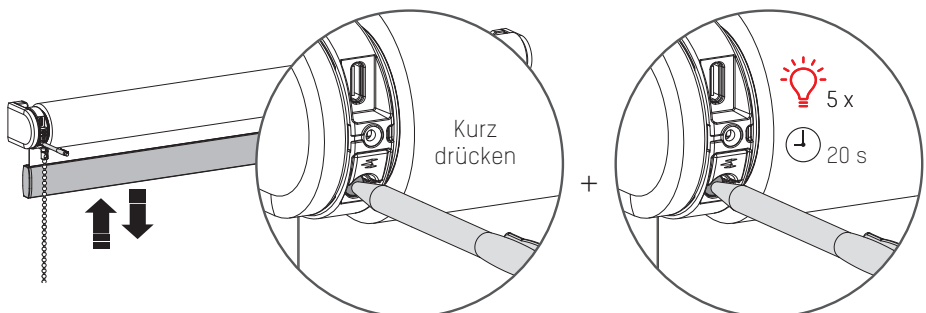
i Rücksetzen der Verbindung

Halten Sie die Programmtaste 10 Sekunden lang gedrückt, um die Verbindung zwischen dem Rollo und der App zu löschen. Die LED leuchtet 5 Mal auf und das Rollo fährt einmal auf und ab, um anzuzeigen, dass die Verbindung zurückgesetzt wurde. Nun kann das Rollo wieder verbunden werden.



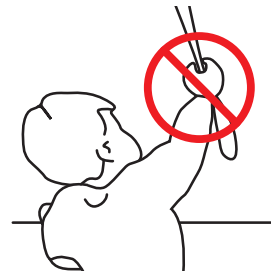
i Rollo zurücksetzen

Das Zurücksetzen des Rollos hat zur Folge, dass die Endlagen und Verbindungen des Rollos mit Apps und Fernbedienungen gelöscht werden. Drücken Sie kurz die Programmtaste, um den Programmmodus zu aktivieren. Das Rollo beginnt auf und ab zu fahren. Halten Sie die Reset-/Programmtaste mindestens 20 Sekunden lang gedrückt, um das Rollo zurückzusetzen. Das Rollo stoppt den Lauf zweimal. Nach dem zweiten Stopp macht das Rollo einen zusätzlichen Schritt, um anzuzeigen, dass es zurückgesetzt wurde.





AVERTISSEMENT



Lisez attentivement les instructions avant d'assembler et d'utiliser le produit.

Le montage peut être effectué par des non professionnels.
Usage intérieur uniquement

- Des cas d'étranglements dus aux boucles dans les cordons de hissage, chaînes, bandes et cordons intérieurs servant à actionner le produit ont déjà été observés chez de jeunes enfants.
- Pour éviter les étranglements et enchevêtrements, tenez les cordons hors de portée des jeunes enfants. Les cordons peuvent s'enrouler autour du cou des enfants.
- Des cordons peuvent enserrer le cou d'un enfant.
- Déplacez les lits, les berceaux et les meubles loin des cordons des couvre-fenêtres.
- Ne nouez pas les cordons entre eux.
- Assurez-vous que les cordons ne soient pas emmêlés et qu'ils ne forment pas de boucle.

Nettoyage

Suivez les règles générales suivantes lors du nettoyage de la partie extérieure de l'appareil et de ses composants:

- Utilisez un chiffon non pelucheux, doux et humide. Veuillez à ne pas laisser pénétrer d'humidité dans les ouvertures.
- N'utilisez pas d'aérosols, de solvants, d'alcool ou de produits abrasifs.

Entretien et assistance

Ne procédez pas aux réparations vous-même. Ne tentez pas d'ouvrir ou de démonter l'appareil. Vous risquez de vous exposer à une décharge électrique et d'annuler la garantie limitée. Les pièces incluses ne peuvent faire l'objet d'aucun entretien par l'utilisateur.

Obtention du service de garantie

Commencez par suivre les conseils du présent

livret, puis rendez-vous chez votre revendeur local. Si le produit est endommagé ou ne fonctionne pas correctement, rendez-vous chez votre revendeur local pour connaître la procédure d'obtention du service de garantie.

Recycler

Ce symbole indique que ce produit ne doit pas être jeté avec les déchets ménagers ordinaires et ce, dans toute l'UE. L'élimination incontrôlée des déchets pouvant porter préjudice à l'environnement ou à la santé humaine, veuillez le recycler de façon responsable, ce qui contribuera à la réutilisation durable de ressources. Pour renvoyer votre ancien appareil, veuillez utiliser les systèmes de traitement et de collecte ou contacter le détaillant qui vous a vendu le produit. Il sera en mesure de procéder au recyclage du produit en toute sécurité.

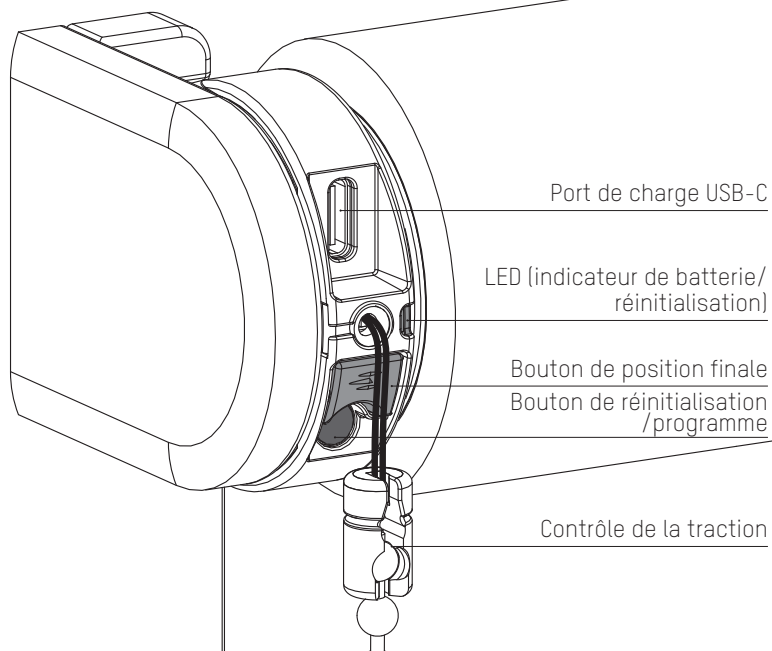


IP 20



Conforms to
UL Std. 325
Certified to
CSA Std. C22.2#247

i Boutons et fonctions



3 Ajoutez Eve MotionBlinds à votre plateforme

Ajoutez Eve MotionBlinds à la plateforme de votre choix et assurez-vous d'avoir un Thread Border Router compatible.

Plus d'informations: motionblinds.com/eve/matter

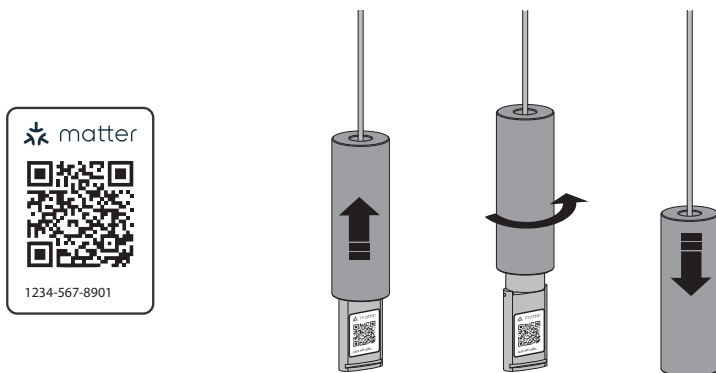


4 Configurer le store

Désormais, vous pouvez facilement ajouter Eve MotionBlinds à votre maison intelligente en seulement quelques étapes en scannant le code d'installation Matter à l'aide de l'application de votre plateforme préférée. Scannez le code d'installation Matter pour l'ajouter à votre plateforme.

Les stores Eve MotionBlinds ont besoin de positions finales pour fonctionner correctement. Les positions finales peuvent être programmées de 2 manières. Dans l'application Eve ou par le bouton de programmation de la position finale sur votre store. (Étape 5)

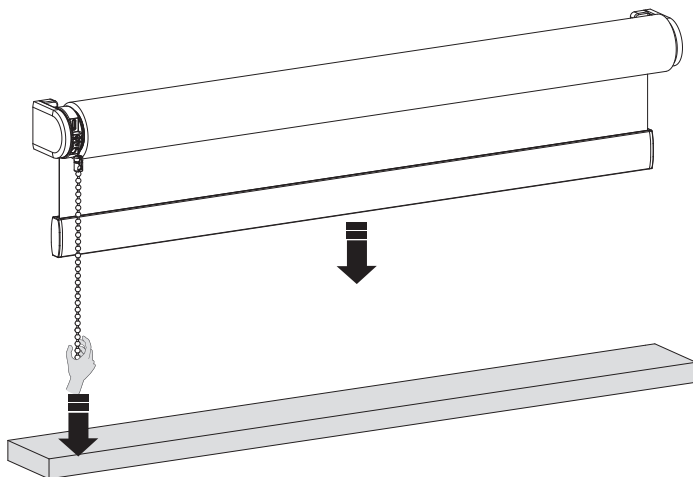
Après avoir scanné le code, vous pouvez cacher votre code d'installation.



5 Définir les positions finales

En plus du réglage des positions finales par l'application, vous pouvez régler les positions finales en appuyant sur le bouton du moteur. Tirez et maintenez la chaînette jusqu'à ce que le store ait atteint la position basse. Si le store se déplace dans la direction opposée, relâchez la chaînette et tirez et maintenez à nouveau.

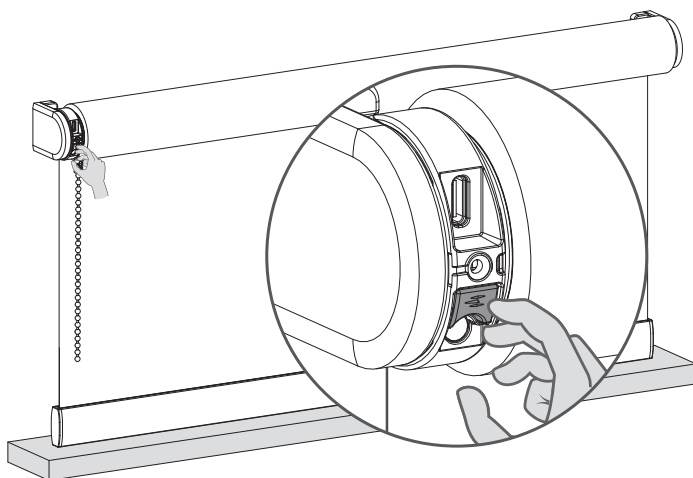
Réglez jusqu'à ce que la position basse souhaitée soit atteinte.



6

6 Sauvegardez votre position basse

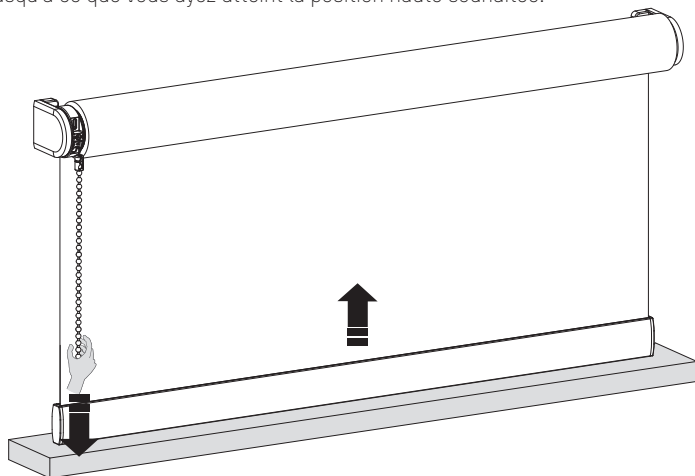
Lorsque votre store est positionné à votre position basse, maintenez le bouton jusqu'à ce que le store monte et descende pour sauvegarder votre position basse.



7 Mettez votre store en position haute

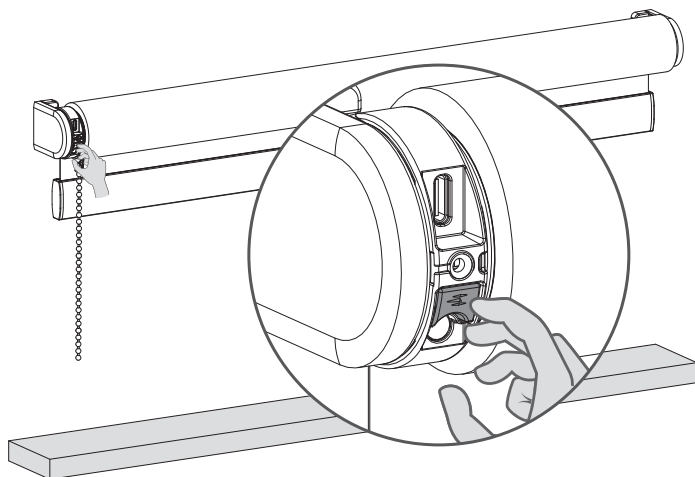
Tirez et maintenez la chaînette jusqu'à ce que le store soit en position haute. Si le store se déplace dans la direction opposée, relâchez la chaînette et tirez et maintenez à nouveau.

Réglez jusqu'à ce que vous ayez atteint la position haute souhaitée.



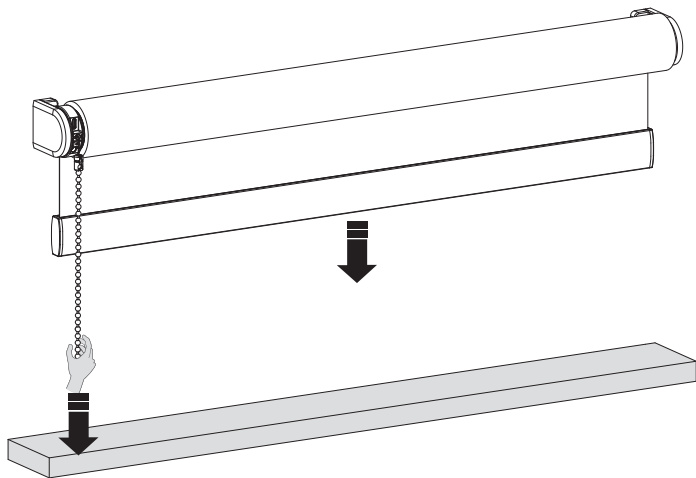
8 Sauvegardez votre position haute

Lorsque votre store est positionné à votre position haute, maintenez le bouton jusqu'à ce que le store monte et descende pour sauvegarder votre position haute.



9 Ajustez vos positions finales

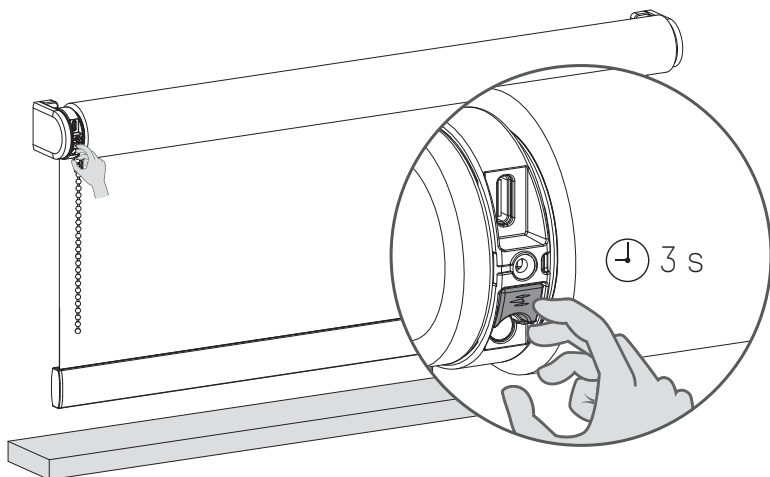
Pour ajuster l'une de vos positions finales, vous devez placer votre store à la position finale que vous voulez ajuster. Tirez et attendez jusqu'à ce que le store ait atteint la position finale que vous voulez régler.



8

10 Retirez votre position (basse / haute)

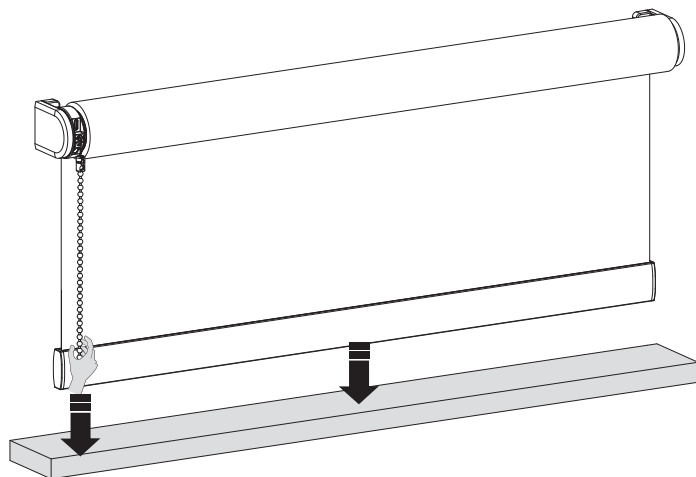
Maintenez le bouton de programmation de la position finale pendant 3 secondes pour supprimer votre position (basse / haute). Le store monte et descend une fois pour confirmer que votre position finale a été supprimée. Vous pouvez maintenant définir une nouvelle position (basse / haute).



11 Déplacez votre store vers la nouvelle position (basse).

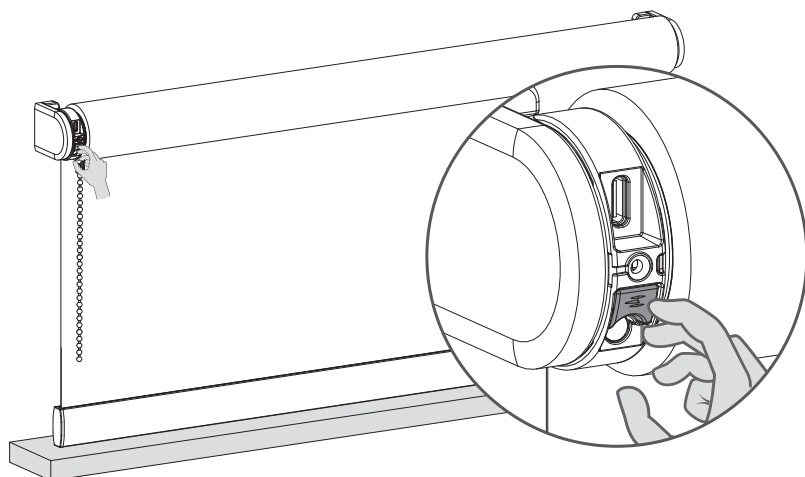
Tirez et maintenez la chaînette jusqu'à ce que le store ait atteint la position basse. Si le store se déplace dans la direction opposée, relâchez la chaînette et tirez et maintenez à nouveau.

Réglez jusqu'à ce que la position basse souhaitée soit atteinte.



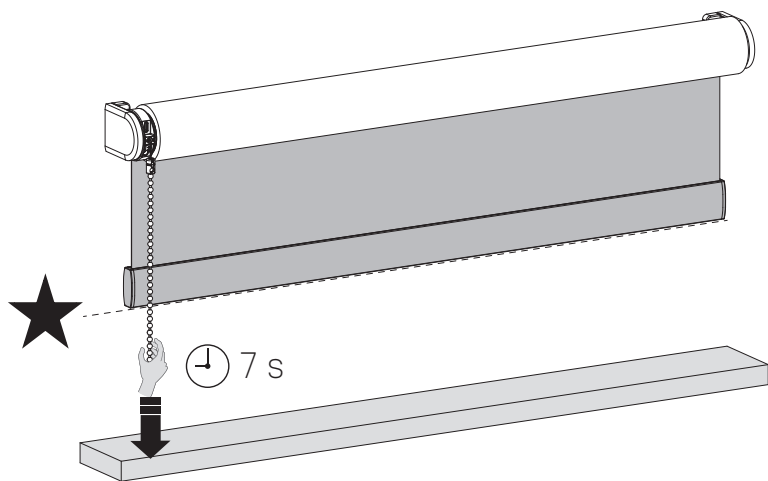
12 Sauvegardez votre position (basse)

Lorsque votre store est positionné à votre position basse, maintenez le bouton jusqu'à ce que le store monte et descende pour sauvegarder votre position basse.



13 Sauvegardez la position préférée

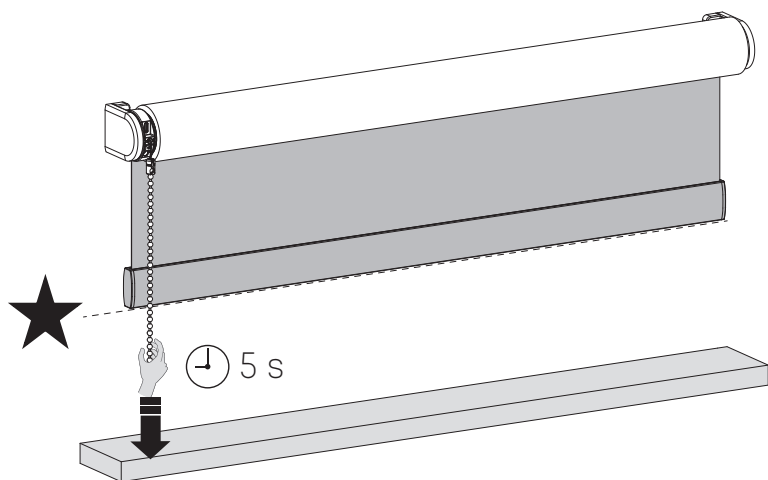
Lorsqu'il n'y a pas de position préférée programmée, vous devez positionner votre store à votre position préférée. Lorsque le store est dans votre position préférée, maintenez la traction jusqu'à ce que le store monte et descende une fois (environ 7 secondes).



10

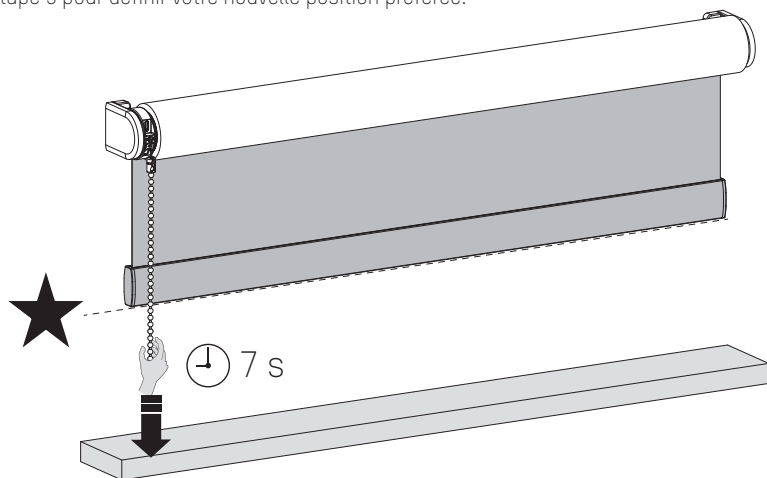
14 Contrôlez votre store dans votre position préférée

Lorsque votre store n'est pas positionné à la position préférée, maintenez la traction pendant 5 secondes et votre store se déplacera à sa position préférée.



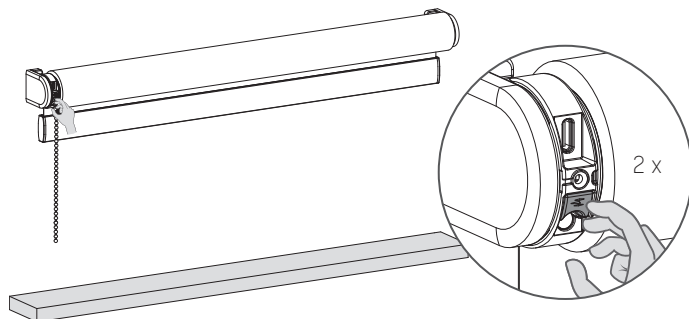
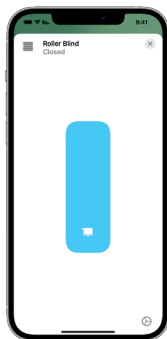
15 Sauvegarder une nouvelle position préférée

Pour supprimer votre position préférée précédente, vous devez placer votre store à votre position préférée actuelle. (Étape 10) Ensuite, maintenez la traction jusqu'à ce que le store monte et descende une fois. (Environ 7 secondes) Votre position préférée est maintenant supprimée. Suivez l'étape 9 pour définir votre nouvelle position préférée.



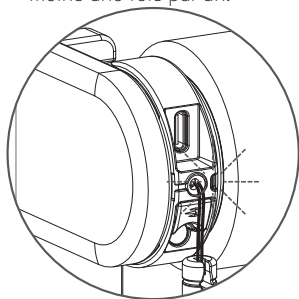
i Vérifiez le sens de rotation

Si la position du store dans l'application est opposée à votre store, changez le sens de rotation en appuyant deux fois en une seconde sur le bouton Position finale.

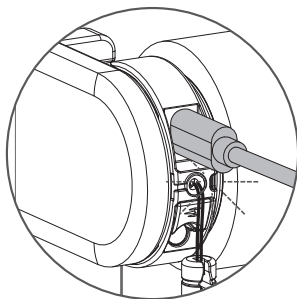


i Recharger les stores

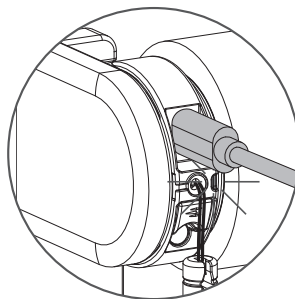
Pour charger le store, connectez-le à une alimentation standard USB-C 5V via un câble USB-C. Il peut s'agir de l'adaptateur d'alimentation de votre smartphone, par exemple. Recharger au moins une fois par an.



Le voyant lumineux clignote en rouge pendant le fonctionnement : Chargez la batterie.



Le voyant LED clignote en vert ; la batterie est en charge

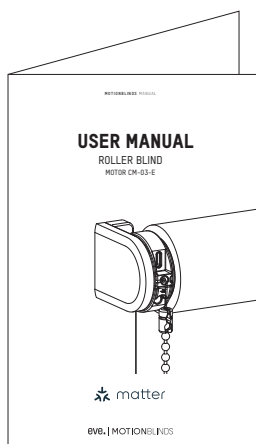


La lumière LED est constamment verte ; la batterie est complètement chargée

12

i Plus d'informations

Veuillez scanner le code QR ci-dessous pour afficher le manuel d'utilisation complet avec plus d'informations et des options avancées.



Manuel de l'utilisateur
rtube.nl/red1959

Instructions de sécurité importantes

AVERTISSEMENT : pour réduire le risque de blessure grave ou de mort. Pour la sécurité des personnes, il est important de suivre ces instructions. Conservez ces instructions.

- Lisez et suivez toutes les instructions d'installation.
- Cet appareil peut être utilisé par des enfants âgés de 8 ans et plus et par des personnes aux capacités physiques ou mentales réduites ou manquant d'expérience et de connaissances si elles sont sous surveillance ou si elles ont reçu des instructions relatives à l'utilisation sécurisée de l'appareil et si elles comprennent les dangers impliqués. Les enfants ne doivent pas jouer avec l'appareil. Le nettoyage et l'entretien ne doivent pas être effectués par des enfants sans surveillance.
- Ne laissez pas les enfants jouer avec des contrôles fixes. Conservez les télécommandes hors de la portée des enfants.
- Examinez fréquemment l'installation pour détecter des déséquilibres et des signes d'usure ou de dommages aux câbles et aux ressorts. Ne l'utilisez pas si une réparation ou un ajustement est nécessaire.
- Ce manuel d'instructions est également disponible sur le site Web.
- La transmission doit être déconnectée de sa source d'alimentation pendant le nettoyage, la maintenance et le remplacement des pièces.
- Le niveau de pression acoustique d'émission pondéré A de la transmission est égal ou inférieur à 70 dB (A).
- Usage intérieur et domestique seulement.
- Examinez fréquemment l'installation pour détecter des déséquilibres et des signes d'usure ou de dommages aux câbles et aux ressorts. Ne l'utilisez pas si une réparation ou un ajustement est nécessaire.
- Déconnectez la transmission de l'alimentation ou coupez les commandes automatiques lorsque des travaux de maintenance, tels que le nettoyage des vitres, sont effectués à proximité.
- Lors de l'utilisation d'un commutateur de décalage, assurez-vous que les autres personnes se tiennent à l'écart.
- Ne l'utilisez pas lorsque des opérations de maintenance, telles que le nettoyage des

vitres, sont effectuées à proximité.

- Le moteur tubulaire doit uniquement être alimenté à très basse tension de sécurité correspondant au marquage sur l'appareil.
- Cet appareil contient des piles non remplaçables.
- La température maximale de fonctionnement du moteur est de +55°C La température maximale de chargement du bloc de batteries est de +45°C.

Instructions d'installation importantes

AVERTISSEMENT : instructions de sécurité importantes. Suivez toutes les instructions, car une installation incorrecte peut entraîner des blessures graves.

- Ce moteur ne peut être utilisé qu'avec un matériau souple pour les pièces entraînées.
- Les parties mobiles dangereuses non protégées du variateur doivent être installées à plus de 2,5 m au-dessus du sol ou à un autre niveau pouvant en permettre l'accès.
- Installez l'élément d'actionnement d'un déclencheur manuel à une hauteur inférieure à 1,8 m.
- L'élément d'actionnement d'un commutateur de rappel doit être situé à la vue directe de la partie entraînée mais à l'écart des parties mobiles. Il doit être installé à une hauteur minimale de 1,5 m et ne doit pas être accessible au public.
- La masse et la dimension de la partie entraînée doivent être compatibles avec le couple nominal et le temps de fonctionnement nominal.
- Les contrôles fixes doivent être clairement visibles après l'installation.
- La partie entraînée doit être compatible avec le couple nominal 1.1Nm et le temps de fonctionnement nominal (12min).
- Diamètre minimum du tube : Ø25mm.
- Le variateur est destiné à être installé à une hauteur d'au moins 2,5 m au-dessus du sol ou d'une autre niveau d'accès.
- La déconnexion de tous les pôles doit être incorporée dans le câblage fixe conformément aux règles de câblage.

Manuel FCC | FCC ID: ZY4CM03E IC:28117-CM03E

Informations réglementaires

1 Informations FCC à l'utilisateur

Ce produit ne contient aucun composant réparable par l'utilisateur et ne doit être utilisé qu'avec des antennes agréées. Tout changement ou modification de produit annulera toutes les certifications et approbations réglementaires applicables.

2 Avis d'émission électroniques de la FCC

Cet appareil est conforme à la partie 15 du règlement de la FCC.

Son utilisation est soumise aux deux conditions suivantes :

1. Cet appareil ne doit causer aucune interférence nuisible
2. Cet appareil doit accepter toute interférence reçue, y compris des interférences qui peuvent provoquer un fonctionnement non désiré.

3 Déclaration d'interférence des fréquences radio de la FCC

Cet équipement a été testé et déclaré conforme aux limites d'un dispositif numérique de classe B, conformément à la Partie 15 des règles de la FCC. Ces limites sont conçues pour fournir une protection raisonnable contre les interférences nuisibles lorsque l'équipement est utilisé dans un environnement commercial. Cet équipement génère, utilise et peut émettre de l'énergie de fréquence radio et, s'il n'est pas installé et utilisé conformément aux instructions, il peut causer des interférences nuisibles aux communications radio. Le fonctionnement de cet équipement dans une zone résidentielle peut générer des interférences préjudiciables, auquel cas il appartiendra à l'utilisateur de corriger les interférences à ses frais. Si cet équipement provoque effectivement une interférence préjudiciable à la réception radio ou télévisuelle, ce qui peut être établi en éteignant et en rallumant l'équipement, l'utilisateur est invité à tenter de corriger l'interférence par une ou plusieurs des mesures suivantes :

- Réorienter ou repositionner l'antenne de réception
- Augmenter la distance entre l'équipement et le récepteur
- Connecter l'équipement à une prise sur un

circuit différent de celui auquel le récepteur est connecté

- Consulter le revendeur ou un technicien radio/télévision expérimenté pour obtenir de l'aide

Les antennes installées doivent être situées de façon à ce que la population ne puisse y être exposée à une distance de moins de 20 cm. Installer les antennes de façon à ce que le personnel ne puisse approcher à 20 cm ou moins de la position centrale de l'antenne. La FCC des États-Unis stipule que cet appareil doit être en tout temps éloigné d'au moins 20 cm des personnes pendant son fonctionnement.

Déclaration UE

Par la présente, Coulisse déclare que l'équipement radio de type CM-03-E est conforme à la directive 2014/53/UE.

Le texte intégral de la déclaration de conformité UE est disponible à l'adresse Internet suivante : support.motionblinds.com

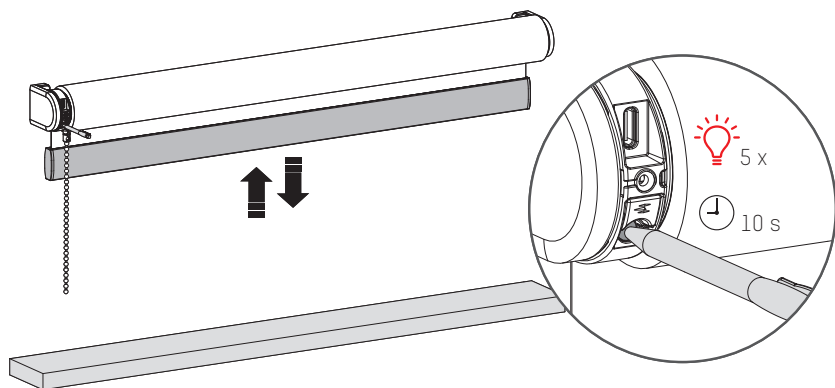
- Gamme de fréquences: 433 MHz, Puissance RF: 2.32 dBm
- Gamme de fréquences BLE: 2402 - 2480 MHz, Puissance RF: 3 dBm EIRP
- Gamme de fréquences Thread: 2405 - 2480 MHz, Puissance RF: < 20 dBm EIRP

ISED Compliance

L'émetteur/récepteur exempt de licence contenu dans le présent appareil est conforme aux CNR d'Innovation, Sciences et Développement économique Canada applicables aux appareils radio exempts de licence. L'exploitation est autorisée aux deux conditions suivantes : l'appareil ne doit pas produire de brouillage; l'appareil doit accepter tout brouillage radioélectrique subi, même si le brouillage est susceptible d'en compromettre le fonctionnement.

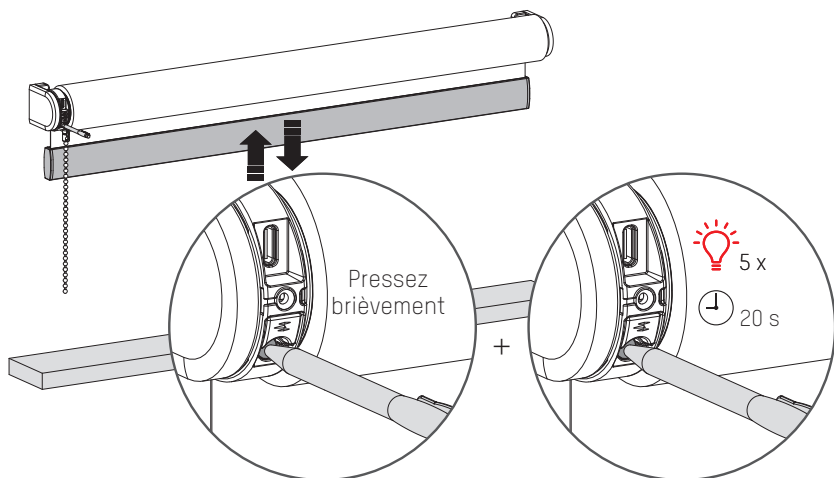
i Réinitialiser la connexion

Maintenez le bouton de programme pendant 10 secondes pour supprimer la connexion entre le store et l'appli. La LED s'allume 5 fois et le store monte et descend 1 fois pour indiquer que la connexion est réinitialisée. Le store peut maintenant être reconnecté.



i Réinitialiser le store

La réinitialisation du store entraîne l'effacement des positions finales et des connexions du store avec les apps et les télécommandes. Appuyez brièvement sur le bouton de programme pour activer le mode programme. Le store commencera à monter et descendre. Maintenez le bouton de réinitialisation/programme pendant au moins 20 secondes pour réinitialiser le store. Le store s'arrêtera deux fois de monter et descendre. Après le deuxième arrêt, le store fera un pas supplémentaire pour indiquer qu'il a été réinitialisé.



Manuel FCC | FCC ID: ZY4CM03E IC:28117-CM03E

Informations réglementaires

1 Informations FCC à l'utilisateur

Ce produit ne contient aucun composant réparable par l'utilisateur et ne doit être utilisé qu'avec des antennes agréées. Tout changement ou modification de produit annulera toutes les certifications et approbations réglementaires applicables.

2 Avis d'émission électroniques de la FCC

Cet appareil est conforme à la partie 15 du règlement de la FCC.

Son utilisation est soumise aux deux conditions suivantes :

1. Cet appareil ne doit causer aucune interférence nuisible
2. Cet appareil doit accepter toute interférence reçue, y compris des interférences qui peuvent provoquer un fonctionnement non désiré.

3 Déclaration d'interférence des fréquences radio de la FCC

Cet équipement a été testé et déclaré conforme aux limites d'un dispositif numérique de classe B, conformément à la Partie 15 des règles de la FCC. Ces limites sont conçues pour fournir une protection raisonnable contre les interférences nuisibles lorsque l'équipement est utilisé dans un environnement commercial. Cet équipement génère, utilise et peut émettre de l'énergie de fréquence radio et, s'il n'est pas installé et utilisé conformément aux instructions, il peut causer des interférences nuisibles aux communications radio. Le fonctionnement de cet équipement dans une zone résidentielle peut générer des interférences préjudiciables, auquel cas il appartiendra à l'utilisateur de corriger les interférences à ses frais. Si cet équipement provoque effectivement une interférence préjudiciable à la réception radio ou télévisuelle, ce qui peut être établi en éteignant et en rallumant l'équipement, l'utilisateur est invité à tenter de corriger l'interférence par une ou plusieurs des mesures suivantes :

- Réorienter ou repositionner l'antenne de réception
- Augmenter la distance entre l'équipement et le récepteur
- Connecter l'équipement à une prise sur un

circuit différent de celui auquel le récepteur est connecté

- Consulter le revendeur ou un technicien radio/télévision expérimenté pour obtenir de l'aide

Les antennes installées doivent être situées de façon à ce que la population ne puisse y être exposée à une distance de moins de 20 cm. Installer les antennes de façon à ce que le personnel ne puisse approcher à 20 cm ou moins de la position centrale de l'antenne. La FCC des États-Unis stipule que cet appareil doit être en tout temps éloigné d'au moins 20 cm des personnes pendant son fonctionnement.

Déclaration UE

Par la présente, Coulisse déclare que l'équipement radio de type CM-03-E est conforme à la directive 2014/53/UE.

Le texte intégral de la déclaration de conformité UE est disponible à l'adresse Internet suivante : support.motionblinds.com

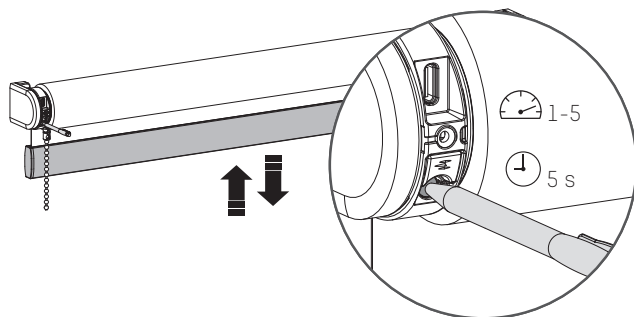
- Gamme de fréquences: 433 MHz, Puissance RF: 2.32 dBm
- Gamme de fréquences BLE: 2402 - 2480 MHz, Puissance RF: 3 dBm EIRP
- Gamme de fréquences Thread: 2405 - 2480 MHz, Puissance RF: < 20 dBm EIRP

ISED Compliance

L'émetteur/récepteur exempt de licence contenu dans le présent appareil est conforme aux CNR d'Innovation, Sciences et Développement économique Canada applicables aux appareils radio exempts de licence. L'exploitation est autorisée aux deux conditions suivantes : l'appareil ne doit pas produire de brouillage; l'appareil doit accepter tout brouillage radioélectrique subi, même si le brouillage est susceptible d'en compromettre le fonctionnement.

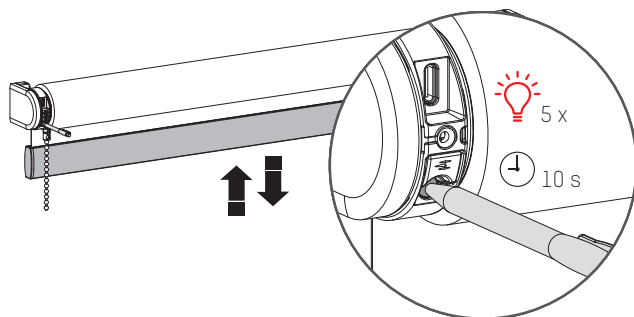
i Modification de la vitesse du moteur / du niveau sonore

Maintenir le bouton de programmation pendant 5 secondes pour modifier la vitesse du moteur et le niveau sonore. Le store monte et descend une fois pour indiquer que la vitesse a été réglée sur l'un des 5 niveaux. Attention : relâchez le bouton après 5 secondes lorsque le store monte et descend pour éviter de réinitialiser la connexion.



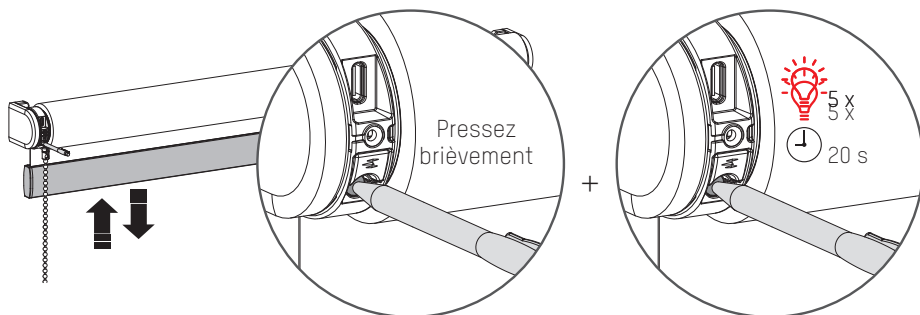
i Réinitialiser la connexion

Maintenez le bouton de programme pendant 10 secondes pour supprimer la connexion entre le store et l'appli. La LED s'allume 5 fois et le store monte et descend 1 fois pour indiquer que la connexion est réinitialisée. Le store peut maintenant être reconnecté.



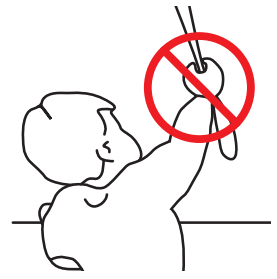
i Réinitialiser le store

La réinitialisation du store entraîne l'effacement des positions finales et des connexions du store avec les apps et les télécommandes. Appuyez brièvement sur le bouton de programme pour activer le mode programme. Le store commencera à monter et descendre. Maintenez le bouton de réinitialisation/programme pendant au moins 20 secondes pour réinitialiser le store. Le store s'arrêtera deux fois de monter et descendre. Après le deuxième arrêt, le store fera un pas supplémentaire pour indiquer qu'il a été réinitialisé.





WAARSCHUWING



Lees deze handleiding aandachtig alvorens het product te monteren en te gebruiken. De montage kan worden uitgevoerd door niet-professionals. Alleen voor gebruik binnenshuis.

- Kleine kinderen kunnen verstrikt raken en stikken in lussen van trekkoorden, kettingen, linten en trekkoorden in het product zelf waarmee het product wordt bediend.
- Houd alle koorden buiten het bereik van kleine kinderen om wurging en verstriking te voorkomen.
- Kinderen kunnen met hun nek in een koord verstrikt raken.
- Plaats bedden, kinderbedjes en meubilair niet in de buurt van koorden van raambekleding.
- Knoop koorden niet aan elkaar vast.
- Let erop dat koorden niet in elkaar draaien en een lus vormen.

Reiniging

Volg de algemene regels voor het reinigen van het apparaat en de onderdelen:

- Gebruik een zachte, pluisvrije, licht vochtige doek. Voorkom dat er vocht in de openingen komt.
- Gebruik geen sprays, oplosmiddelen, alcohol of schuren- of middelen.

Service & Ondersteuning

Voer zelf geen reparaties uit. Probeer het apparaat niet te open of te demonteren. Gevaar voor elektrische schokken en het vervallen van de garantie. Bevat geen door de gebruiker te vervangen onderdelen.

Garantie

Volg altijd eerst de instructie in deze handleiding voordat u naar uw dealer gaat. Als het apparaat defect lijkt of niet goed functioneert ga dan naar uw dealer voor garantie.

Recycle

Dit icoon geeft aan dat dit product niet samen met andere huishoudelijke apparaten mag worden weggegooid in de EU. Om mogelijke schade aan het milieu of de menselijke gezondheid te voorkomen, moet het op verantwoorde wijze worden gerecycled om duurzaam hergebruik van materiële hulpbronnen te bevorderen. Om uw gebruikte apparaat te retourneren, gebruikt u het retour- en verzamelsysteem of neemt u contact op met de retailer waar het product is gekocht. Zij kunnen dit product meenemen voor milieuvriendelijke recycling.

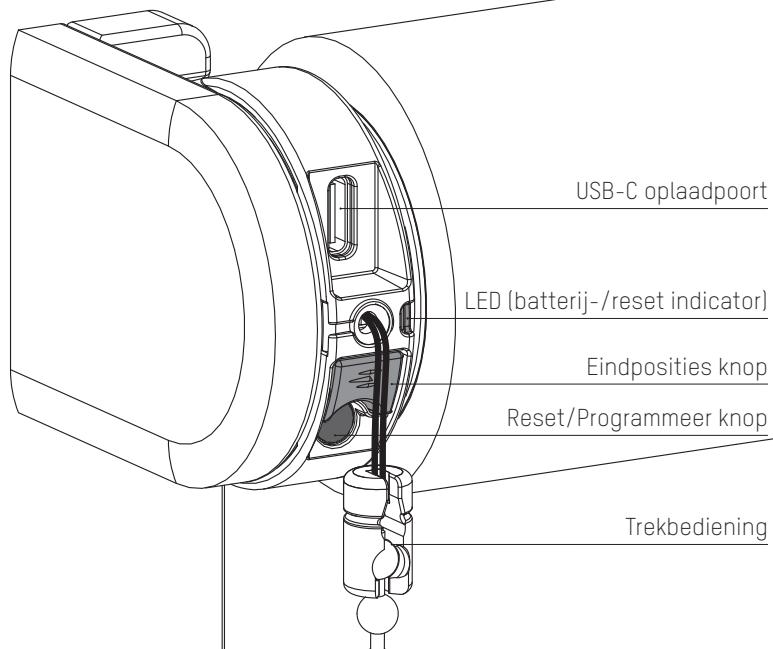


IP 20



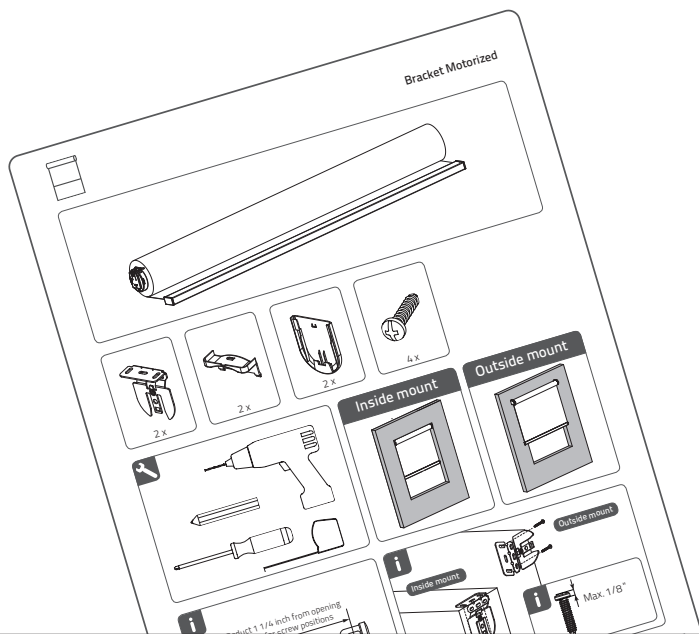
Conforms to
UL Std. 325
Certified to
CSA Std. C22.2#247

i Knoppen en functies



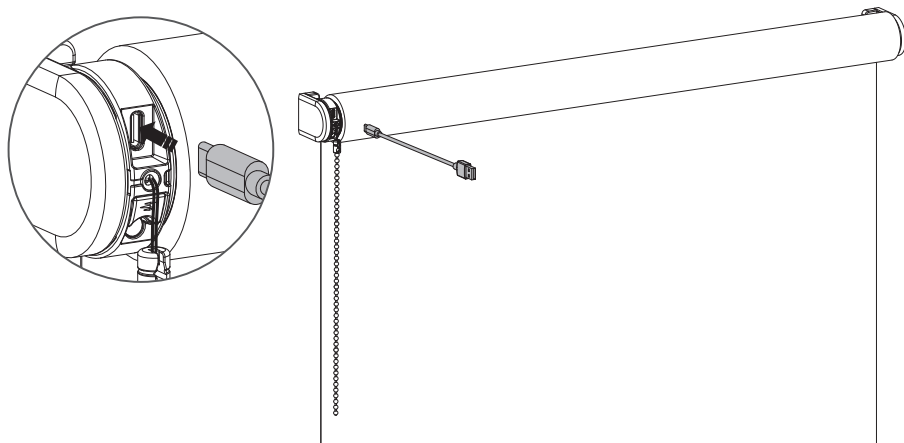
1 Installeer het rolgordijn

Volg de stappen in de installatie-instructies om het rolgordijn te installeren.



2 Activeer het rolgordijn

Om het rolgordijn te activeren, sluit u het aan op een standaard USB-C 5V-voeding via een USB-C-kabel. Dit kan bijvoorbeeld de voedingsadapter van uw smartphone zijn.



3 Eve MotionBlinds toevoegen aan jouw platform

Voeg Eve MotionBlinds toe aan het platform van je keuze en zorg voor een compatibele Thread Border Router.

Meer informatie: motionblinds.com/eve/matter

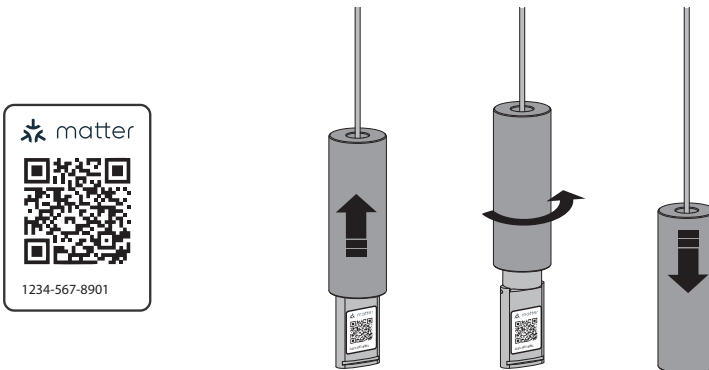


4 Programmeer het rolgordijn

Nu kun je Eve MotionBlinds eenvoudig toevoegen aan je smart home in slechts een paar stappen door de Matter Setup Code te scannen met de app van je favoriete platform. Scan de Matter Setup Code om het toe te voegen aan uw platform.

Eve motionblinds heeft eindposities nodig om goed te werken. Eindposities kunnen op 2 manieren worden geprogrammeerd. In de Eve app of met de knop voor het programmeren van eindposities op je rolgordijn. (Stap 5)

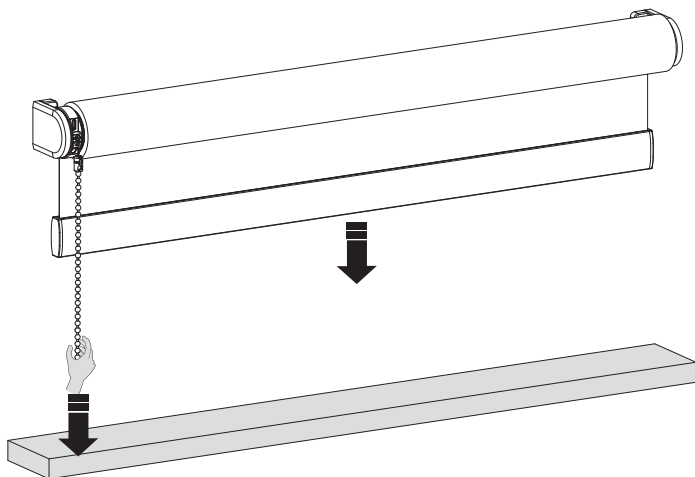
Na het scannen kun je de Matter Setup Code verbergen.



5 Stel eindposities in

U kunt de eindposities niet alleen met de app instellen, maar ook door op de knop op de motor te drukken. Trek aan de ketting en houd deze vast totdat de raambekleding de onderste positie heeft bereikt. Beweegt de raambekleding in de tegenovergestelde richting, laat dan de ketting los. Trek opnieuw aan de ketting en houd deze vast.

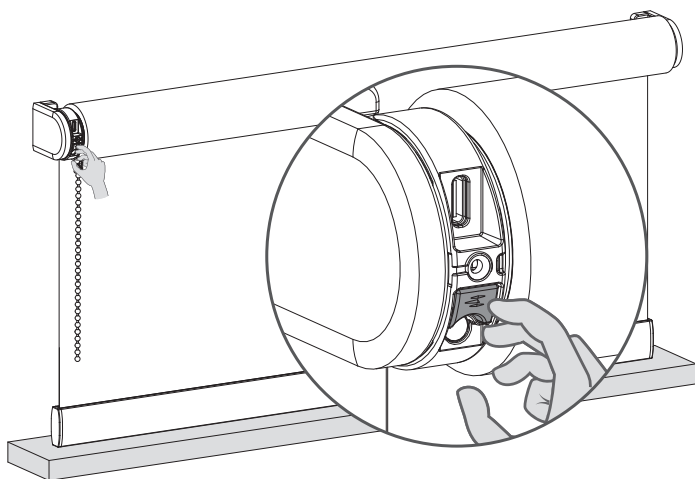
Pas aan totdat de gewenste onderste positie is bereikt.



6

6 Sla de onderste positie op

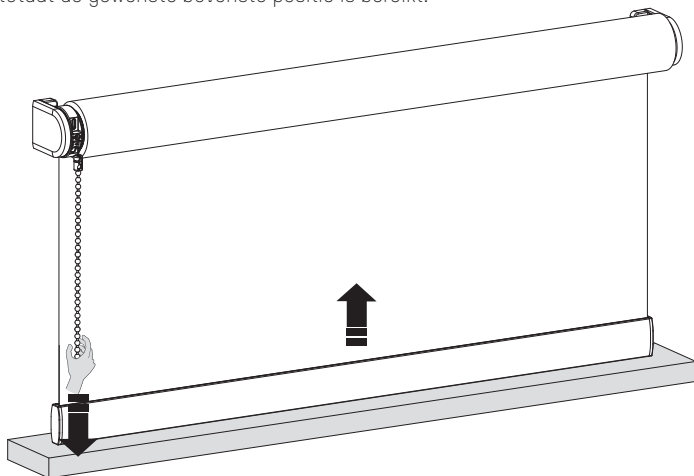
Wanneer de raambekleding op uw onderste positie staat, houdt u de knop ingedrukt totdat de raambekleding omhoog en omlaag beweegt om uw onderste positie op te slaan.



7 Beweeg de raambekleding naar de bovenste positie

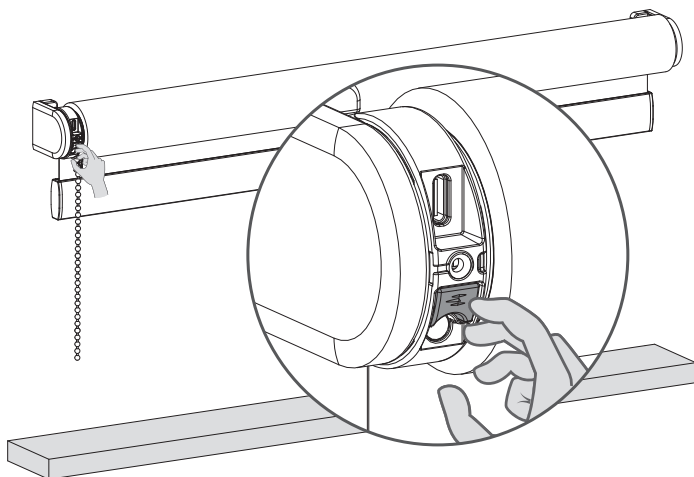
Trek aan de ketting en houd deze vast totdat de raambekleding de gewenste bovenste positie heeft bereikt. Beweegt de raambekleding in de tegenovergestelde richting, laat dan de ketting los. Trek opnieuw aan de ketting en houd deze vast.

Pas aan totdat de gewenste bovenste positie is bereikt.



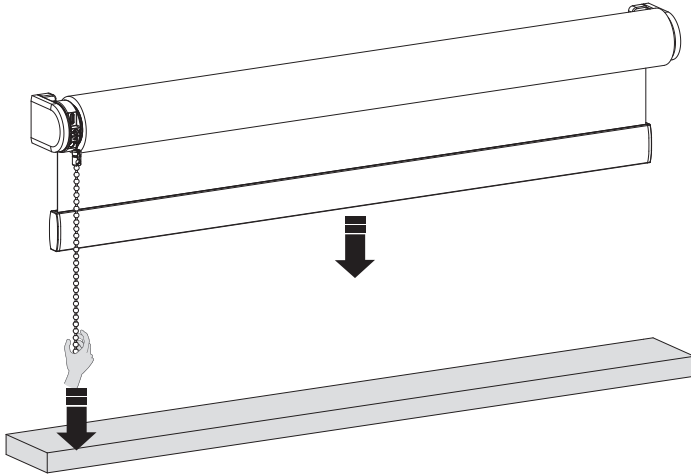
8 Sla de bovenste positie op

Wanneer de raambekleding op uw bovenste positie staat, houdt u de knop ingedrukt totdat de raambekleding omhoog en omlaag beweegt om uw bovenste positie op te slaan.



9 Pas uw eindposities aan

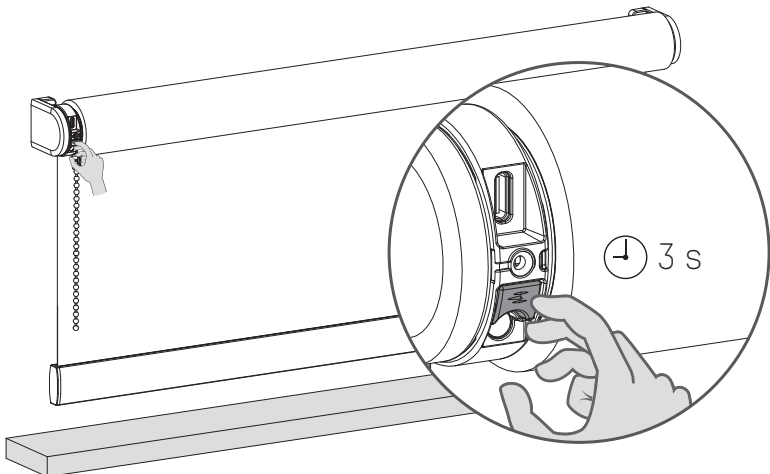
Om een van uw eindposities aan te passen, plaatst u de raambekleding op de eindpositie die u wilt aanpassen. Trek aan de ketting en wacht tot de raambekleding de eindpositie heeft bereikt die u wilt aanpassen.



8

10 Verwijder de (onderste/bovenste) positie

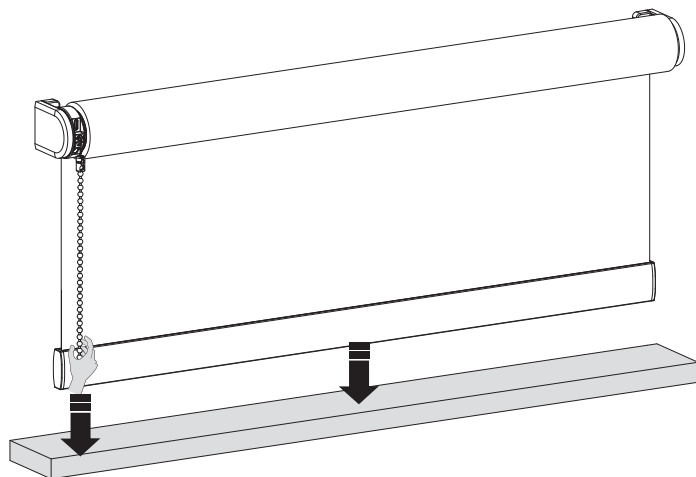
Houd de knop programmeren voor de eindpositie 3 seconden ingedrukt om uw (onderste/bovenste) positie te verwijderen. De raambekleding beweegt één maal omhoog en omlaag om te bevestigen dat de eindpositie is verwijderd. U kunt nu een nieuwe (bovenste/onderste) positie instellen.



11 Beweeg de raambekleding naar de nieuwe (onderste) positie

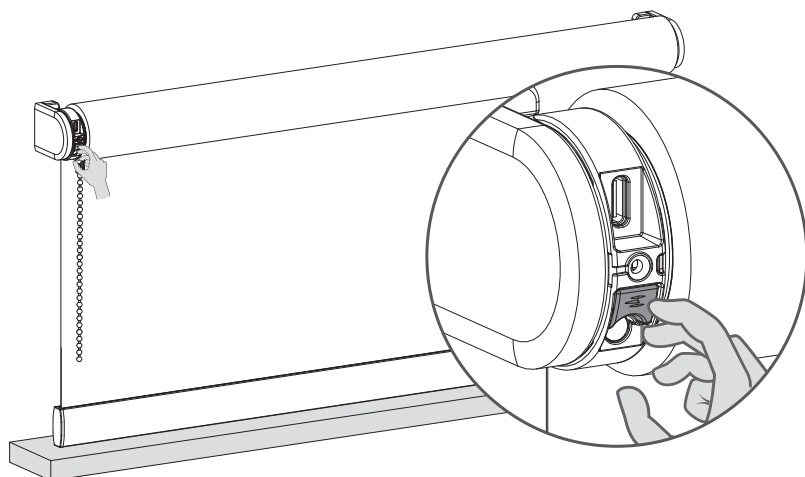
Trek aan de ketting en houd deze vast totdat de raambekleding de onderste positie heeft bereikt. Beweegt de raambekleding in de tegenovergestelde richting, laat dan de ketting los. Trek opnieuw aan de ketting en houd deze vast.

Pas aan totdat de gewenste onderste positie is bereikt.



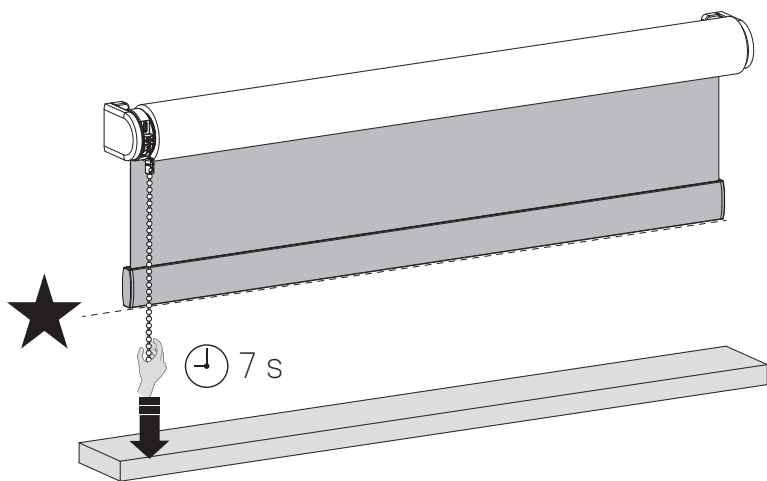
12 Sla de (onderste) positie op

Wanneer de raambekleding op uw onderste positie staat, houdt u de knop ingedrukt totdat de raambekleding omhoog en omlaag beweegt om uw onderste positie op te slaan.



13 Sla de favoriete positie op

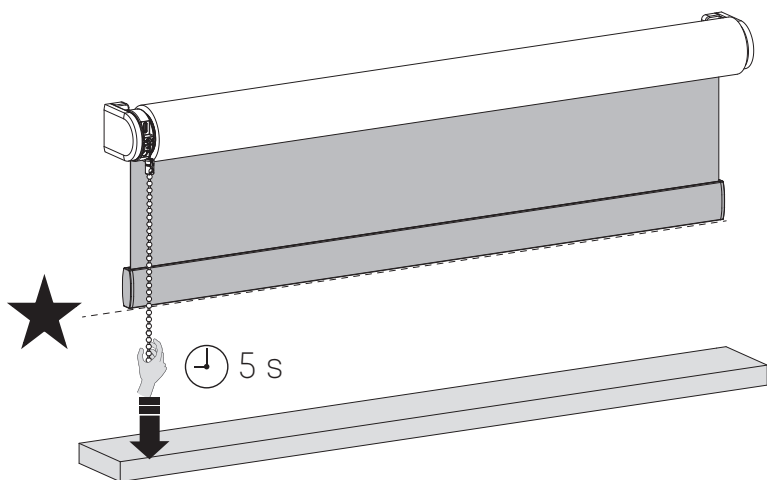
Als er geen favoriete positie is geprogrammeerd, moet u de raambekleding op uw favoriete positie plaatsen. Wanneer de raambekleding op uw favoriete positie staat, houdt u de trekbediening vast totdat de raambekleding één keer op en neer gaat (ongeveer 7 seconden).



10

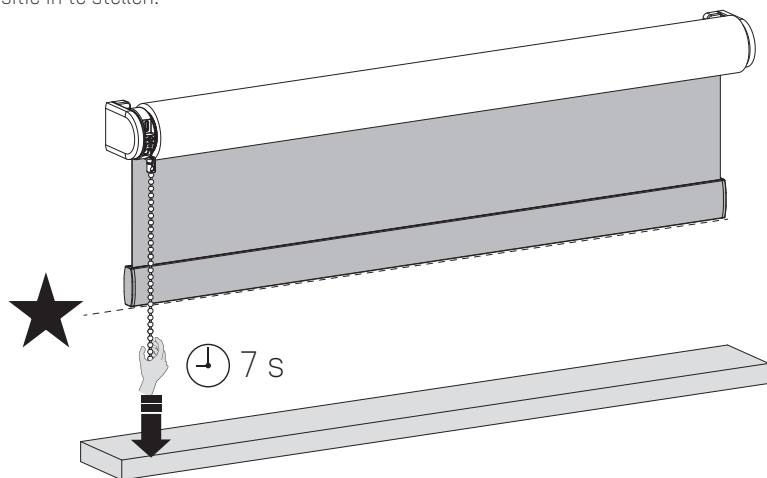
14 Bediende raambekleding naar de favoriete positie

Als de raambekleding niet op de favoriete positie staat, houdt u de trekbediening 5 seconden vast en de raambekleding beweegt naar de favoriete positie.



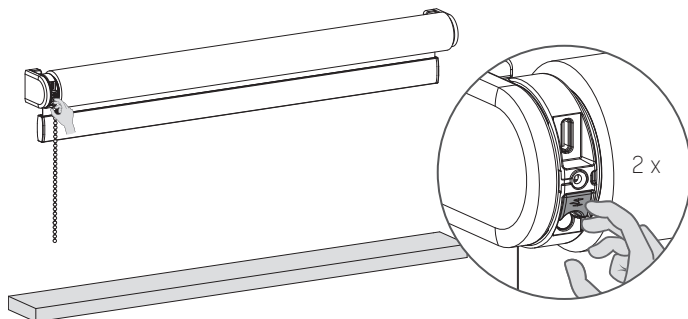
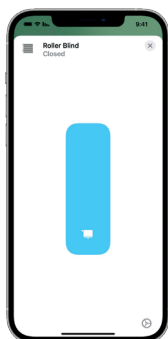
15 Sla een nieuwe favoriete positie op

Om uw vorige favoriete positie te verwijderen, moet u de raambekleding op uw huidige favoriete positie plaatsen. (Stap 10) Houd de trekbediening vast totdat de raambekleding één keer op en neer gaat. (Ongeveer 7 seconden.) Uw favoriete positie is nu gewist. Volg stap 9 om een nieuwe favoriete positie in te stellen.



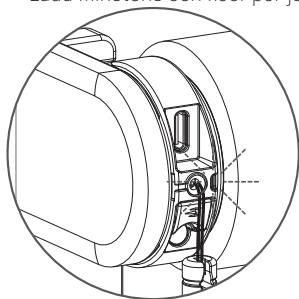
i Verander de draairichting

Als in de app de positie van de raambekleding tegenovergesteld is aan die van de raambekleding zelf, verander dan de draairichting door de knop Eindpositie binnen een seconde twee keer in te drukken.

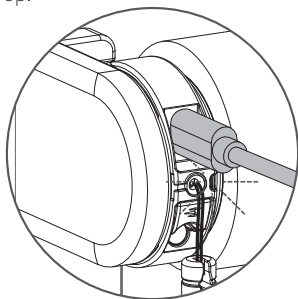


i Laad de raambekleding op

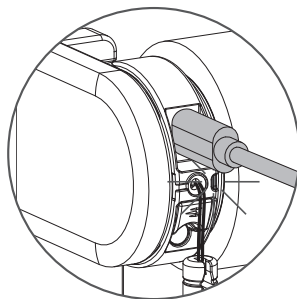
Om de raambekleding op te laden, sluit u deze raambekleding aan op een standaard USB-C 5V-voeding via een USB-C-kabel. Bijvoorbeeld via de voedingsadapter van uw smartphone. Laad minstens één keer per jaar op.



Het ledlampje knippert rood wanneer het systeem actief is; laad de batterij op



Het ledlampje knippert groen; de batterij wordt opgeladen

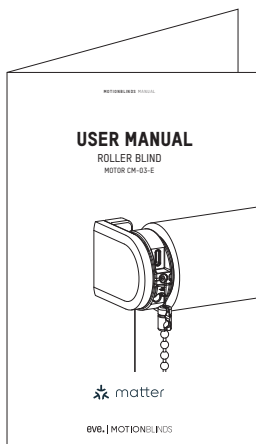


Het ledlampje brandt groen; de batterij is helemaal opgeladen

12

i Meer informatie

Scan de QR-code hieronder om de volledige gebruikershandleiding te bekijken met meer informatie en geavanceerde opties.



Gebruikershandleiding
tube.nl/red1959

Belangrijke veiligheidsinstructies

WAARSCHUWING: Om het risico op ernstige verwondingen of op de dood te verminderen is het belangrijk voor de veiligheid van personen om deze instructies te volgen. Bewaar deze instructies.

- Lees alle installatie-instructies en volg ze op.
- Dit apparaat kan worden gebruikt door kinderen vanaf 8 jaar, door personen met lichamelijke, zintuiglijke of verstandelijke beperkingen en door personen zonder ervaring en kennis, mits er sprake is van toezicht of van instructies over het veilige gebruik van het apparaat en mits ze de mogelijke gevaren van het gebruik ervan hebben begrepen. Laat kinderen niet met het apparaat spelen. Laat kinderen het apparaat niet zonder toezicht schoonmaken en onderhouden.
- Laat de kinderen niet spelen met vaste bedieningselementen. Houd de afstandsbediening buiten bereik van kinderen.
- Controleer regelmatig of de installatie niet uit balans is en of er sporen zijn van slijtage of schade aan kabels en veren. Gebruik het product niet als er reparatie of aanpassing nodig is.
- Deze handleiding is ook online beschikbaar.
- De aandrijving moet van de voedingsbron worden losgekoppeld tijdens het vervangen van onderdelen, schoonmaken en onderhouden.
- Het A-gewogen geluidsdrukkniveau in de oren van de gebruiker is gelijk aan of minder dan 70 dB(A).
- Alleen voor gebruik binnenshuis en in huishoudelijke omgevingen.
- Koppel de aandrijving los van de voeding of schakel de automatische bediening uit wanneer er onderhoudswerkzaamheden in de omgeving worden uitgevoerd, zoals tijdens het wassen van ramen.
- Zorg dat er geen andere personen in de buurt zijn als u een dodemansschakelaar gebruikt.
- Bedien het product niet wanneer er onderhoudswerkzaamheden in de buurt worden uitgevoerd, zoals het wassen van ramen.
- De buismotor mag alleen werken met een veilige, extra lage spanning die overeenkomt met de markering op het apparaat.
- Maximale bedrijfstemperatuur van de motor is +55°C. Maximale oplaadtemperatuur van de accu is +45°C.

- Dit apparaat bevat accu's die niet kunnen worden vervangen.

Belangrijke installatie-instructie

WAARSCHUWING: Belangrijke veiligheidsinstructies. Volg alle instructies; onjuiste installatie kan tot ernstig letsel leiden.

- Deze motor kan alleen worden gebruikt met zacht materiaal voor aangedreven onderdelen.
- Gevaarlijke onbeschermde bewegende onderdelen van de aandrijving moeten hoger dan 2,5m boven de vloer of andere vlakke ondergrond die er toegang toe biedt worden geïnstalleerd.
- Installeer het bewegende deel van een handmatige vrijgave minder dan 1,8 m hoog.
- Het bewegende deel van een dodemansschakelaar moet binnen het zicht van het aangedreven onderdeel maar uit de buurt van bewegende onderdelen worden geplaatst. Het moet op een minimale hoogte van 1,5 m worden geïnstalleerd en ontoegankelijk zijn voor het publiek.
- De massa en dimensie van het aangedreven onderdeel moeten compatibel zijn met het nominale vermogen en de nominale bedrijfstijd.
- Vaste bedieningsonderdelen moeten na de installatie duidelijk zichtbaar zijn.
- Het aangedreven deel moet compatibel zijn met het nominale vermogen 1,1 N.m en de nominale bedrijfstijd (12 min.).
- Minimale buisdiameter: Ø 25 mm.
- De aandrijving is bedoeld om te worden geïnstalleerd op een hoogte van minimaal 2,5m boven de vloer of een andere ondergrond die toegang biedt.
- De ont koppeling van alle polen moet in de vaste bedrading worden verwerkt volgens de bedradersregels.
- De batterij moet uit het apparaat worden verwijderd voor het apparaat wordt gesloopt. Voor de batterij verwijderd kan worden, moet het apparaat worden losgekoppeld van het stroomnet. Gooi de batterij niet weg, maar lever deze in bij de daarvoor bedoelde inleverpunten.

FCC-handleiding | FCC ID: ZY4CM03E IC:28117-CM03E

Wettelijk verplichte informatie

1 FCC-informatie voor de gebruiker

Dit product bevat geen onderdelen die door de gebruiker kunnen worden gerepareerd en mag alleen worden gebruikt met goedgekeurde antennes. Wijzigingen of aanpassingen aan het product zorgen dat wettelijke certificeringen en goedkeuringen die van toepassing zijn ongeldig worden.

2 FCC-kennisgevingen inzake elektronische emissies

Dit apparaat voldoet aan deel 15 van de FCC-regels.

Op het gebruik zijn de volgende twee voorwaarden van toepassing:

1. Dit apparaat mag geen schadelijke storingen veroorzaken;
2. Dit apparaat moet bestand zijn tegen alle storingen die worden ontvangen, inclusief storingen die een ongewenste werking kunnen veroorzaken.

14

3 FCC-verklaring inzake storingen door radiofrequentie

Deze apparatuur is getest en voldoet aan de beperkingen voor digitale apparaten van Klasse B, zoals beschreven in deel 15 van de FCC-regels. Deze limieten zijn opgesteld om redelijke bescherming te bieden tegen schadelijke storing wanneer de apparatuur in een bedrijfsomgeving wordt bediend. Deze apparatuur genereert en gebruikt radiofrequentie-energie en kan deze energie uitstralen; als de apparatuur niet wordt geïnstalleerd en gebruikt volgens de instructies, kan deze schadelijke storingen in de radiocommunicatie veroorzaken.

Gebruik van dit apparaat in een woonomgeving kan mogelijk schadelijke storing veroorzaken. In dat geval is de gebruiker verplicht om de storing voor eigen rekening te verhelpen.

Als dit apparaat schadelijke storing aan radiocommunicatie veroorzaakt (wat kan worden vastgesteld door de apparatuur uit en aan te zetten), dan wordt de gebruiker aangemoedigd om de storing te verhelpen door een van de volgende maatregelen uit te voeren:

- Verstel of verplaats de ontvangstantenne;
- Vergroot de afstand tussen de apparatuur en

de ontvanger;

- Sluit de apparatuur op een stopcontact aan dat zich in een ander circuit bevindt dan het stopcontact van de ontvanger;
- Raadpleeg de leverancier of een ervaren radio-/tv-monteur voor hulp.

Om te voldoen aan FCC / IC RF blootstelling vereisten, moet een afstand van 20 cm of meer worden aangehouden tussen de antenne van dit apparaat en personen tijdens het gebruik van het apparaat. Om conformiteit, wordt gebruik op kortere afstand dan deze afstand niet aanbevolen.

EU verklaring

Hierbij verklaart Coulisse dat de radioapparatuur type CM-03-E voldoet aan richtlijn 2014/53/EU. De volledige EU-conformiteitsverklaring is beschikbaar op support.motionblinds.com

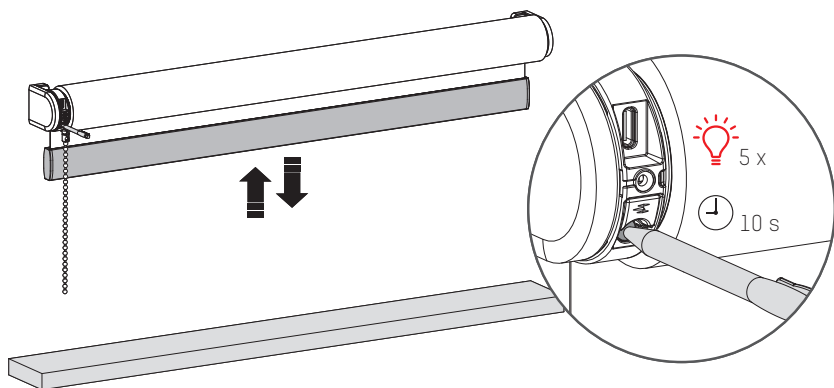
- Frequentiebereik: 433 MHz, RF-vermogen: 2.32 dBm
- Frequentiebereik BLE: 2402 - 2480 MHz, RF-vermogen: 3 dBm EIRP
- Frequentiebereik Thread: 2405 - 2480 MHz, RF-vermogen: < 20 dBm EIRP

ISED-conformiteit

Dit apparaat bevat van vergunning vrijgestelde zender(s)/ontvanger(s)(en) die voldoen aan de door Innovation, Science and Economic Development Canada's van vergunning vrijgestelde RSS[s]. Gebruik is onderworpen aan de volgende twee voorwaarden: Dit apparaat mag geen storing veroorzaken. Dit apparaat moet alle storingen accepteren, inclusief interferentie die een ongewenste werking van het apparaat kan veroorzaken.

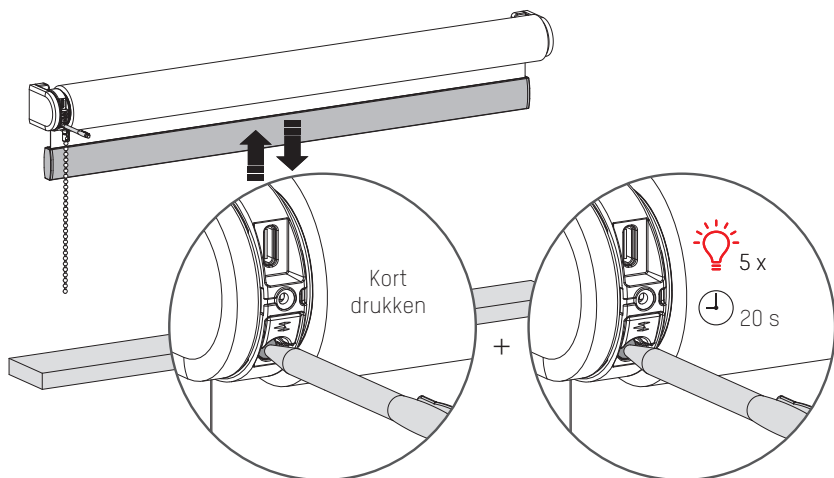
i Reset de verbinding

Houd de programmaknop 10 seconden ingedrukt om de verbinding tussen het rolgordijn en de app te wissen. De LED licht 5 keer op en het rolgordijn gaat 1 keer op en neer om aan te geven dat de verbinding is gereset. Nu kan het rolgordijn opnieuw worden verbonden.



i Reset het rolgordijn

Het resetten van het rolgordijn resulteert in het wissen van de eindposities en verbindingen van het rolgordijn met apps en afstandsbedieningen. Druk kort op de reset/programmeerknop om de reset modus te activeren. Het rolgordijn stept nu op en neer. Houd vervolgens de reset/programmeerknop ten minste 20 seconden ingedrukt om het rolgordijn te resetten. Het rolgordijn zal twee keer stoppen met stappen. Na de tweede stop zal het rolgordijn een extra step maken die aangeeft dat het rolgordijn is gereset.



FCC-handleiding | FCC ID: ZY4CM03E IC:28117-CM03E

Wettelijk verplichte informatie

1 FCC-informatie voor de gebruiker

Dit product bevat geen onderdelen die door de gebruiker kunnen worden gerepareerd en mag alleen worden gebruikt met goedgekeurde antennes. Wijzigingen of aanpassingen aan het product zorgen dat wettelijke certificeringen en goedkeuringen die van toepassing zijn ongeldig worden.

2 FCC-kennisgevingen inzake elektronische emissies

Dit apparaat voldoet aan deel 15 van de FCC-regels.

Op het gebruik zijn de volgende twee voorwaarden van toepassing:

1. Dit apparaat mag geen schadelijke storingen veroorzaken;
2. Dit apparaat moet bestand zijn tegen alle storingen die worden ontvangen, inclusief storingen die een ongewenste werking kunnen veroorzaken.

14

3 FCC-verklaring inzake storingen door radiofrequentie

Deze apparatuur is getest en voldoet aan de beperkingen voor digitale apparaten van Klasse B, zoals beschreven in deel 15 van de FCC-regels. Deze limieten zijn opgesteld om redelijke bescherming te bieden tegen schadelijke storing wanneer de apparatuur in een bedrijfsomgeving wordt bediend. Deze apparatuur genereert en gebruikt radiofrequentie-energie en kan deze energie uitstralen; als de apparatuur niet wordt geïnstalleerd en gebruikt volgens de instructies, kan deze schadelijke storingen in de radiocommunicatie veroorzaken.

Gebruik van dit apparaat in een woonomgeving kan mogelijk schadelijke storing veroorzaken. In dat geval is de gebruiker verplicht om de storing voor eigen rekening te verhelpen.

Als dit apparaat schadelijke storing aan radiocommunicatie veroorzaakt (wat kan worden vastgesteld door de apparatuur uit en aan te zetten), dan wordt de gebruiker aangemoedigd om de storing te verhelpen door een van de volgende maatregelen uit te voeren:

- Verstel of verplaats de ontvangstantenne;
- Vergroot de afstand tussen de apparatuur en

de ontvanger;

- Sluit de apparatuur op een stopcontact aan dat zich in een ander circuit bevindt dan het stopcontact van de ontvanger;
- Raadpleeg de leverancier of een ervaren radio-/tv-monteur voor hulp.

Om te voldoen aan FCC / IC RF blootstelling vereisten, moet een afstand van 20 cm of meer worden aangehouden tussen de antenne van dit apparaat en personen tijdens het gebruik van het apparaat. Om conformiteit, wordt gebruik op kortere afstand dan deze afstand niet aanbevolen.

EU verklaring

Hierbij verklaart Coulisse dat de radioapparatuur type CM-03-E voldoet aan richtlijn 2014/53/EU. De volledige EU-conformiteitsverklaring is beschikbaar op support.motionblinds.com

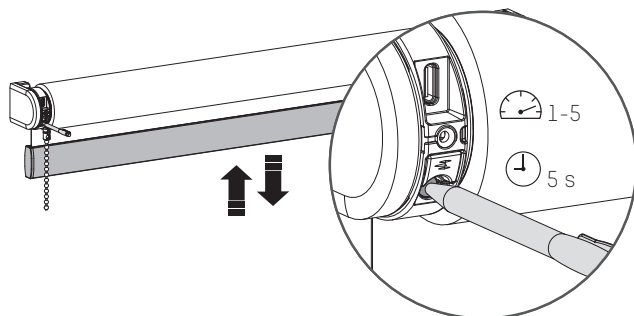
- Frequentiebereik: 433 MHz, RF-vermogen: 2.32 dBm
- Frequentiebereik BLE: 2402 - 2480 MHz, RF-vermogen: 3 dBm EIRP
- Frequentiebereik Thread: 2405 - 2480 MHz, RF-vermogen: < 20 dBm EIRP

ISED-conformiteit

Dit apparaat bevat van vergunning vrijgestelde zender(s)/ontvanger(s)(en) die voldoen aan de door Innovation, Science and Economic Development Canada's van vergunning vrijgestelde RSS[s]. Gebruik is onderworpen aan de volgende twee voorwaarden: Dit apparaat mag geen storing veroorzaken. Dit apparaat moet alle storingen accepteren, inclusief interferentie die een ongewenste werking van het apparaat kan veroorzaken.

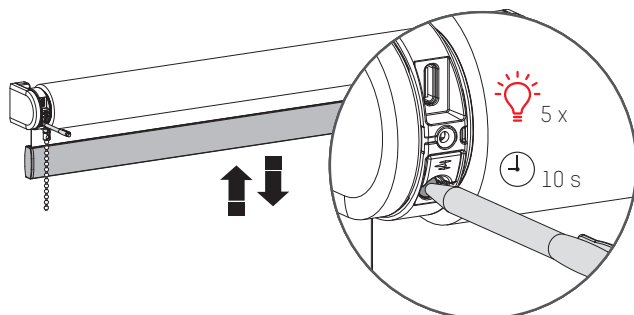
i Motorsnelheid / geluidsniveau wijzigen

Houd de programmaknop 5 seconden ingedrukt om de motorsnelheid / het geluidsniveau te wijzigen. Het rolgordijn gaat 1 keer op en neer om aan te geven dat de snelheid is aangepast naar 1 van de 5 niveaus. Waarschuwing: laat de knop na 5 seconden los als het rolgordijn op en neer gaat om te voorkomen dat de verbinding wordt gereset.



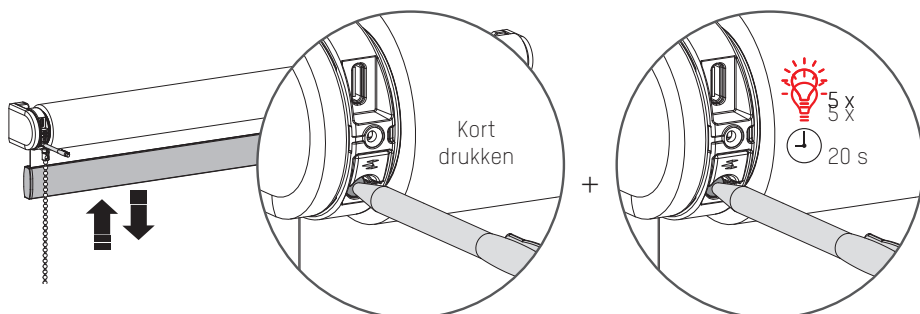
i Reset de verbinding

Houd de programmaknop 10 seconden ingedrukt om de verbinding tussen het rolgordijn en de app te wissen. De LED licht 5 keer op en het rolgordijn gaat 1 keer op en neer om aan te geven dat de verbinding is gereset. Nu kan het rolgordijn opnieuw worden verbonden.



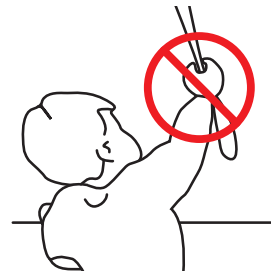
i Reset het rolgordijn

Het resetten van het rolgordijn resulteert in het wissen van de eindposities en verbindingen van het rolgordijn met apps en afstandsbedieningen. Druk kort op de reset/programmeerknop om de reset modus te activeren. Het rolgordijn stept nu op en neer. Houd vervolgens de reset/programmeerknop ten minste 20 seconden ingedrukt om het rolgordijn te resetten. Het rolgordijn zal twee keer stoppen met stappen. Na de tweede stop zal het rolgordijn een extra step maken die aangeeft dat het rolgordijn is gereset.





ADVERTENCIA



Lea detenidamente las instrucciones antes de instalar y usar el producto. El proceso de montaje puede ser completado por personas no profesionales. Para uso en interiores.

- Se han producido estrangulaciones de niños con cordones de tiro, cadenas, cintas y cordones de accionamiento de este producto.
- Mantenga los cordones fuera del alcance de los niños para evitar que puedan quedarse atrapados en ellos y estrangularse.
- Los cordones pueden enrollarse en el cuello de los niños.
- Separe las camas, las cunas y los muebles de los cordones de las cortinas.
- No anude los cordones.
- Asegúrese de que los cordones no se entrecrucen y formen un lazo.

Limpeza

Siga estas reglas generales al limpiar la parte exterior del dispositivo y sus componentes:

- Usar un trapo suave, sin pelusa, húmedo. Evitar que entre humedad en las aperturas.
- No usar aerosoles en spray, disolventes, alcohol, ó abrasivos.

Servicio y Soporte

No hacer ninguna reparación. No intente abrir o desamblar el dispositivo. Corre el riesgo de una descarga eléctrica e invalidar la garantía limitada. No hay ninguna parte en el interior servible para el usuario.

Obtener Servicio de Garantía

Primero seguir los consejos de este folleto y luego ir a su distribuidor local.

Si el producto parece estar dañado ó no funciona adecuadamente, dirijase a su distribuidor local para recibir instrucciones de cómo obtener el servicio de garantía.

Reciclaje

Esta marca indica que este producto no debe desecharse con otros residuos domésticos en toda la UE. Para evitar posibles daños al medio ambiente o a la salud, debidos a la eliminación incontrolada de residuos, se debe reciclar correctamente para promover la reutilización sostenible de recursos materiales. Para devolver el dispositivo usado, utilice los sistemas de devolución y recogida establecidos o póngase en contacto con el establecimiento donde adquirió el producto. Ellos pueden recoger este producto para un reciclado seguro y no contaminante.

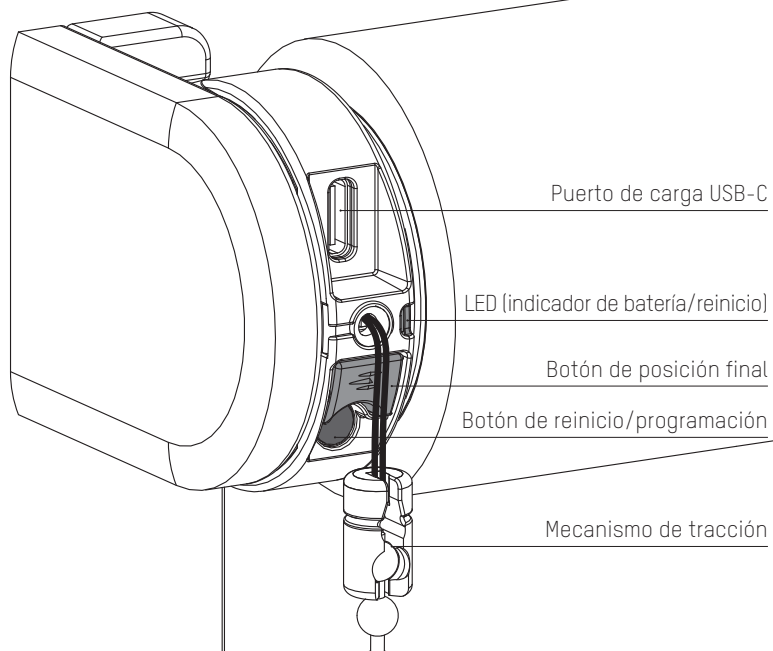


IP 20



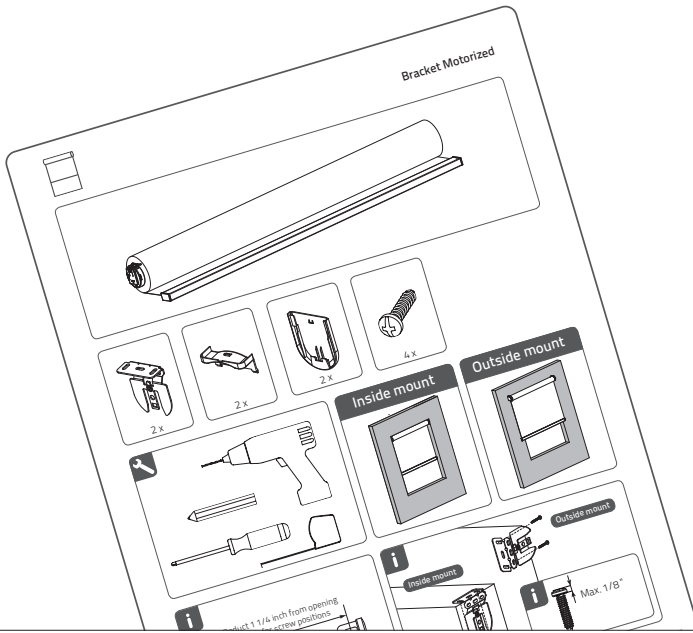
Conforms to
UL Std. 325
Certified to
CSA Std. C22.2#247

i Botones y funciones



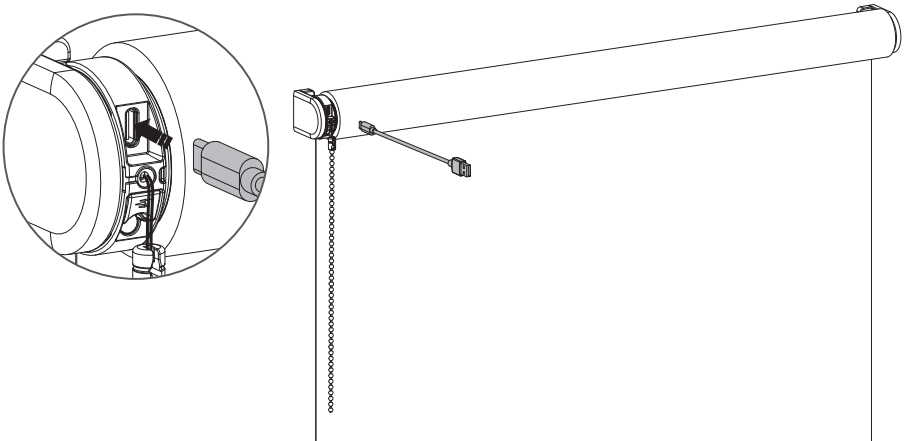
1 Instalar la cortina

Siga los pasos de las instrucciones de instalación para instalar la cortina.



2 Activar la cortina

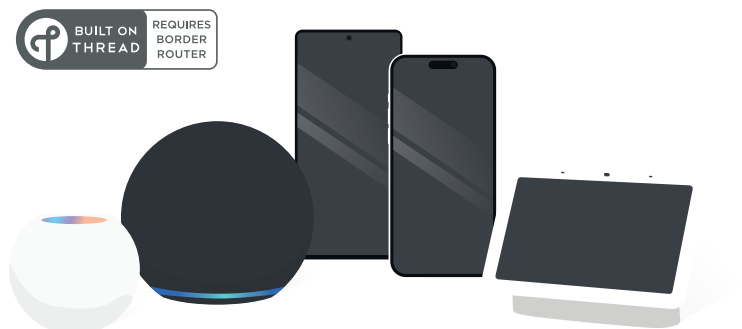
Para activar la cortina, conéctala a una fuente de alimentación estándar USB-C de 5 V mediante un cable USB-C. Puede ser el adaptador de corriente de tu smartphone, por ejemplo.



3 Añada Eve MotionBlinds a su plataforma

Añada Eve MotionBlinds a la plataforma de su elección y asegúrese de tener un router Thread compatible.

Más información: motionblinds.com/eve/matter

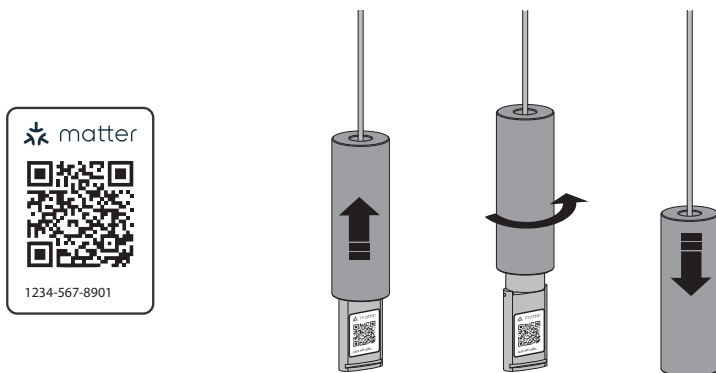


4 Configurar la cortina

Ahora puede añadir fácilmente Eve MotionBlinds a su hogar inteligente en tan solo unos pasos escaneando el código de configuración Matter mediante la aplicación de su plataforma favorita. Escanee el Matter Setup Code para añadirlo a su plataforma.

Eve motionblinds necesita posiciones finales para funcionar correctamente. Las posiciones finales se pueden programar de 2 maneras. En la aplicación Eve o mediante el botón de programación de posiciones finales de su cortina. (Paso 5)

Después de escanearlo puede ocultar su Código de Configuración de Matter.



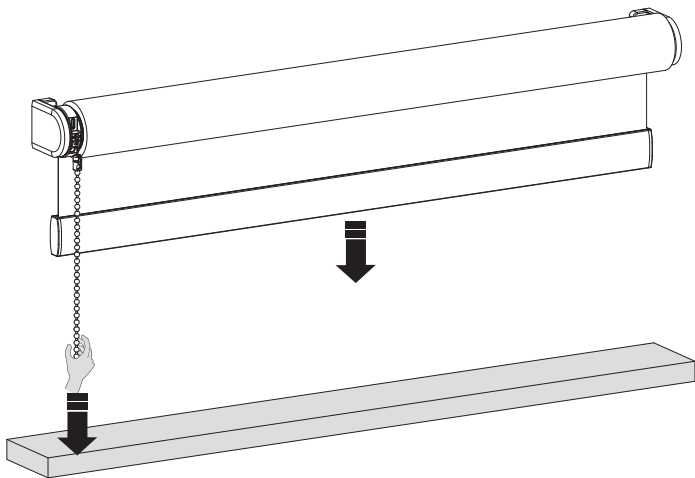
5 Ajustar las posiciones finales

Además de ajustar las posiciones finales mediante la aplicación, puede hacerlo pulsando el botón del motor.

Pulse y sostenga la cadena hasta que la cortina alcance la posición inferior.

Si la cortina se mueve en sentido contrario, suelte la cadena y vuelva a tirar y sujetar.

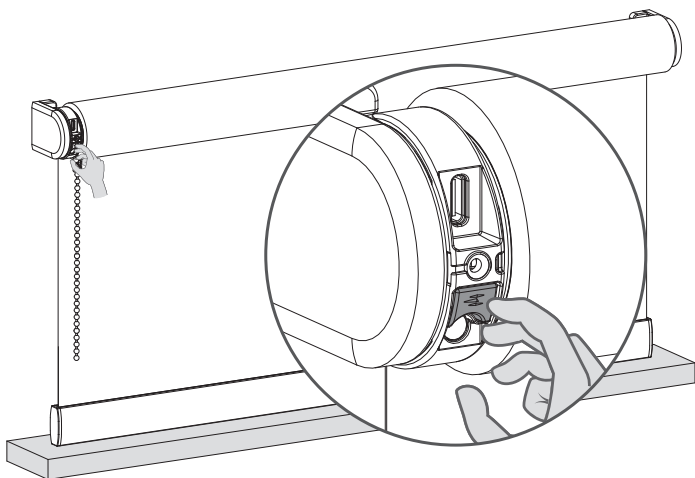
Ajuste hasta alcanzar la posición inferior deseada.



6

6 Guardar la posición inferior

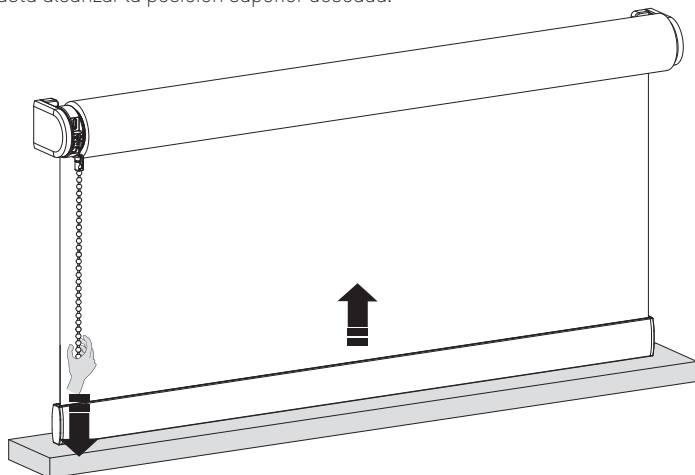
Cuando la cortina esté colocada en su posición inferior mantenga pulsado el botón hasta que la cortina se mueva hacia arriba y hacia abajo para guardar su posición inferior.



7 Mover su cortina hasta la posición superior

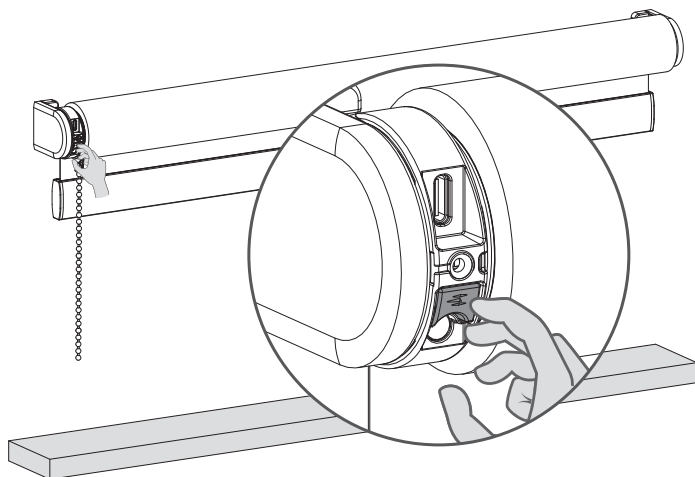
Pulse y sostenga la cadena hasta que la cortina alcance la posición superior. Si la cortina se mueve en sentido contrario, suelte la cadena y vuelva a tirar y sujetar.

Ajuste hasta alcanzar la posición superior deseada.



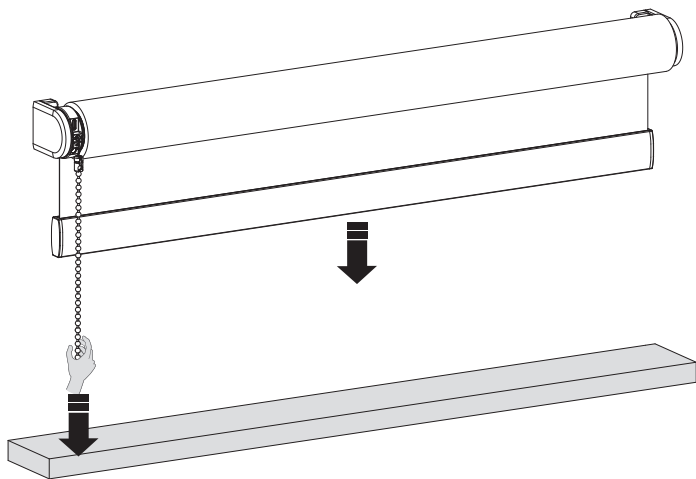
8 Guardar la posición superior

Cuando la cortina esté colocada en su posición superior mantenga pulsado el botón hasta que la cortina se mueva hacia arriba y hacia abajo para guardar su posición superior.



9 Ajustar sus posiciones finales

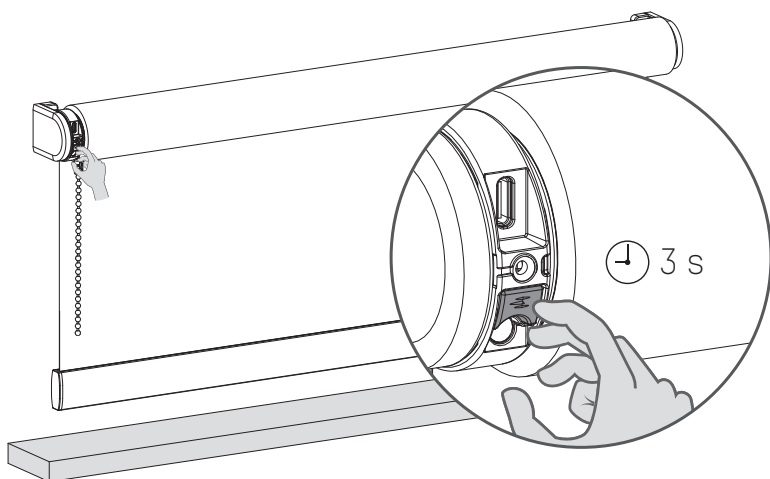
Para ajustar una de sus posiciones finales, deberá colocar la cortina en la posición final que desee ajustar. Tire y espere hasta que la cortina haya alcanzado la posición final que desea ajustar.



8

10 Borrar su posición (inferior/superior)

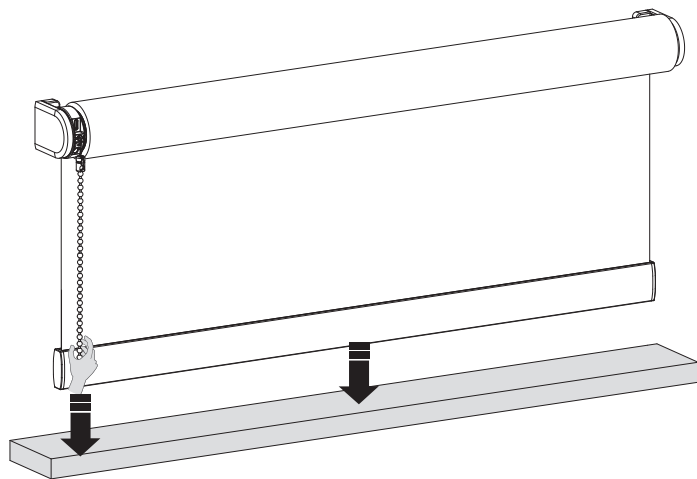
Mantenga pulsado el botón de programación de posición final durante 3 segundos para borrar su posición (inferior/superior). La cortina subirá y bajará una vez para confirmar que se ha borrado su posición final. Ahora puede fijar una nueva posición (inferior/superior).



11 Mover su cortina hasta la nueva posición (inferior)

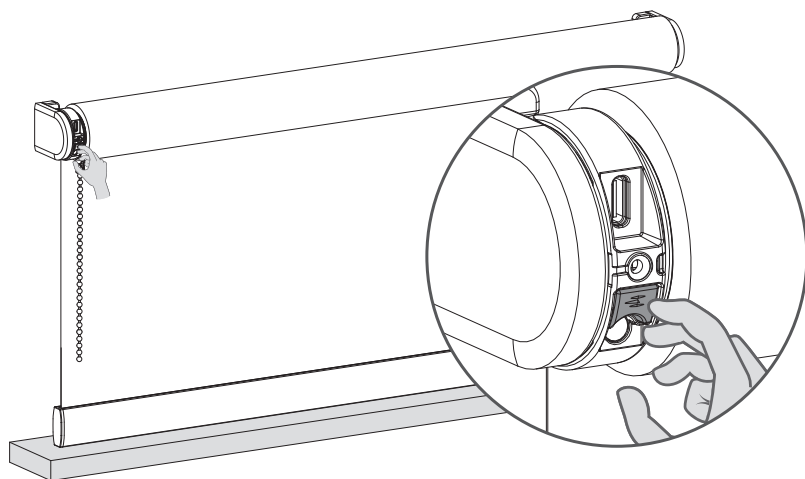
Pulse y sostenga la cadena hasta que la cortina alcance la posición inferior. Si la cortina se mueve en sentido contrario, suelte la cadena y vuelva a tirar y sujetar.

Ajuste hasta alcanzar la posición inferior deseada.



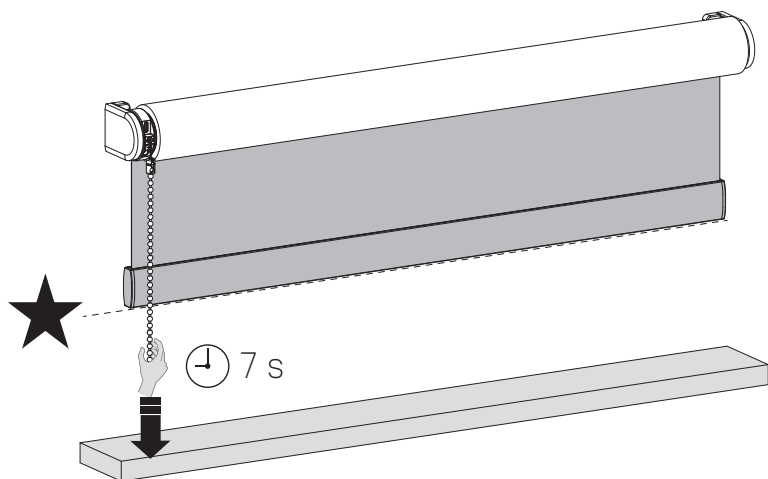
12 Guardar su posición (inferior)

Cuando la cortina esté colocada en su posición inferior mantenga pulsado el botón hasta que la cortina se mueva hacia arriba y hacia abajo para guardar su posición inferior.



13 Guardar la posición favorita

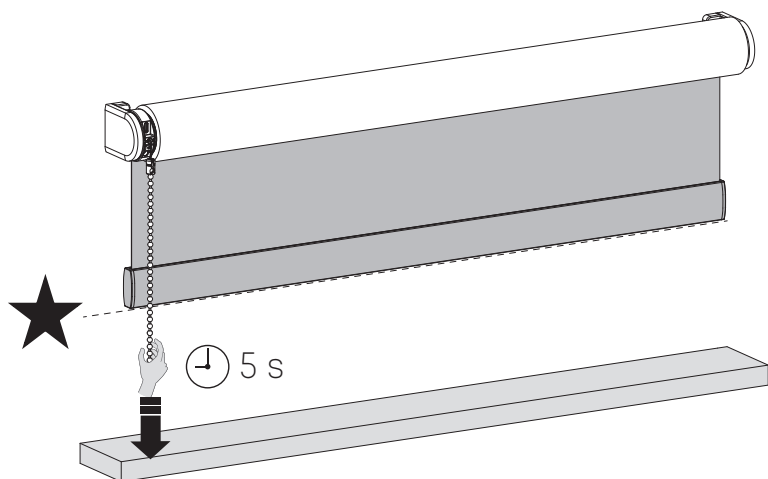
Cuando no hay una posición favorita programada, debe colocar la cortina en su posición favorita. Cuando la cortina esté en su posición favorita, tire y sostenga hasta que la cortina suba y baje una vez. (Aproximadamente 7 segundos)



10

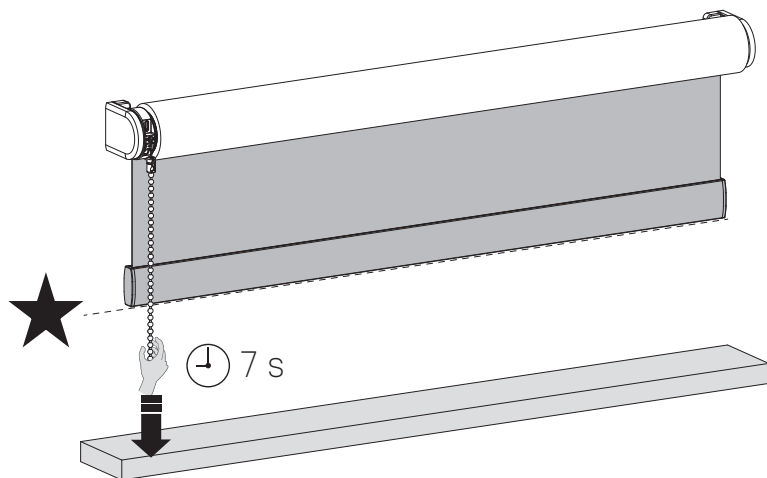
14 Controle su cortina hasta su posición favorita

Cuando su cortina no esté colocada en la posición favorita, tire y sostenga durante 5 segundos y su cortina se moverá a su posición favorita.



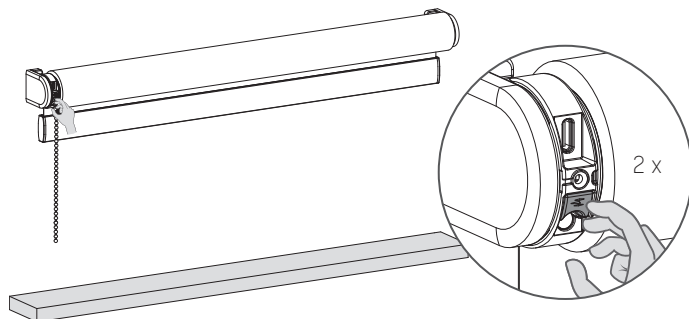
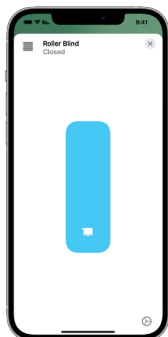
15 Guardar una nueva posición favorita

Para borrar su posición favorita anterior, debe colocar la cortina en su posición favorita actual. (Paso 10) A continuación, tire y sostenga hasta que la cortina suba y baje una vez. (Aproximadamente 7 segundos) Su posición favorita se ha borrado. Siga el paso 9 para fijar su nueva posición favorita.



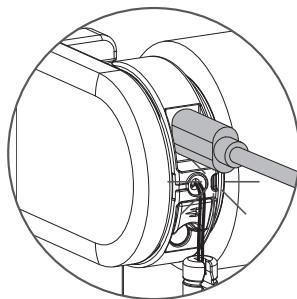
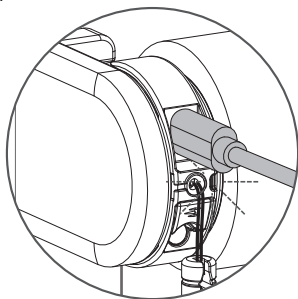
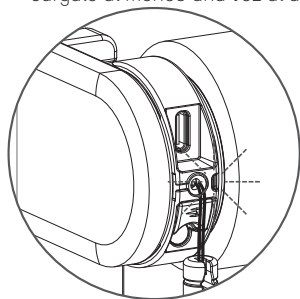
i Cambiar la dirección de rotación

Si la posición de la cortina en la aplicación es opuesta a la de su cortina, cambie la dirección de rotación pulsando el botón Posición final dos veces en un segundo.



i Recargar la cortina

Para cargar la cortina, conéctela a una fuente de alimentación estándar USB-C de 5 V mediante un cable USB-C. Puede ser el adaptador de corriente del smartphone, por ejemplo. Cárgalo al menos una vez al año.



Si la luz parpadea en rojo durante el funcionamiento, cargue la batería



Si la luz está en verde, la batería se está cargando

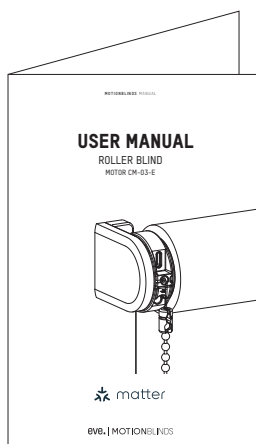


Si la luz está en verde, la batería está completamente cargada

12

i Más información

Escanee el código QR que aparece a continuación para ver el manual de usuario completo con más información y opciones avanzadas.



Manual del usuario
rtube.nl/red1959

Instrucciones de seguridad importantes

ADVERTENCIA: Para reducir el riesgo de lesiones graves o la muerte. Es importante para la seguridad de las personas que siga estas instrucciones. Conserve estas instrucciones.

- Lea y siga todas las instrucciones de instalación.
- Este dispositivo puede ser utilizado por niños mayores de 8 años y por personas con capacidades físicas, sensoriales o mentales reducidas o con falta de experiencia y conocimientos siempre que estén bajo supervisión y hayan recibido instrucciones pertinentes sobre el uso del dispositivo de manera segura y comprendan los peligros que conlleva. Los niños no deben jugar con el dispositivo. Los niños no deben realizar tareas de limpieza y mantenimiento sin supervisión.
- No permita que los niños jueguen con los mandos fijos. Mantenga los mandos remotos fuera del alcance de los niños.
- Examine la instalación periódicamente para detectar desajustes y signos de desgaste o daños en cables y muelles. No la utilice si necesita ser ajustada o reparada.
- Este manual de instrucciones también está disponible en la página web.
- La unidad de accionamiento debe desconectarse de su fuente de energía durante la limpieza, el mantenimiento o al reemplazar piezas.
- El nivel de presión acústica de emisión ponderado A de la unidad de accionamiento es igual o inferior a 70dB(A).
- Solo para uso doméstico y en interiores.
- Examine la instalación periódicamente para detectar desajustes y signos de desgaste o daños en cables y muelles. No la utilice si necesita ser ajustada o reparada.
- Desconecte la unidad de accionamiento del suministro eléctrico o apague los controles automáticos cuando se realicen tareas de mantenimiento en las inmediaciones, tales como la limpieza de cristales.
- Cuando se use en el modo de hombre muerto, asegúrese de que otras personas estén lejos.
- No utilice la instalación cuando se realicen tareas de mantenimiento en las inmediaciones, tales como la limpieza de cristales.
- El motor tubular solo debe alimentarse con una tensión baja de protección, según la indicación en el dispositivo.

- La temperatura máxima de funcionamiento del motor es de +55°C. La temperatura máxima de carga del paquete de baterías es de +45°C. Este aparato contiene baterías que no son reemplazables.
- Este dispositivo contiene baterías no reemplazables.

Instrucciones de instalación importantes

ADVERTENCIA: Instrucciones de seguridad importantes. Siga todas las instrucciones, ya que una instalación incorrecta puede provocar lesiones graves.

- Este motor solo puede utilizarse con material suave para las partes accionadas.
- Las piezas móviles, peligrosas y desprotegidas de la unidad de accionamiento deben instalarse a una altura superior a 2,5 m del suelo o en otro nivel que permita acceder a ellas.
- Instale el mecanismo de accionamiento para el desbloqueo manual a una altura inferior a 1,8 m.
- El mecanismo de accionamiento de un dispositivo de hombre muerto debe situarse a escasa distancia de la parte accionada pero alejado de las piezas móviles. Debe instalarse a una altura mínima de 1,5 m y no ser accesible al público.
- La masa y la dimensión de la parte accionada deben ser compatibles con el par de giro nominal y el tiempo de funcionamiento nominal.
- Los mandos fijos deben ser claramente visibles después de su instalación.
- La parte accionada debe ser compatible con el par de giro nominal 1.1N.m y el tiempo de funcionamiento nominal (12min).
- Diámetro mínimo del tubo: Ø25mm.
- La unidad de accionamiento debe instalarse a una altura de, al menos, 2,5 m del suelo o a otro nivel de acceso.
- La desconexión para todos los polos debe ser incorporada en el cableado fijo, de conformidad con las normas de cableado.

Manual de la FCC | FCC ID: ZY4CM03E IC:28117-CM03E

Información reglamentaria

1 Información de la FCC para el usuario

Este producto no contiene ninguna pieza que el usuario pueda reparar o reemplazar, y solo debe utilizarse con antenas aprobadas. Cualquier cambio o modificación al producto invalidará todas las certificaciones y aprobaciones reglamentarias aplicables.

2 Avisos de emisión electrónica de la FCC

Este dispositivo cumple con el apartado 15 de las Normas de la FCC.

El funcionamiento está sujeto a las dos condiciones siguientes:

1. Este dispositivo no puede causar interferencias perjudiciales.
2. Este dispositivo debe aceptar cualquier interferencia que reciba, incluida aquella que pueda causar un funcionamiento no deseado del dispositivo.

14 3 Declaración de interferencia de radiofrecuencia de la FCC

Este equipo ha sido sometido a las pruebas pertinentes y cumple con los límites establecidos para un dispositivo digital de clase B, conforme al apartado 15 de las Normas de la FCC. Estos límites están diseñados para proporcionar una protección razonable

contra interferencias perjudiciales, cuando el equipo funciona en un entorno comercial. Este equipo genera, utiliza y puede irradiar energía de radiofrecuencia y, si no se instala y utiliza conforme a las instrucciones, puede causar interferencias perjudiciales en las comunicaciones de radio.

El funcionamiento de este equipo en un área residencial puede causar interferencias perjudiciales, en cuyo caso el usuario tendrá que corregir la interferencia a su propio coste.

Si este equipo ocasiona interferencias perjudiciales en la recepción de la televisión o radio, lo cual puede determinarse encendiendo y apagando el equipo, se recomienda al usuario que intente corregir

la interferencia, adoptando una o más de las siguientes medidas:

- Reorientar o reubicar la antena de recepción
- Aumentar la separación entre el equipo y el

receptor

- Conectar el equipo a una salida en un circuito diferente al utilizado para la conexión del receptor
- Consultar al distribuidor o a un técnico de radio/TV experimentado para obtener ayuda

Para cumplir con los requisitos de exposición a RF de la FCC / IC debe mantenerse una distancia de separación de 20 cm o más entre la antena de este dispositivo y las personas durante su funcionamiento. Para garantizar el cumplimiento, no se recomienda el funcionamiento a una distancia inferior a la indicada.

Declaración de la UE

Por la presente, Coulisse declara que el tipo de equipo de radio CM-03-E cumple la Directiva 2014/53/UE. El texto completo de la declaración de conformidad de la UE está disponible en la siguiente dirección de internet: support.motionblinds.com

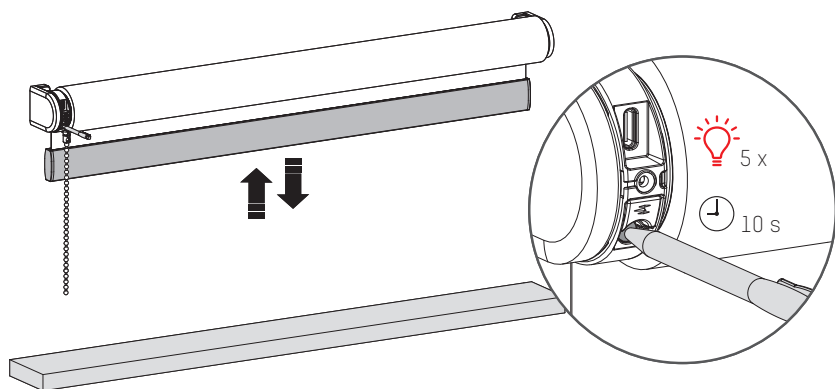
- Gama de frecuencias: 433 MHz, Potencia de RF: 2.32 dBm
- Gama de frecuencias BLE: 2402 - 2480 MHz, Potencia de RF: 3 dBm EIRP
- Gama de frecuencias Thread: 2405 - 2480 MHz, Potencia de RF: < 20 dBm EIRP

ISED-Konformität

Dieses Gerät enthält lizenzbefreite(n) Sender/ Empfänger lizenzbefreite(n) Sender/Empfänger, die den Anforderungen der Innovation, Science and Economic Development Canada' lizenzbefreite RSS(s). Der Betrieb unterliegt den folgenden zwei Bedingungen: Dieses Gerät darf keine Störungen verursachen. Dieses Gerät muss alle Interferenzen akzeptieren, einschließlich Störungen die einen unerwünschten Betrieb des Geräts verursachen können.

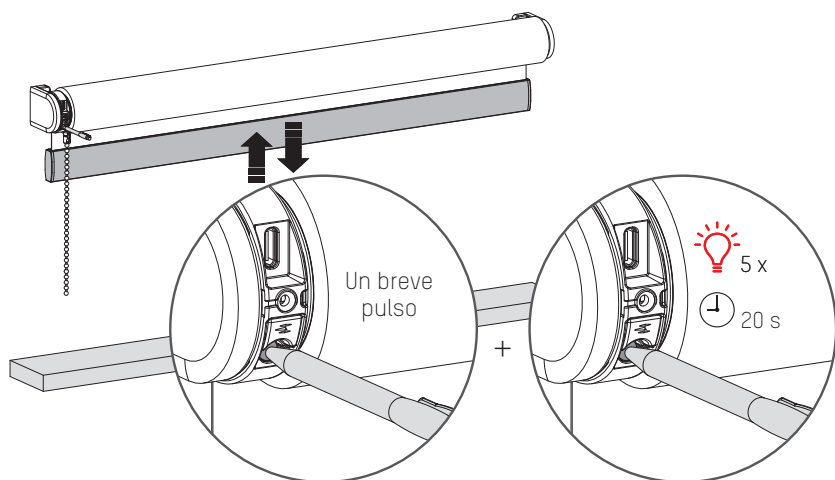
i Restablecer la conexión

Mantenga pulsado el botón de programación durante 10 segundos para borrar la conexión entre la cortina y la aplicación. La LED se ilumina 5 veces y la cortina sube y baja 1 vez para indicar que la conexión se ha restablecido. Ahora la cortina puede volver a conectarse.



i Restablecer la cortina

Al reiniciar la cortina se borran las posiciones finales y las conexiones de la cortina con las aplicaciones y los mandos a distancia. Pulse brevemente el botón de programación para activar el modo de programación. La cortina comenzará a subir y bajar. Mantenga pulsado el botón de reinicio/programación durante al menos 20 segundos para reiniciar la cortina. La cortina se detendrá dos veces. Después de la segunda parada, la cortina dará un paso más para indicar que se ha restablecido.



Manual de la FCC | FCC ID: ZY4CM03E IC:28117-CM03E

Información reglamentaria

1 Información de la FCC para el usuario

Este producto no contiene ninguna pieza que el usuario pueda reparar o reemplazar, y solo debe utilizarse con antenas aprobadas. Cualquier cambio o modificación al producto invalidará todas las certificaciones y aprobaciones reglamentarias aplicables.

2 Avisos de emisión electrónica de la FCC

Este dispositivo cumple con el apartado 15 de las Normas de la FCC.

El funcionamiento está sujeto a las dos condiciones siguientes:

1. Este dispositivo no puede causar interferencias perjudiciales.
2. Este dispositivo debe aceptar cualquier interferencia que reciba, incluida aquella que pueda causar un funcionamiento no deseado del dispositivo.

14 3 Declaración de interferencia de radiofrecuencia de la FCC

Este equipo ha sido sometido a las pruebas pertinentes y cumple con los límites establecidos para un dispositivo digital de clase B, conforme al apartado 15 de las Normas de la FCC. Estos límites están diseñados para proporcionar una protección razonable

contra interferencias perjudiciales, cuando el equipo funciona en un entorno comercial. Este equipo genera, utiliza y puede irradiar energía de radiofrecuencia y, si no se instala y utiliza conforme a las instrucciones, puede causar interferencias perjudiciales en las comunicaciones de radio.

El funcionamiento de este equipo en un área residencial puede causar interferencias perjudiciales, en cuyo caso el usuario tendrá que corregir la interferencia a su propio coste.

Si este equipo ocasiona interferencias perjudiciales en la recepción de la televisión o radio, lo cual puede determinarse encendiendo y apagando el equipo, se recomienda al usuario que intente corregir

la interferencia, adoptando una o más de las siguientes medidas:

- Reorientar o reubicar la antena de recepción
- Aumentar la separación entre el equipo y el

receptor

- Conectar el equipo a una salida en un circuito diferente al utilizado para la conexión del receptor
- Consultar al distribuidor o a un técnico de radio/TV experimentado para obtener ayuda

Para cumplir con los requisitos de exposición a RF de la FCC / IC debe mantenerse una distancia de separación de 20 cm o más entre la antena de este dispositivo y las personas durante su funcionamiento. Para garantizar el cumplimiento, no se recomienda el funcionamiento a una distancia inferior a la indicada.

Declaración de la UE

Por la presente, Coulisse declara que el tipo de equipo de radio CM-03-E cumple la Directiva 2014/53/UE. El texto completo de la declaración de conformidad de la UE está disponible en la siguiente dirección de internet: support.motionblinds.com

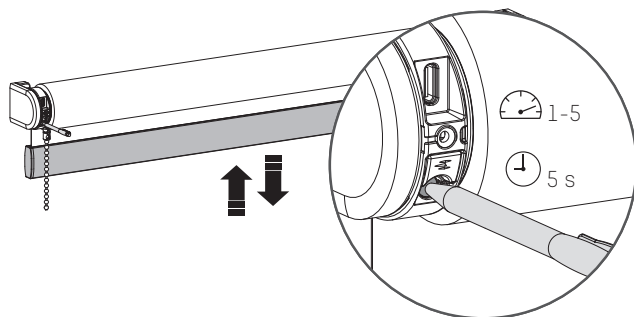
- Gama de frecuencias: 433 MHz, Potencia de RF: 2.32 dBm
- Gama de frecuencias BLE: 2402 - 2480 MHz, Potencia de RF: 3 dBm EIRP
- Gama de frecuencias Thread: 2405 - 2480 MHz, Potencia de RF: < 20 dBm EIRP

ISED-Konformität

Dieses Gerät enthält lizenzbefreite(n) Sender/ Empfänger lizenzbefreite(n) Sender/Empfänger, die den Anforderungen der Innovation, Science and Economic Development Canada' lizenzbefreite RSS(s). Der Betrieb unterliegt den folgenden zwei Bedingungen: Dieses Gerät darf keine Störungen verursachen. Dieses Gerät muss alle Interferenzen akzeptieren, einschließlich Störungen die einen unerwünschten Betrieb des Geräts verursachen können.

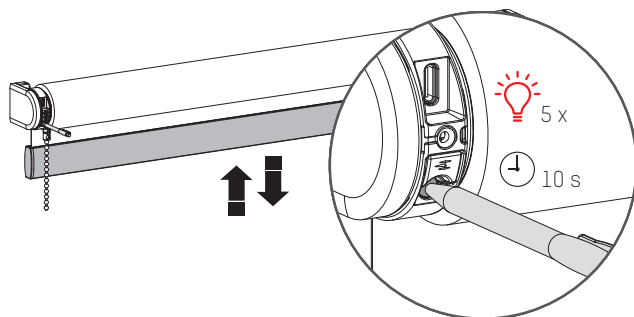
i Cambiar la velocidad del motor / nivel sonoro

Mantenga pulsado el botón de programa durante 5 segundos para modificar la velocidad del motor / el nivel sonoro. La cortina sube y baja 1 vez para indicar que la velocidad se ha ajustado a 1 de los 5 niveles. Atención: suelte el botón después de 5 segundos cuando la persiana suba y baje para evitar que se restablezca la conexión.



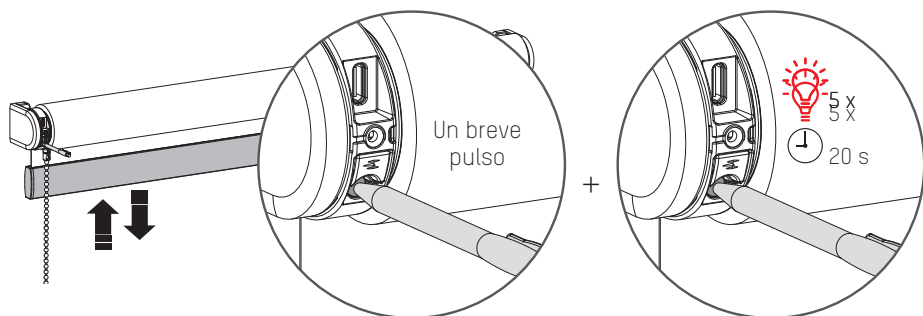
i Restablecer la conexión

Mantenga pulsado el botón de programación durante 10 segundos para borrar la conexión entre la cortina y la aplicación. La LED se ilumina 5 veces y la cortina sube y baja 1 vez para indicar que la conexión se ha restablecido. Ahora la cortina puede volver a conectarse.



i Restablecer la cortina

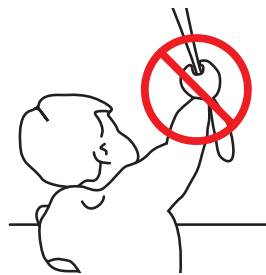
Al reiniciar la cortina se borran las posiciones finales y las conexiones de la cortina con las aplicaciones y los mandos a distancia. Pulse brevemente el botón de programación para activar el modo de programación. La cortina comenzará a subir y bajar. Mantenga pulsado el botón de reinicio/programación durante al menos 20 segundos para reiniciar la cortina. La cortina se detendrá dos veces. Después de la segunda parada, la cortina dará un paso más para indicar que se ha restablecido.



OSTRZEŻENIE

Prosimy dokładnie przeczytać instrukcję przed zamontowaniem i użytkowaniem produktu. Montaż może być wykonywany przez osoby nieposiadające uprawnień zawodowych. Wyłącznie do użytku wewnątrz pomieszczeń.

- Sznurki, łańcuszki i taśmy będące elementem składowym rolety stanowią zagrożenie dla dzieci. Ryzyko uduszenia.
- Aby uniknąć zagrożenia, trzymaj sznurki poza zasięgiem dzieci.
- Sznurki mogą owinać się wokół szyi dziecka.
- Należy odsunąć łóżka, kojce i meble od sznurków przestroni okiennych.
- Nie związuj sznurków.
- Upewnij się, że sznurki nie splączą się formując pętlę.



Czyszczenie

Podczas czyszczenia urządzenia należy przestrzegać następujących reguł:

- Używaj wilgotnej, miękkiej szmatki, Nie dopuszczaj do zawilgocenia lub zmożenia otworów.
- Nie używaj aerozoli, rozpuszczalników, alkoholi oraz materiałów ściernych.

Pomoc techniczna

Nie naprawiaj samodzielnie. Nie próbuj otwierać urządzenia lub go rozmontowywać. Grozi porażeniem prądem i utratą gwarancji. Brak części przeznaczonych do samodzielnego serwisowania.

Serwis gwarancyjny

Proszę postępować zgodnie z instrukcją. Jeżeli produkt wydaje się być uszkodzony lub nie działa prawidłowo, skontaktuj się ze swoim sprzedawcą, aby rozpocząć procedurę reklamacyjną.

Recykling

Zgodnie z etykietą, tego produktu nie należy wyrzucać razem z innymi odpadami z gospodarstw domowych w całej UE. Aby zapobiec możliwym szkodom dla środowiska lub zdrowia ludzkiego spowodowanym niekontrolowanym usuwaniem odpadów, poddaj je recyklingowi w celu promowania zrównoważonego ponownego wykorzystania zasobów. Aby zwrócić zużyte urządzenie, skorzystaj z systemów zwrotu i odbioru lub skontaktuj się ze sprzedawcą, u którego produkt został zakupiony. Pomoże Ci zabrać ten produkt do bezpiecznego dla środowiska recyklingu.

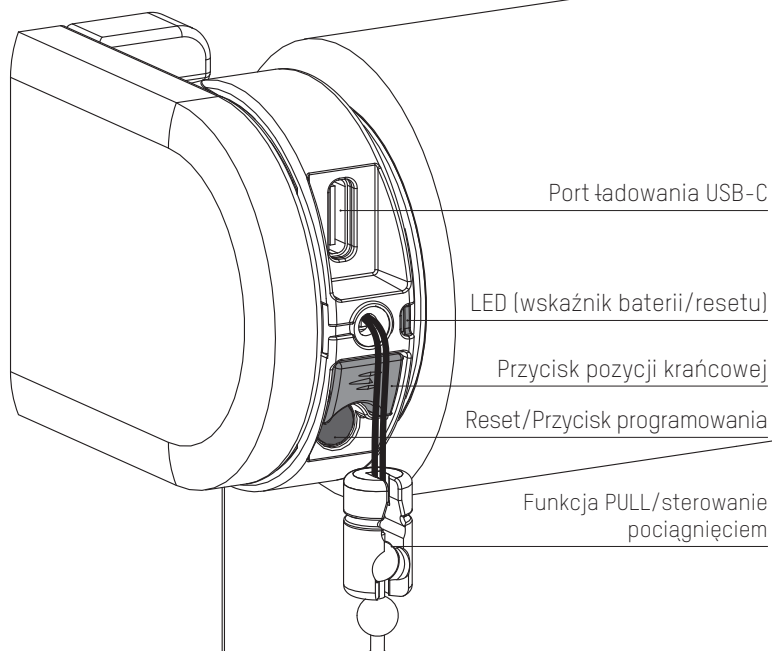


IP 20



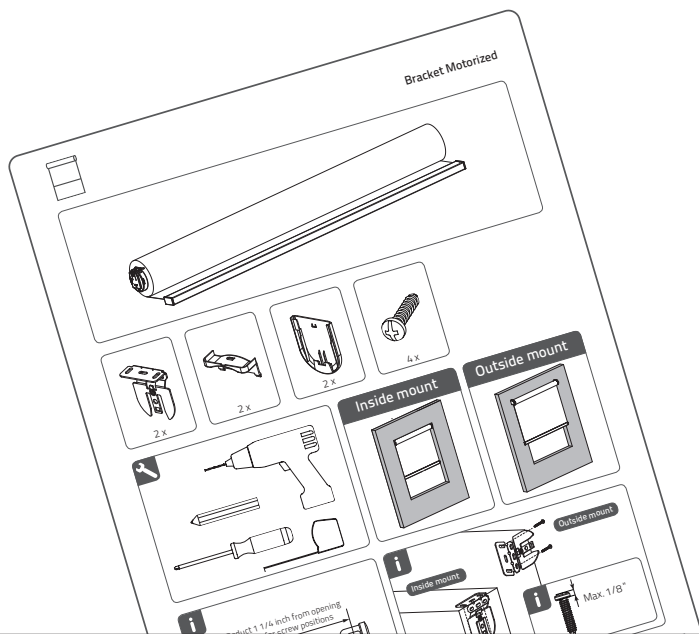
Conforms to
UL Std. 325
Certified to
CSA Std. C22.2#247

i Przyciski i funkcje



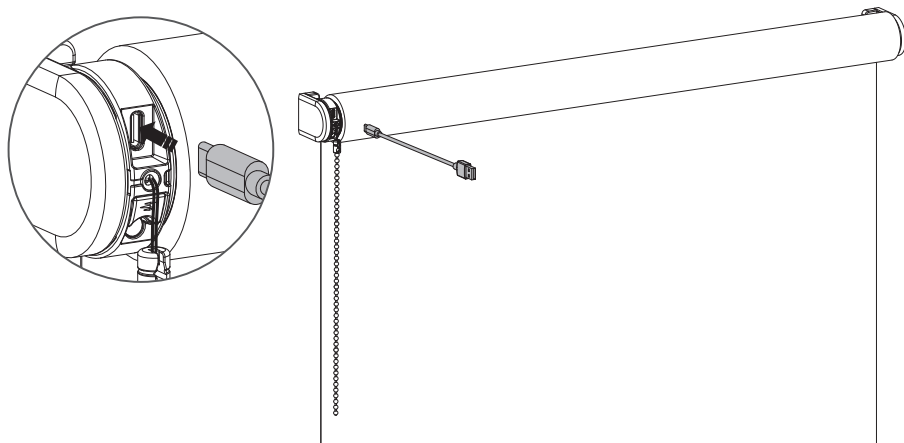
1 Instalowanie rolety

Aby zainstalować roletę, należy postępować zgodnie z instrukcją montażu.



2 Aktywowanie rolety

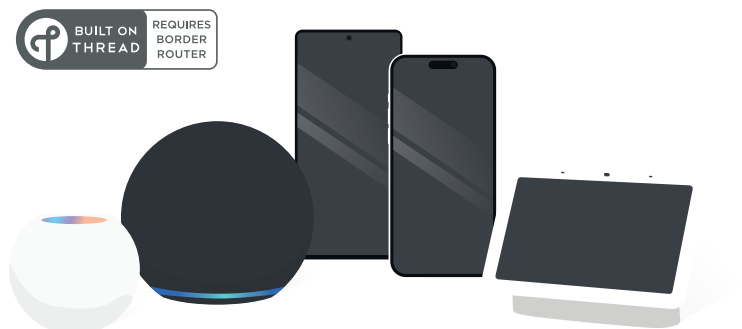
Aby aktywować roletę, należy podłączyć ją do standardowego źródła zasilania USB-C 5V za pomocą kabla USB-C. Może to być na przykład zasilacz smartfona.



3 Dodaj Eve MotionBlinds do swojej platformy

Dodaj Eve MotionBlinds do wybranej platformy i upewnij się, że masz kompatybilny router Thread Border.

Więcej informacji: motionblinds.com/eve/matter

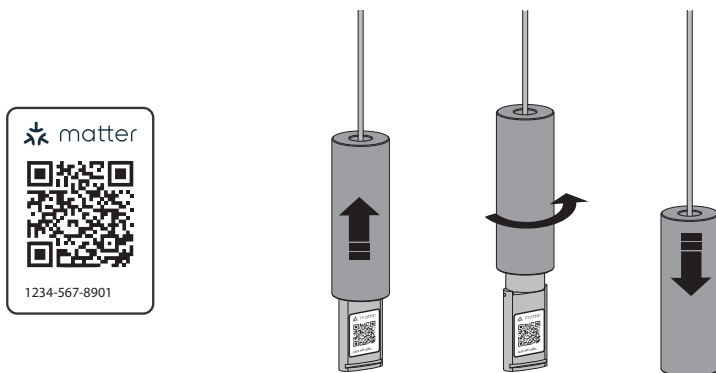


4 Konfiguracja przestony

Teraz możesz łatwo dodać Eve MotionBlinds do swojego inteligentnego domu w zaledwie kilku krokach, skanując kod konfiguracji Matter za pomocą aplikacji swojej ulubionej platformy. Zeskanuj kod konfiguracji Matter, aby dodać go do swojej platformy.

Aby rolety Eve motionblinds działały prawidłowo, muszą mieć zaprogramowane pozycje krańcowe. Pozycje krańcowe można zaprogramować na 2 sposoby. W aplikacji Eve lub za pomocą przycisku programowania położenia krańcowych na roletcie. (Krok 5)

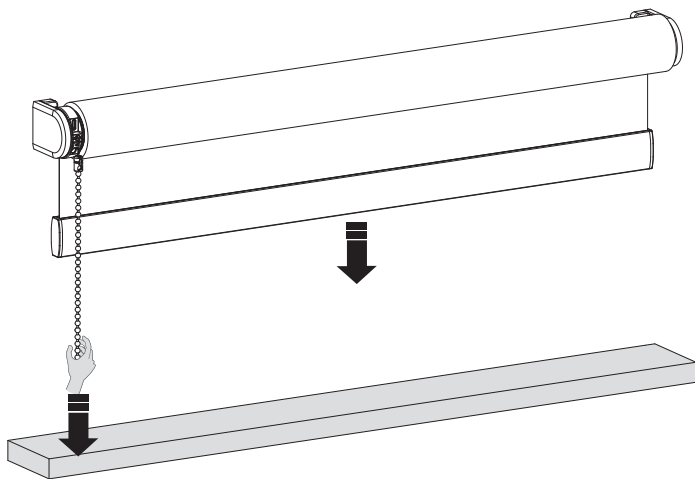
Po zeskanowaniu można ukryć kod konfiguracji.



5 Ustawianie pozycji końcowych

Oprócz ustawiania pozycji końcowych za pomocą aplikacji można je ustawiać, naciskając przycisk na silniku. Pociągnij i przytrzymaj łańcuszek, aż roleta znajdzie się w dolnym położeniu. Jeśli roleta porusza się w przeciwnym kierunku, zwolnij łańcuszek, pociągnij i przytrzymaj ponownie.

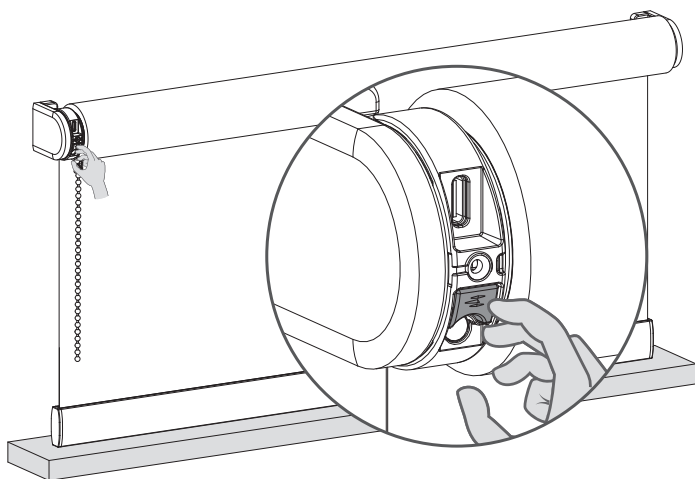
Reguluj aż do osiągnięcia pożądanej pozycji dolnej.



6

6 Zapisywanie dolnej pozycji końcowej

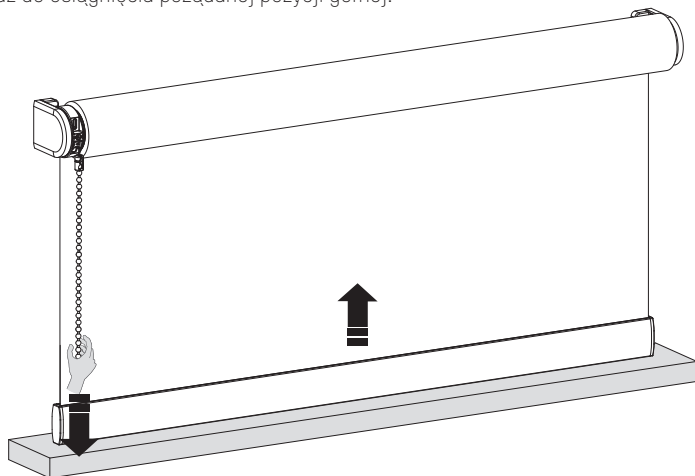
Kiedy roleta znajdzie się w dolnej pozycji, przytrzymaj przycisk, aż roleta poruszy w górę i w dół, aby zapisać dolną pozycję.



7 Ustawienie rolety w górnej pozycji końcowej

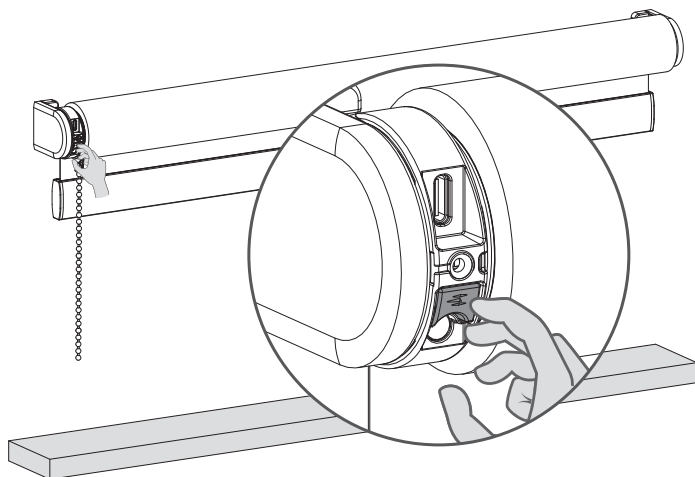
Pociągnij i przytrzymaj łańcuszek, aż roleta osiągnie górną pozycję końcową. Jeśli roleta porusza się w przeciwnym kierunku, zwolnij łańcuszek, pociągnij i przytrzymaj ponownie.

Reguluj aż do osiągnięcia pożądanej pozycji górnej.



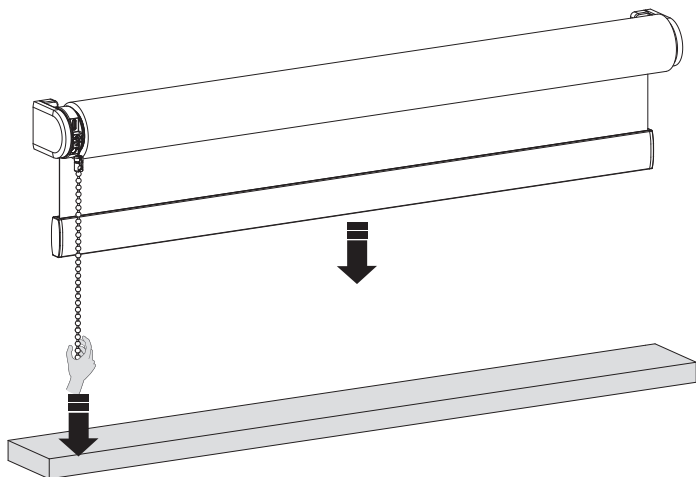
8 Zapisywanie górnej pozycji końcowej

Kiedy roleta znajdzie się w górnej pozycji, przytrzymaj przycisk, aż roleta poruszy się w górę i w dół, aby zapisać górną pozycję.



9 Dostosowywanie pozycji końcowych

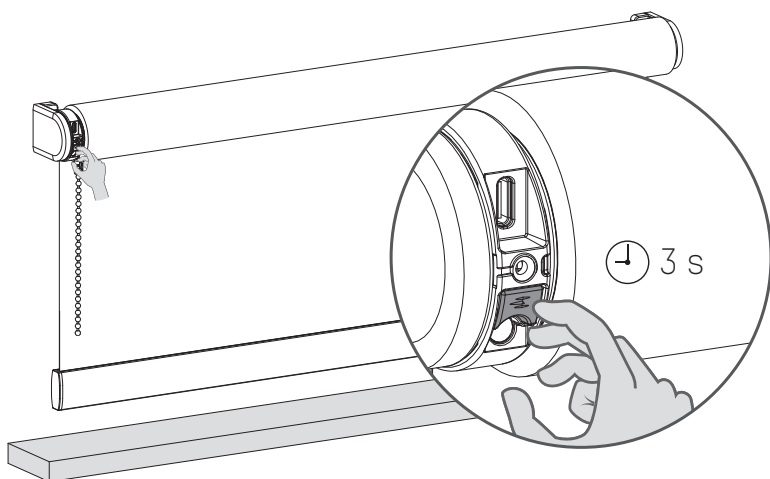
Aby wyregulować jedną z pozycji końcowych, należy umieścić roletę w pozycji końcowej, którą chcesz wyregulować pociągnij i poczekaj aż roleta osiągnie pozycję końcową, którą chcesz wyregulować.



8

10 Usuwanie pozycji końcowej (dolnej/górnej)

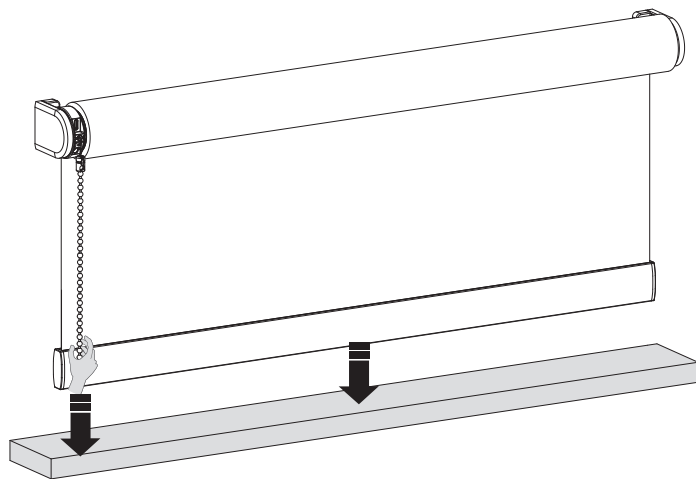
Przytrzymaj przycisk programowania pozycji końcowej przez 3 sekundy, aby usunąć swoją pozycję (dolną/ górną). Roleta podniesie się i opuści raz, aby potwierdzić, że twoja pozycja końcowa została usunięta. Można teraz ustawić nową pozycję (dolną/ górną).



11 Ustawianie nowej pozycji dolnej

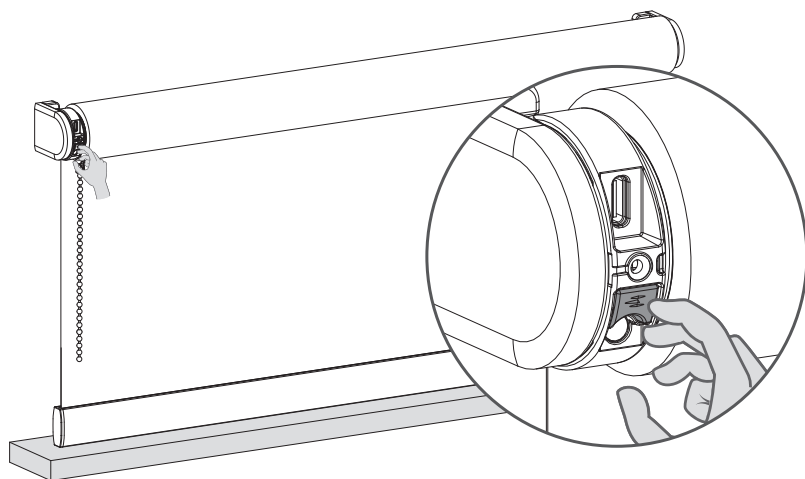
Pociągnij i przytrzymaj łańcuszek, aż roleta znajdzie się w dolnym położeniu. Jeśli roleta porusza się w przeciwnym kierunku, zwolnij łańcuszek, pociągnij przytrzymaj ponownie.

Reguluj aż do osiągnięcia pożądanego położenia dolnego.



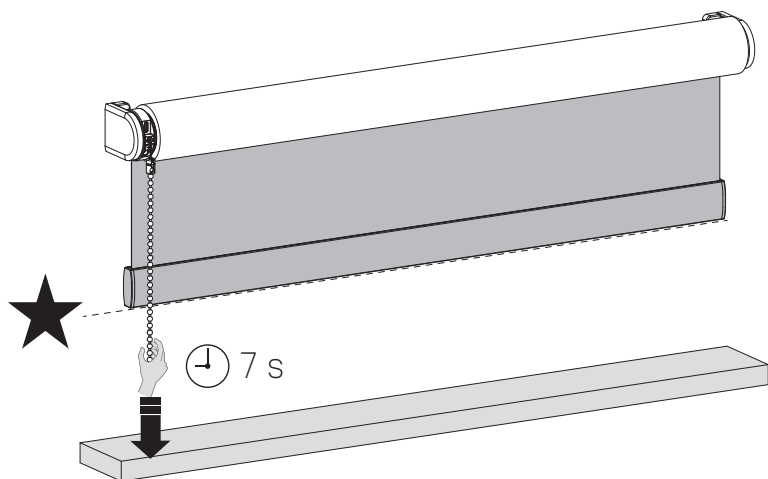
12 Zapisywanie swojej (dolnej) pozycji

Kiedy roleta znajdzie się w dolnej pozycji, przytrzymaj przycisk, aż roleta poruszy się w górę i w dół, aby zapisać dolną pozycję.



13 Zapisywanie pozycji ulubionej

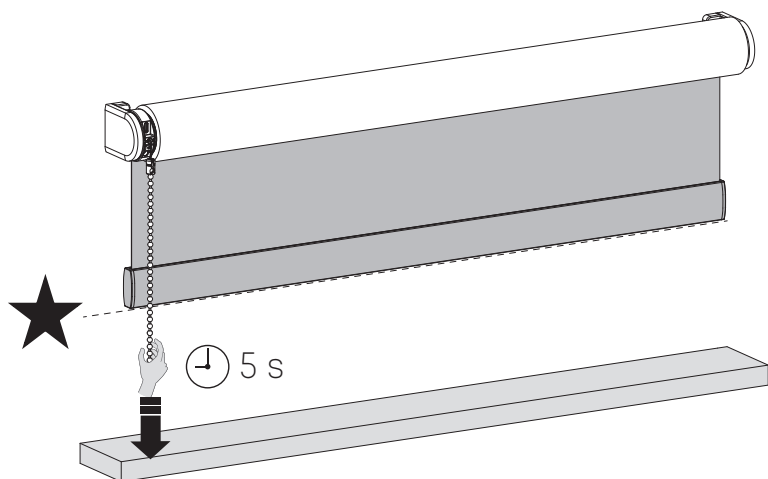
Gdy ulubiona pozycja nie jest zaprogramowana, należy ustawić roletę w ulubionej pozycji. Kiedy roleta znajdzie się w ulubionej pozycji, przytrzymaj przycisk, aż roleta poruszy się w górę i w dół (około 7 sekund)



10

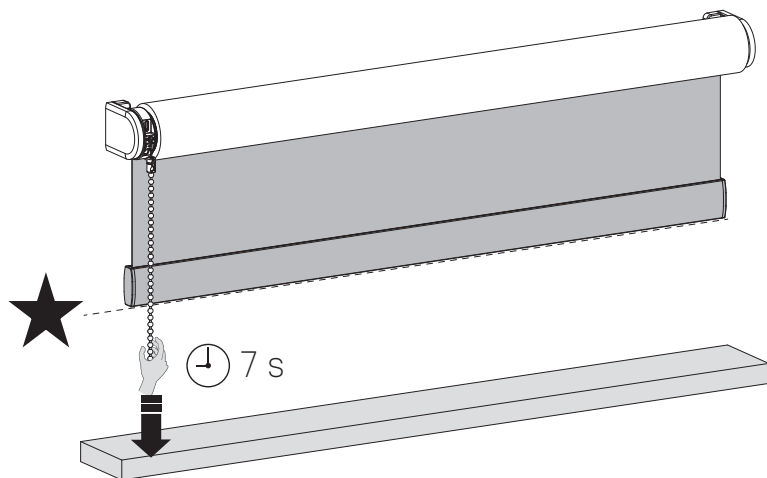
14 Ustawienie rolety w ulubionej pozycji

Gdy roleta nie jest ustawiona w ulubionej pozycji, przytrzymaj przycisk przez 5 sekund, a roleta przesunie się do ulubionej pozycji.



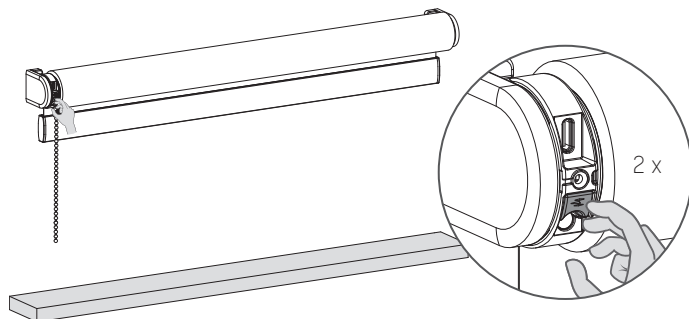
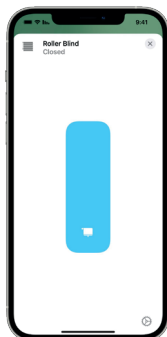
15 Zapisywanie nowej ulubionej pozycji

Aby usunąć poprzednią ulubioną pozycję należy umieścić roletę w aktualnej ulubionej pozycji. (Krok 10) Następnie pociągnij i przytrzymaj, aż roleta poruszy się w górę i w dół. (Okolo 7 sekund) Ulubiona pozycja jest teraz usunięta. Wykonaj krok 9, aby ustawić nową ulubioną pozycję.



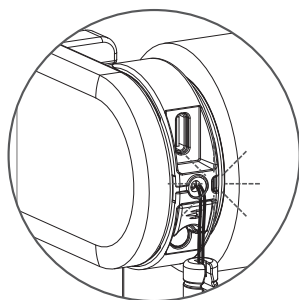
i Zmiana kierunku sterowania

Jeśli pozycja rolety w aplikacji jest przeciwna do twojej rolety, zmień kierunek sterowania, naciskając przycisk Pozycja końcowa dwa razy w ciągu jednej sekundy.

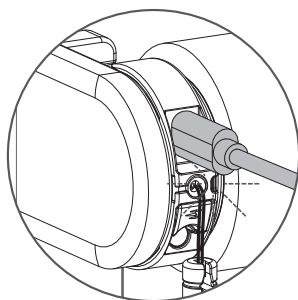


i Ładowanie rolety

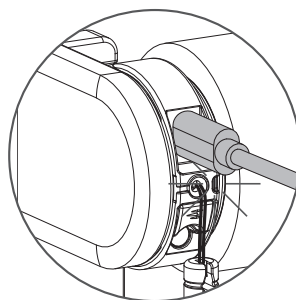
Aby naładować roletę, należy podłączyć ją do standardowego źródła zasilania USB-C 5V za pomocą kabla USB-C. Może to być na przykład zasilacz smartfona. Ładuj co najmniej raz w roku.



Podczas pracy dioda LED
miga na czerwono;
naładować baterię



Dioda LED miga na
zielono;
ładowanie baterii

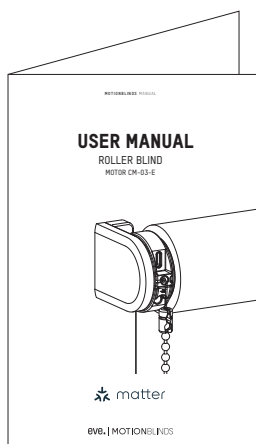


Dioda LED świeci ciągle
na zielono; bateria w
pełni naładowana

12

i Więcej informacji

Zeskanuj poniższy QR kod, aby zobaczyć szczegółową instrukcję obsługi, z dodatkowymi informacjami i opcjami.



Podręcznik użytkownika
rtube.nl/red1959

Ważne instrukcje dotyczące bezpieczeństwa

OSTRZEŻENIE: Aby zmniejszyć ryzyko odniesienia poważnych obrażeń lub śmierci, ważne jest, aby postępować zgodnie z poniższymi instrukcjami.

- Przeczytaj i zastosuj się do wszystkich wskazówek dotyczących instalacji.
- To urządzenie może być używane przez dzieci w wieku 8 lat i powyżej, osoby nie w pełni sprawne fizycznie lub umysłowo, bądź osoby niedoświadczone, gdy użytkowanie odbywa się pod nadzorem lub też użytkownicy zostali zapoznani z instrukcją bezpiecznego użytkowania produktu i rozumieją związane z tym zagrożenia. Dzieci nie powinny bawić się urządzeniem. Czyszczenie i konserwacja urządzenia nie powinny być wykonywane przez dzieci pozbawione nadzoru.
- Nie pozwalaj dzieciom bawić się elementami sterującymi. Piloty również należy trzymać z dala od dzieci.
- Często sprawdzaj stan urządzenia oraz zwracaj uwagę na oznaki zużycia lub uszkodzenia kabli i sprężyn. Nie używaj produktu, jeśli niezbędna jest jego naprawa lub regulacja.
- Ta instrukcja obsługi jest również dostępna na stronie internetowej.
- Napęd powinien zostać odłączony od źródła zasilania na czas czyszczenia, konserwacji bądź wymiany części.
- Poziom hałasu emitowanego przez urządzenie jest równy lub mniejszy niż 70 dB (A).
- Tylko do użytku domowego.
- Odłącz napęd od źródła zasilania lub wyłącz automatyczne sterowanie podczas konserwacji, bądź mycia okien.
- Podczas obsługi przełącznika upewnij się, że inne osoby znajdują się z dala od urządzenia.
- Nie używaj urządzenia podczas konserwacji, np. gdy w pobliżu czyszczone są okna.
- Silnik rurowy może być dostarczany tylko z zabezpieczeniem bardzo niskiego napięcia odpowiadającego oznaczeniu na urządzeniu.
- Maksymalna temperatura pracy silnika wynosi +55°C. Maksymalna temperatura ładowania akumulatora wynosi +45°C.
- Urządzenie zawiera baterie, których nie można wymieniać.

Ważne instrukcje dotyczące instalacji

OSTRZEŻENIE: Ważne instrukcje bezpieczeństwa. Stosuj się do instrukcji, ponieważ niewłaściwa instalacja może prowadzić do ciężkich urazów.

- Silnik ten może być używany tylko z miękkim materiałem części napędzanych.
- Niebezpieczne, niezabezpieczone ruchome części napędu powinny być zainstalowane powyżej 2,5 m od podłogi lub innej poziomej powierzchni, która mogłaby zapewnić dostęp do urządzenia.
- Zainstaluj zwalnianie ręczne na wysokości mniejszej niż 1,8 m.
- Element uruchamiający przełącznik powinien znajdować się w bezpośrednim zasięgu części napędzanej, ale z dala od ruchomych części. Powinien być zainstalowany na wysokości minimum 1,5 m i być niedostępny dla ogółu.
- Masa i wymiar napędu muszą być kompatybilne z momentem obrotowym i czasem pracy.
- Naprawione kontrolki muszą być wyraźnie widoczne po instalacji.
- Napęd musi być zgodny z momentem obrotowym 1.1N.m i czasem pracy (12 min).
- Minimalna średnica rury: $\varnothing 25$ mm.
- Napęd jest przeznaczony do montażu na wysokości co najmniej 2,5 m nad podłogą lub jakąkolwiek inną dostępną powierzchnią poziomą.
- Wszystkie bezpieczniki muszą być wbudowane na stałe w okablowanie zgodnie z obowiązującymi zasadami.
- Urządzenie to może być zasilane wyłącznie bezpiecznym, bardzo niskim napięciem, odpowiadającym oznaczeniom na urządzeniu.
- Przed zainstalowaniem napędu, usuń niepotrzebne przewody i komponenty.

Instrukcja FCC

FCC ID: ZY4CM03E

IC:28117-CM03E

Informacje dotyczące przepisów

1 Informacja dla Użytkownika FCC

Ten produkt nie zawiera żadnych elementów, które mogą być naprawiane przez użytkownika samodzielnie i powinien być używany tylko z licencjonowanymi antenami. Wszelkie samodzielnie dokonywane zmiany lub modyfikacje produktu unieważnią wszystkie obowiązujące certyfikaty i zezwolenia.

2 FCC – uwagi dotyczące emisji

To urządzenie działa zgodnie z regulacjami części 15 przepisów FCC. Sterowanie tego urządzenia spełnia warunki:

- (1) Urządzenie to nie wywiera szkodliwego wpływu na środowisko
- (2) urządzenie to rejestruje wszelkie odbierane zakłócenia, w tym zakłócenia, które mogą powodować niepożądane działanie

14 3 Oświadczenie FCC dotyczące zakłóceń częstotliwości radiowych

Niniejsze urządzenie zostało przetestowane i uznane za zgodne z ograniczeniami określonymi dla urządzeń cyfrowych klasy B, zgodnie z częścią 15 przepisów FCC. Ograniczenia te mają na celu zapewnienie rozsądnej ochrony przed szkodliwymi zakłóceniami podczas pracy urządzenia w środowisku komercyjnym. Sprzęt ten generuje, użytkuje i może emitować energię o częstotliwości radiowej, a jeśli nie jest zainstalowany i używany zgodnie z instrukcjami, może powodować zakłócenia komunikacji radiowej. Działanie tego sprzętu w obszarze mieszkalnym może powodować zakłócenia, w którym to przypadku użytkownik będzie musiał skorygować zakłócenia na własny koszt. Jeśli sprzęt ten powoduje zakłócenia w odbiorze radiowym i telewizyjnym, co można stwierdzić, wyłączając i włączając urządzenie, użytkownik jest zachęcany do próby usunięcia zakłóceń za pomocą jednego z następujących środków:

- zmienić orientację lub lokalizację anteny odbiorczej
- zwiększyć odległość dzielącą sprzęt i odbiornik
- podłączyć urządzenie do gniazda w obwodzie innym niż ten, do którego podłączony jest odbiornik
- skonsultować się ze sprzedawcą lub doświadczonym technikiem radiowo-telewizyjnym w celu uzyskania pomocy

Aby spełnić wymagania FCC / IC dotyczące narażenia na częstotliwości radiowe, należy zachować odległość 20 cm lub więcej między anteną tego urządzenia a osobami podczas pracy urządzenia. między anteną tego urządzenia a osobami podczas pracy urządzenia. Aby zapewnić Aby zapewnić zgodność z przepisami, nie zaleca się używania urządzenia bliżej niż w tej odległości.

Deklaracja UE

Niniejszym Coulisse oświadcza, że urządzenie radiowe typu CMD-03/CM-03/CM-05/CM-45 jest zgodne z dyrektywą 2014/53/UE. Pełny tekst deklaracji zgodności UE dostępny jest na stronie support.motionblinds.com

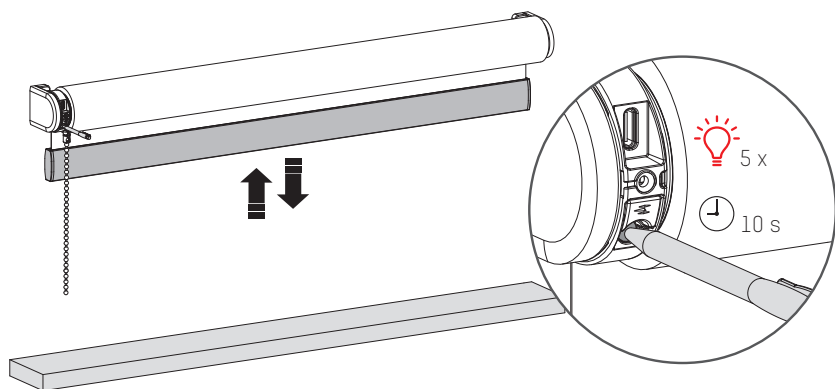
- Zakres częstotliwości: 433 MHz, moc RF: 2,32 dBm
- Zakres częstotliwości BLE: 2402 - 2480 Hz, Moc RF: 3 dBm EIRP
- Zakres częstotliwości Thread: 2405 - 2480 MHz, Moc RF: < 20 dBm EIRP

Zgodność z ISED

To urządzenie zawiera zwolnione z licencji nadajnik(i)/odbiornik(i), które są zgodne z RSS(i) zwolnionymi z licencji Kanady ds. innowacji, nauki i rozwoju gospodarczego. Działanie urządzenia jest uzależnione od spełnienia dwóch poniższych warunków: To urządzenie nie może powodować zakłóceń. To urządzenie musi przyjmować wszelkie zakłócenia, w tym zakłócenia, które mogą powodować niepożądane działanie urządzenia.

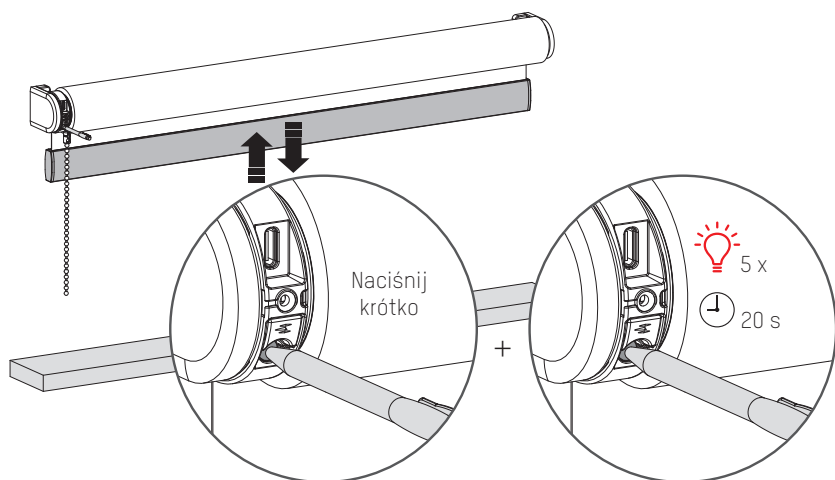
i Resetowanie połączenia

Przytrzymaj przycisk programowania przez 10 sekund, aby usunąć połączenie między roletą a aplikacją. Dioda LED zaświeci się 5 razy, a roleta wykona ruch w górę i w dół, aby zasygnalizować, że połączenie zostało zresetowane. Teraz można ponownie nawiązać połączenie z roletą.



i Resetowanie silnika

Resetowanie silnika skutkuje wykasowaniem pozycji krańcowych oraz połączeń między przesłoną, aplikacjami i pilotami. Krótko naciśnij przycisk programowania aby aktywować tryb programowania. Przesłona zacznie wykonywać małe ruchy góra - dół. Aby zresetować silnik, przytrzymaj przycisk resetowania/programowania przez minimum 20 sekund. Przesłona dwukrotnie zatrzyma się na chwilę. Po drugim zatrzymaniu wykona jeszcze jeden ruch, który oznacza, że resetowanie zakończyło się sukcesem.



Instrukcja FCC

FCC ID: ZY4CM03E

IC:28117-CM03E

Informacje dotyczące przepisów

1 Informacja dla Użytkownika FCC

Ten produkt nie zawiera żadnych elementów, które mogą być naprawiane przez użytkownika samodzielnie i powinien być używany tylko z licencjonowanymi antenami. Wszelkie samodzielnie dokonywane zmiany lub modyfikacje produktu unieważnią wszystkie obowiązujące certyfikaty i zezwolenia.

2 FCC – uwagi dotyczące emisji

To urządzenie działa zgodnie z regulacjami części 15 przepisów FCC. Sterowanie tego urządzenia spełnia warunki:

- (1) Urządzenie to nie wywiera szkodliwego wpływu na środowisko
- (2) urządzenie to rejestruje wszelkie odbierane zakłócenia, w tym zakłócenia, które mogą powodować niepożądane działanie

14 3 Oświadczenie FCC dotyczące zakłóceń częstotliwości radiowych

Niniejsze urządzenie zostało przetestowane i uznane za zgodne z ograniczeniami określonymi dla urządzeń cyfrowych klasy B, zgodnie z częścią 15 przepisów FCC. Ograniczenia te mają na celu zapewnienie rozsądnej ochrony przed szkodliwymi zakłóceniami podczas pracy urządzenia w środowisku komercyjnym. Sprzęt ten generuje, użytkuje i może emitować energię o częstotliwości radiowej, a jeśli nie jest zainstalowany i używany zgodnie z instrukcjami, może powodować zakłócenia komunikacji radiowej. Działanie tego sprzętu w obszarze mieszkalnym może powodować zakłócenia, w którym to przypadku użytkownik będzie musiał skorygować zakłócenia na własny koszt. Jeśli sprzęt ten powoduje zakłócenia w odbiorze radiowym i telewizyjnym, co można stwierdzić, wyłączając i włączając urządzenie, użytkownik jest zachęcany do próby usunięcia zakłóceń za pomocą jednego z następujących środków:

- zmienić orientację lub lokalizację anteny odbiorczej
- zwiększyć odległość dzielącą sprzęt i odbiornik
- podłączyć urządzenie do gniazda w obwodzie innym niż ten, do którego podłączony jest odbiornik
- skonsultować się ze sprzedawcą lub doświadczonym technikiem radiowo-telewizyjnym w celu uzyskania pomocy

Aby spełnić wymagania FCC / IC dotyczące narażenia na częstotliwości radiowe, należy zachować odległość 20 cm lub więcej między anteną tego urządzenia a osobami podczas pracy urządzenia. między anteną tego urządzenia a osobami podczas pracy urządzenia. Aby zapewnić Aby zapewnić zgodność z przepisami, nie zaleca się używania urządzenia bliżej niż w tej odległości.

Deklaracja UE

Niniejszym Coulisse oświadcza, że urządzenie radiowe typu CMD-03/CM-03/CM-05/CM-45 jest zgodne z dyrektywą 2014/53/UE. Pełny tekst deklaracji zgodności UE dostępny jest na stronie support.motionblinds.com

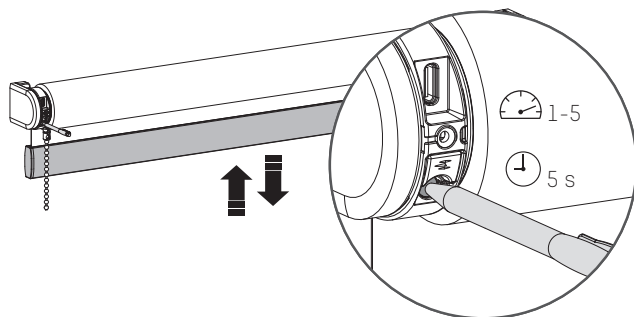
- Zakres częstotliwości: 433 MHz, moc RF: 2,32 dBm
- Zakres częstotliwości BLE: 2402 - 2480 Hz, Moc RF: 3 dBm EIRP
- Zakres częstotliwości Thread: 2405 - 2480 MHz, Moc RF: < 20 dBm EIRP

Zgodność z ISED

To urządzenie zawiera zwolnione z licencji nadajnik(i)/odbiornik(i), które są zgodne z RSS(i) zwolnionymi z licencji Kanady ds. innowacji, nauki i rozwoju gospodarczego. Działanie urządzenia jest uzależnione od spełnienia dwóch poniższych warunków: To urządzenie nie może powodować zakłóceń. To urządzenie musi przyjmować wszelkie zakłócenia, w tym zakłócenia, które mogą powodować niepożądane działanie urządzenia.

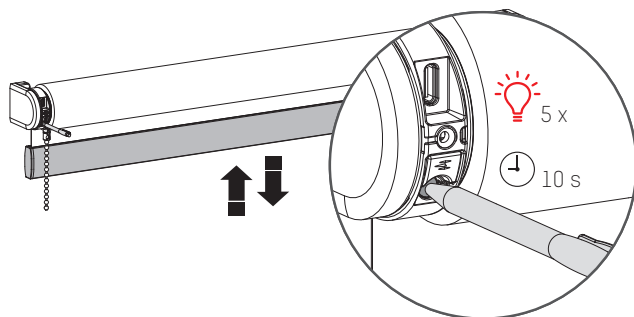
i Zmiana prędkości silnika / poziomu dźwięku

Przytrzymaj przycisk programu przez 5 sekund, aby zmienić prędkość silnika / poziom dźwięku. Roleta wykona 1 krok w górę i w dół, aby wskazać, że prędkość została ustawiona na 1 z 5 poziomów. Ostrzeżenie: zwolnij przycisk po 5 sekundach, gdy żaluzja porusza się w górę i w dół, aby uniknąć zresetowania połączenia.



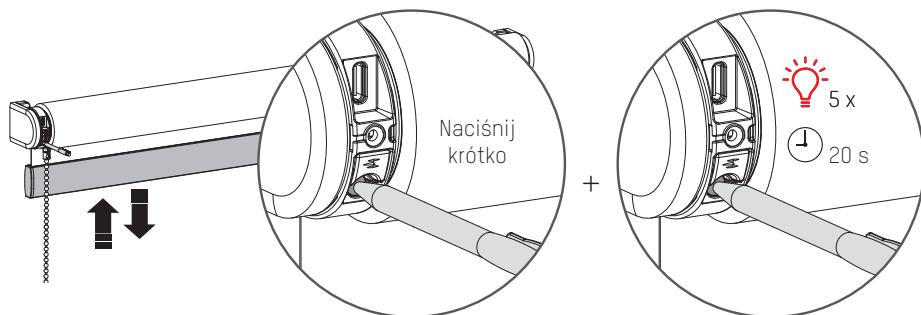
i Resetowanie połączenia

Przytrzymaj przycisk programowania przez 10 sekund, aby usunąć połączenie między roletą a aplikacją. Dioda LED zaświeci się 5 razy, a roleta wykona ruch w górę i w dół, aby zasygnalizować, że połączenie zostało zresetowane. Teraz można ponownie nawiązać połączenie z roletą.



i Resetowanie silnika

Resetowanie silnika skutkuje wykasowaniem pozycji krańcowych oraz połączeń między przestoną, aplikacjami i pilotami. Krótko naciśnij przycisk programowania aby aktywować tryb programowania. Przestona zacznie wykonywać małe ruchy góra - dół. Aby zresetować silnik, przytrzymaj przycisk resetowania/programowania przez minimum 20 sekund. Przestona dwukrotnie zatrzyma się na chwilę. Po drugim zatrzymaniu wykona jeszcze jeden ruch, który oznacza, że resetowanie zakończyło się sukcesem.





room:

notes:
